



# RL-J100

## PARTS LIST

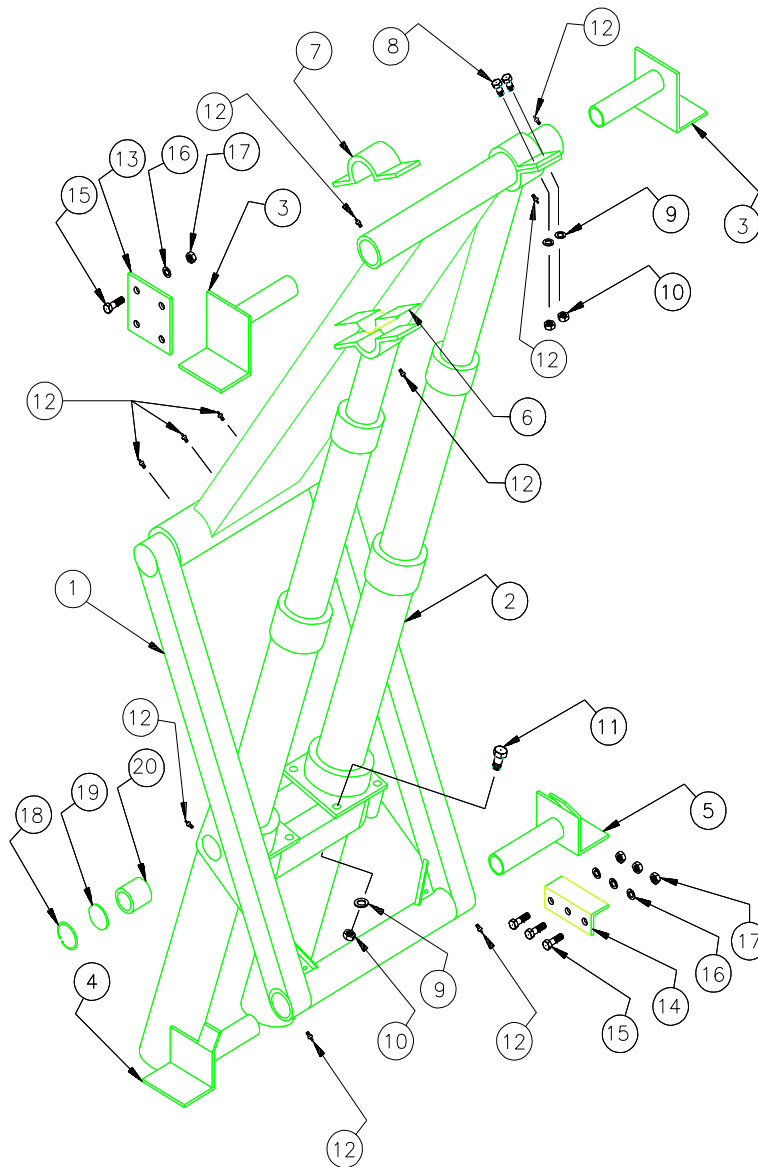
Hoist Serial number 4208 to \_\_\_\_\_

IF YOUR HOIST DOES NOT FALL WITHIN THE SERIAL NUMBER BREAKS,  
YOU WILL NEED TO CONTACT HARSH TO GET THE APPROPRIATE MANUAL

Harsh International, Inc.  
600 Oak Avenue  
Eaton, CO 80615  
(970) 454-2291  
Fax: (970) 454-3491

Price: \$2.50

Parts book number: **102694F**



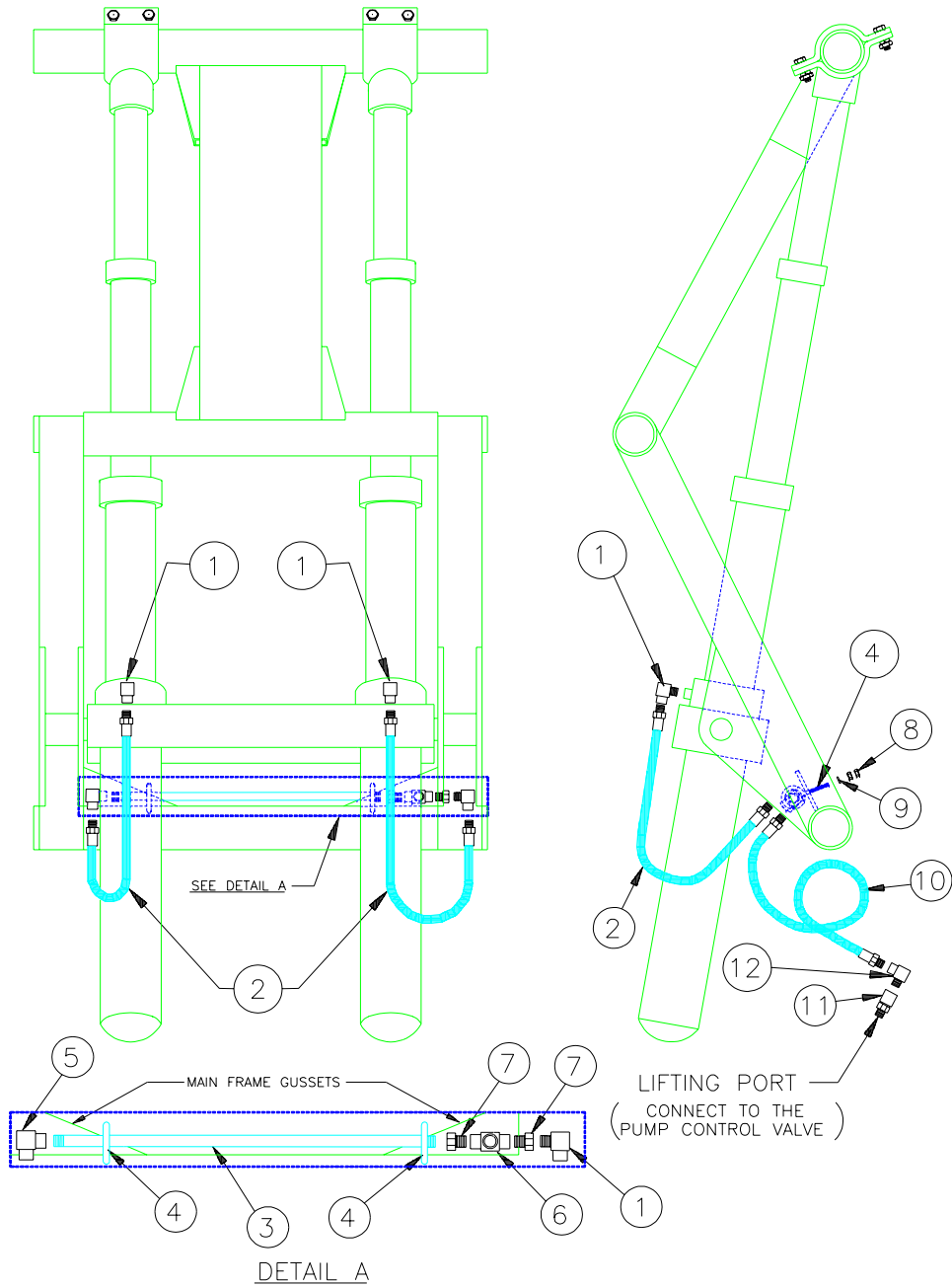
### J100 HOIST SCISSOR ASSEMBLY

ITEM	PART #	QTY	DESCRIPTION	ITEM	PART #	QTY	DESCRIPTION
1	A15456	1	SCISSOR ASSEMBLY	12	100037	11	GREASE ZERK, DRIVE-IN
*2	A1185	2	CYLINDER ASSEMBLY	13	10906	2	STRINGER ATTACHMENT PLATE
3	A10903	2	UPPER MOUNT	14	10911	2	ANGLE, FRAME ATTACHMENT
4	A10908-1	1	LOWER MOUNT	15	100230	14	SCREW, HEX HD CAP
5	A10908-2	1	LOWER MOUNT	16	100272	14	WASHER, LOCK
6	12915	2	BUSHING, BRASS	17	100250	14	NUT, HEX
7	10898	2	CYLINDER TOP MOUNT	18	100440	2	SNAP RING
8	100240	8	SCREW, HEX HD CAP	19	15818	2	PLATE, GREASE RETAINING
9	100271	16	WASHER, LOCK	20	15454	2	BUSHING
10	100254	16	NUT, HEX	*21	A9779	1	DECAL KIT
11	300898C	8	SCREW, HEX HD CAP				

**NOTE:** \*2 - INCLUDES CYLINDER ASSY, CYLINDER TOP MOUNT, BRASS BUSHING, SCREWS  
LOCK WASHERS AND NUTS .

\*21 - A9779 INCLUDES ALL DECALS USED ON HOIST.

SOME HOISTS MAY HAVE SELF TAPPING ZERKS IN VARIOUS LOCATIONS.

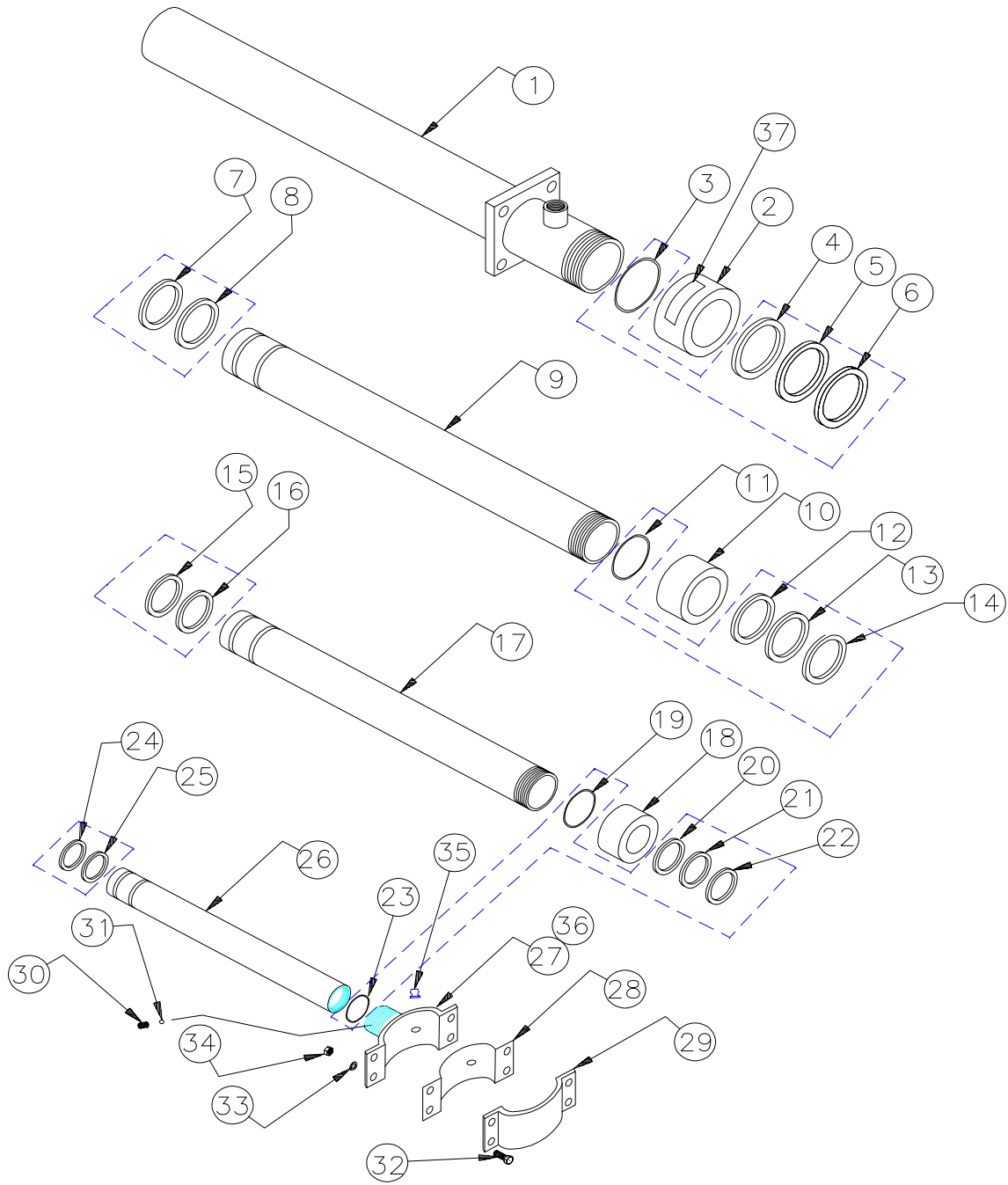


**J100 HOIST  
HOSE ASSEMBLY**

ITEM	PART #	QTY	DESCRIPTION
1	100024	3	ELBOW, 90 DEG. STREET
2	100375	2	HOSE ASSEMBLY
3	11276	1	PIPE, SUPPLY
4	100563	2	EYE BOLT
5	100455	1	ELBOW, 90 DEG.
6	100500	1	TEE

ITEM	PART #	QTY	DESCRIPTION
7	100016	2	BUSHING, HEX
8	100254	4	NUT
9	100271	2	WASHER, LOCK
10	100501	1	HOSE ASSEMBLY
11	100499	1	ADAPTER
12	100498	1	ELBOW, 90 DEG.

**J100 HOIST  
CYLINDER PARTS**



**J100 HOIST  
CYLINDER PARTS LIST**

ITEM	PART #	QTY	DESCRIPTION	ITEM	PART #	QTY	DESCRIPTION
*	A1185	1	CYLINDER ASSEMBLY (COMPLETE)	18	10924	1	GLAND NUT
1	A15879	1	CYLINDER BODY		A9114	1	SEAL KIT
2	10926	1	GLAND NUT	*19	100192	1	O-RING
	A9116	1	SEAL KIT	*20	100158	1	O-RING
*3	100194	1	O-RING	*21	100604	1	BACK-UP RING
*4	100162	1	O-RING	*22	100384	1	WIPER RING
*5	100606	1	BACK-UP RING	*23	100338	1	O-RING
*6	100386	1	WIPER RING		A9206	1	WEAR & STOP RING KIT
	A9208	1	WEAR & STOP RING KIT	*24	100576	1	WEAR RING
*7	100562	1	WEAR RING	*25	12943	1	STOP RING
*8	12945	1	STOP RING	26	11257	1	TUBE CYLINDER (THIRD STAGE)
9	11255	1	CYLINDER TUBE (FIRST STAGE)	27	A10895	1	CYLINDER MOUNT
10	10925	1	GLAND NUT	28	12915	1	BUSHING, BRASS
	A9115	1	SEAL KIT	29	10898	1	CYLINDER TOP MOUNT
*11	100193	1	O-RING	30	10900	1	BLEEDER SCREW
*12	100160	1	O-RING	31	100478	1	BLEEDER BALL
*13	100605	1	BACK-UP RING	32	100240	4	SCREW, HEX HD CAP
*14	100385	1	WIPER RING	33	100271	4	WASHER, LOCK
	A9207	1	WEAR & STOP RING KIT	34	100254	4	NUT, HEX
*15	100567	1	WEAR RING	35	100037	1	GREASE ZERK
*16	12944	1	STOP RING	36	101033	1	DECAL, BLEEDER SCREW
17	11256	1	TUBE CYLINDER (SECOND STAGE)	37	101046	1	DECAL, MAX CYL PRESS 3100 PSI

**NOTE:** \* - A1185 INCLUDES CYLINDER ASSY, CYLINDER TOP MOUNT, BRASS BUSHING, SCREWS LOCKWASHERS AND NUTS.

\*3-6 - NOT SOLD SEPARATELY, SOLD AS SEAL KIT #A9116 ONLY.

\*7-8 - NOT SOLD SEPARATELY, SOLD AS WEAR & STOP RING KIT #A9208 ONLY.

\*11-14 - NOT SOLD SEPARATELY, SOLD AS SEAL KIT #A9115 ONLY.

\*15-16 - NOT SOLD SEPARATELY, SOLD AS WEAR & STOP RING KIT #A9207 ONLY.

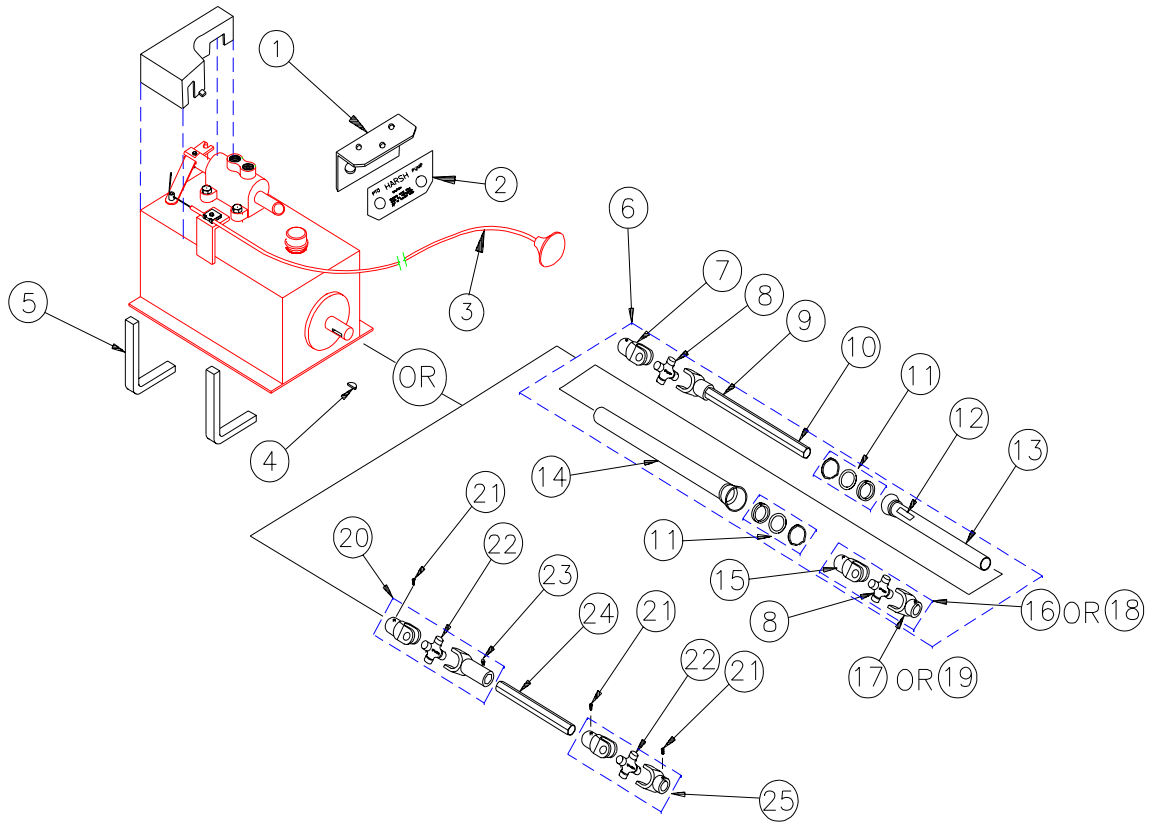
\*19-22 - NOT SOLD SEPARATELY, SOLD AS SEAL KIT #A9114 ONLY.

\*23-24 - NOT SOLD SEPARATELY, SOLD AS WEAR & STOP RING KIT #A9206 ONLY.

## SPECIAL SEAL INFORMATION

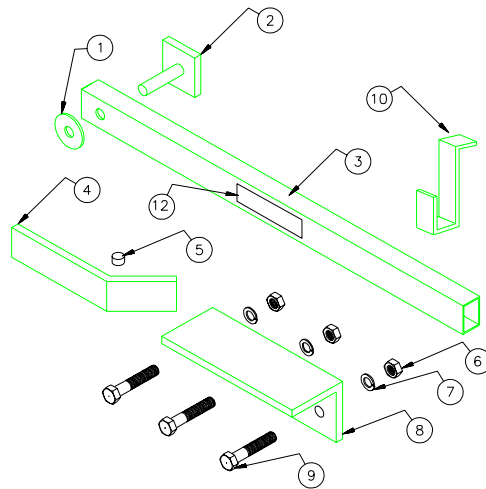
SOME CYLINDERS MAY BE MANUFACTURED USING "U" CUP SEAL KITS. THE INSTALLATION OF THESE "U" CUP SEAL KITS REQUIRES SPECIAL TOOLS AND PROCEDURES AND IS NOT RECOMMENDED FOR FIELD REPAIR. ALL REPAIR PARTS SUPPLIED BY HARSH ARE OF THE "O" RING AND BACK UP STYLE AS SHOWN IN THE DRAWING.

## PTO SHAFT AND PUMP ACCESSORIES



ITEM	PART #	QTY	DESCRIPTION	ITEM	PART #	QTY	DESCRIPTION
	A12261	1	CONTROL CABLE ASSEMBLY	14	9794	1	SHIELD, INNER
*1	12258	1	BRACKET, CONTROL CABLE	15	9797	1	YOKE, SLIP 1 1/8 HEX BORE
*2	101117	1	DECAL, CONTROL CABLE BRACKET	*16	102945	1	U-JOINT ASSY, 1 1/8 HEX-7/8 RD BORE
*3	A1075	1	CONTROL CABLE ASSY, 15 FT	*17	9798	1	YOKE, PTO 7/8 RND BORE
4	4451	1	KEY, WOODRUFF	*18	102999	1	U-JOINT ASSY, 1 1/8 HEX-1 1/4 RD BORE
5	12890	2	PUMP BRACKET	*19	9799	1	YOKE, PTO 1 1/4 RND BORE
*6	102943	1	DRIVE SHAFT, 1 1/8 HEX	20	101283	1	U-JOINT ASSY, SLIP
7	9802	1	YOKE, PUMP 1 RND BORE	21	100242	3	SET SCREW
8	9788	2	CROSS & BEARING KIT	22	4450	2	CROSS, U-JOINT
9	9801	1	DECAL, DANGER (SHAFT)	23	100218	1	ZERK
10	A9840	1	YOKE & SHAFT ASSY	24	12929	1	DRIVE SHAFT, 1 1/8 HEX
11	9795	2	KIT, BEARING SHIELD	25	101282	1	U-JOINT ASSY
12	9800	1	DECAL, DANGER (OUTSIDE SHIELD)	*26	100896	1	DECAL, HOIST OPER-PTO PUMP
13	9793	1	SHIELD, OUTER				

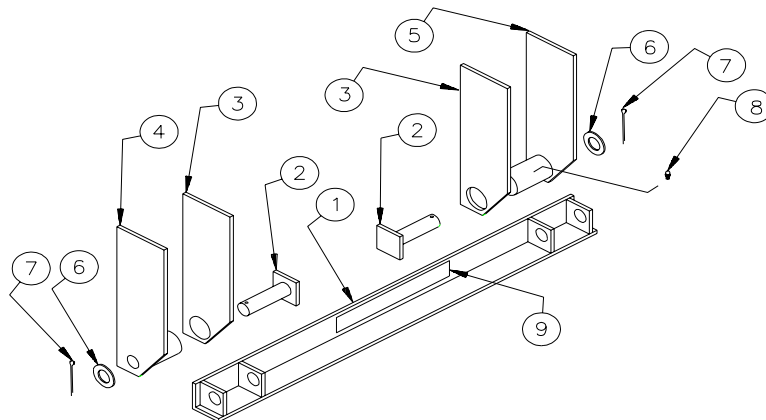
**NOTE:** \*1,\*2,\*3 - INCLUDED IN ASSEMBLY A12261.  
 \*2 - APPLY DECAL #101117 TO BRACKET #12258.  
 \*6 - INCLUDES ITEMS #7 THROUGH #19.  
 \*16 OR \*18 - USE EITHER #102945 (7/8 RND BORE) OR 102999 (1 1/4 RND BORE).  
 \*17 OR \*19 - USE EITHER #9798 OR #9799.  
 \*26 - APPLY DECAL #100896 ON DASHBOARD AS NEAR AS POSSIBLE TO HOIST CONTROLS.



**J100 HOIST  
SAFETY PROP PARTS LIST**

ITEM	PART #	QTY	DESCRIPTION	ITEM	PART #	QTY	DESCRIPTION
	A1387	1	SAFETY PROP ASSEMBLY	7	100272	3	WASHER, LOCK
1	101123	1	WASHER, FLAT	8	12251	1	BOTTOM ANGLE
2	A12245	1	PIN PLATE ASSEMBLY	9	100230	3	SCREW, HEX HD CAP
3	12243	1	SAFETY BOX PROP	10	12256	1	BRACKET, LATCHING
4	12249	1	SIDE PLATE	*11	101101	2	DECAL, BOX PROP (10 x 4 3/4)
5	12248	1	STOP PEG	12	101102	1	DECAL, BOX PROP (9 1/4 x 1 1/2)
6	100250	3	NUT, HEX				

NOTE: \*11 - APPLY ON OUTSIDE OF RUB RAIL IN AREA OF THE SERVICE SAFETY PROP. ONE DECAL ON EACH SIDE OF BOX.



**J100 HOIST  
TAIL HINGE PARTS LIST**

ITEM	PART #	QTY	DESCRIPTION	ITEM	PART #	QTY	DESCRIPTION
	A1281	1	TAIL HINGE ASSEMBLY	5	A10138-2	1	VERTICAL PLATE ASSY
1	A10141	1	TAIL HINGE ANGLE ASSY	6	101071	2	WASHER, FLAT
2	A10137	2	PIN ASSY	7	101076	2	COTTER PIN, 2 1/2 LG.
3	10139	2	VERTICAL PLATE	8	100037	2	GREASE ZERK
4	A10138-1	1	VERTICAL PLATE ASSY	9	100974	1	DECAL, TAIL HINGE