



RL-H80

PARTS LIST

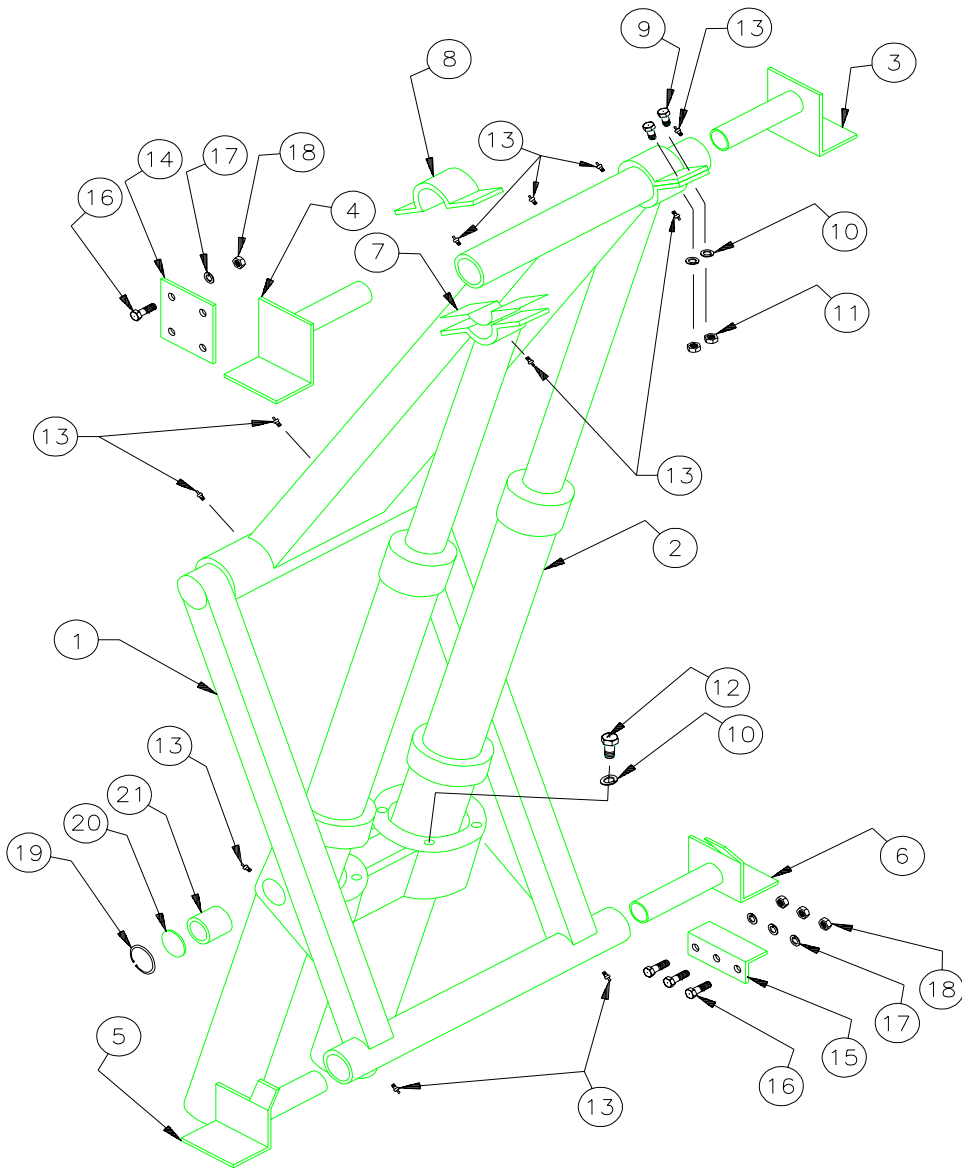
Hoist Serial number 226 to _____

IF YOUR HOIST DOES NOT FALL WITHIN THE SERIAL NUMBER BREAKS,
YOU WILL NEED TO CONTACT HARSH TO GET THE APPROPRIATE MANUAL

Harsh International, Inc.
600 Oak Avenue
Eaton, CO 80615
(970) 454-2291
Fax: (970) 454-3491

Price: \$2.50

Parts book number: **102837D**

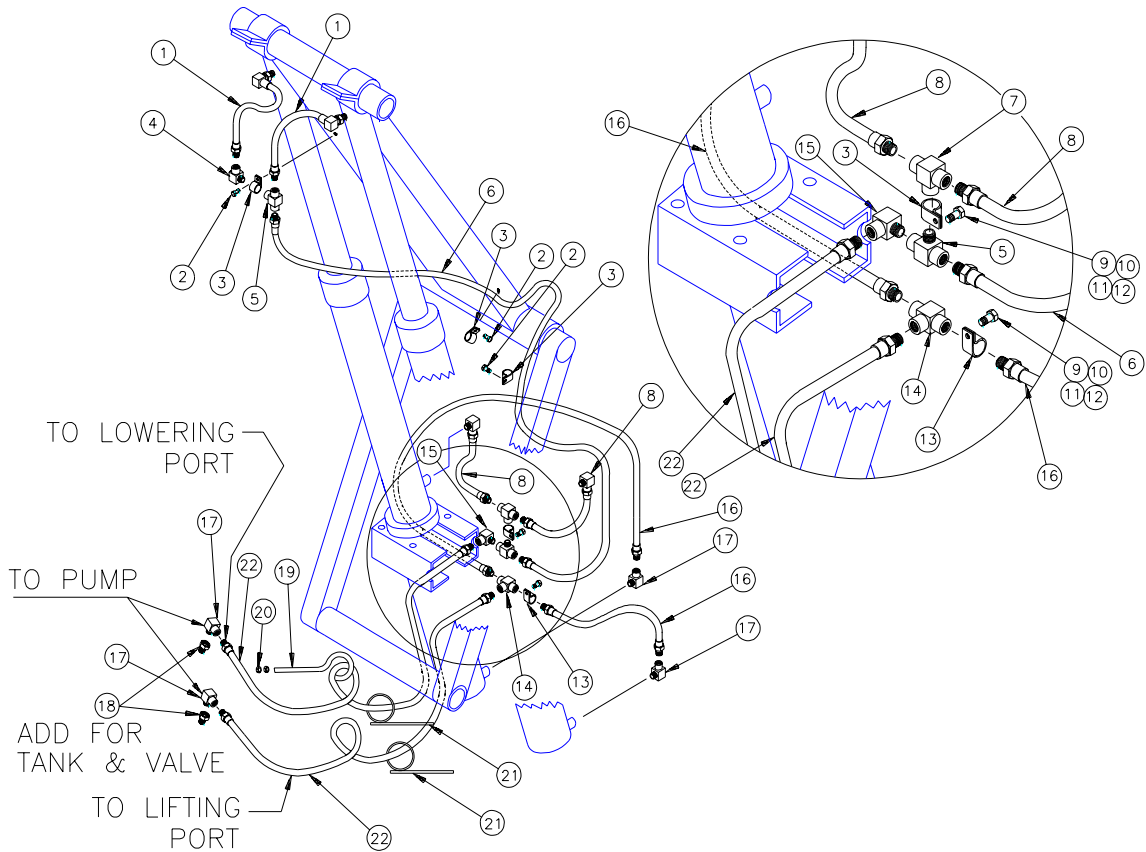


**H80 HOIST
SCISSOR ASSEMBLY**

ITEM	PART #	QTY	DESCRIPTION	ITEM	PART #	QTY	DESCRIPTION
1	A18624	1	SCISSOR ASSEMBLY	12	102974	8	SCREW, SCKTHD CAP
*2	A1840	2	CYLINDER ASSEMBLY (COMPLETE)	13	100037	12	GREASE FITTING, DRIVE IN
3	A18601	1	UPPER MOUNT	14	11126	2	STRINGER ATTACHMENT PLATE
4	A18602	1	UPPER MOUNT	15	11127	2	ANGLE, FRAME ATTACHMENT
5	A11172-1	1	LOWER MOUNT	16	100230	14	SCREW, HEX HD CAP
6	A11172-2	1	LOWER MOUNT	17	100272	14	WASHER, LOCK
7	12915	2	BUSHING, BRASS	18	100250	14	NUT, HEX
8	10898	2	CYLINDER TOP MOUNT	19	100147	2	SNAP RING
9	100240	8	SCREW, HEX HD CAP	20	15886	2	PLATE, GREASE RETAINING
10	100271	16	WASHER, LOCK	21	15862	2	BUSHING
11	100254	8	NUT, HEX	*22	A9778	1	DECAL KIT

NOTE: *2 - A1840 INCLUDES CYLINDER ASSY, CYLINDER TOP MOUNT, BRASS BUSHING, SCREWS, LOCK WASHERS AND NUTS.

*22 -A9778 INCLUDES ALL DECALS USED ON HOIST.
SOME HOISTS MAY HAVE SELF TAPPING ZERKS IN VARIOUS LOCATIONS.

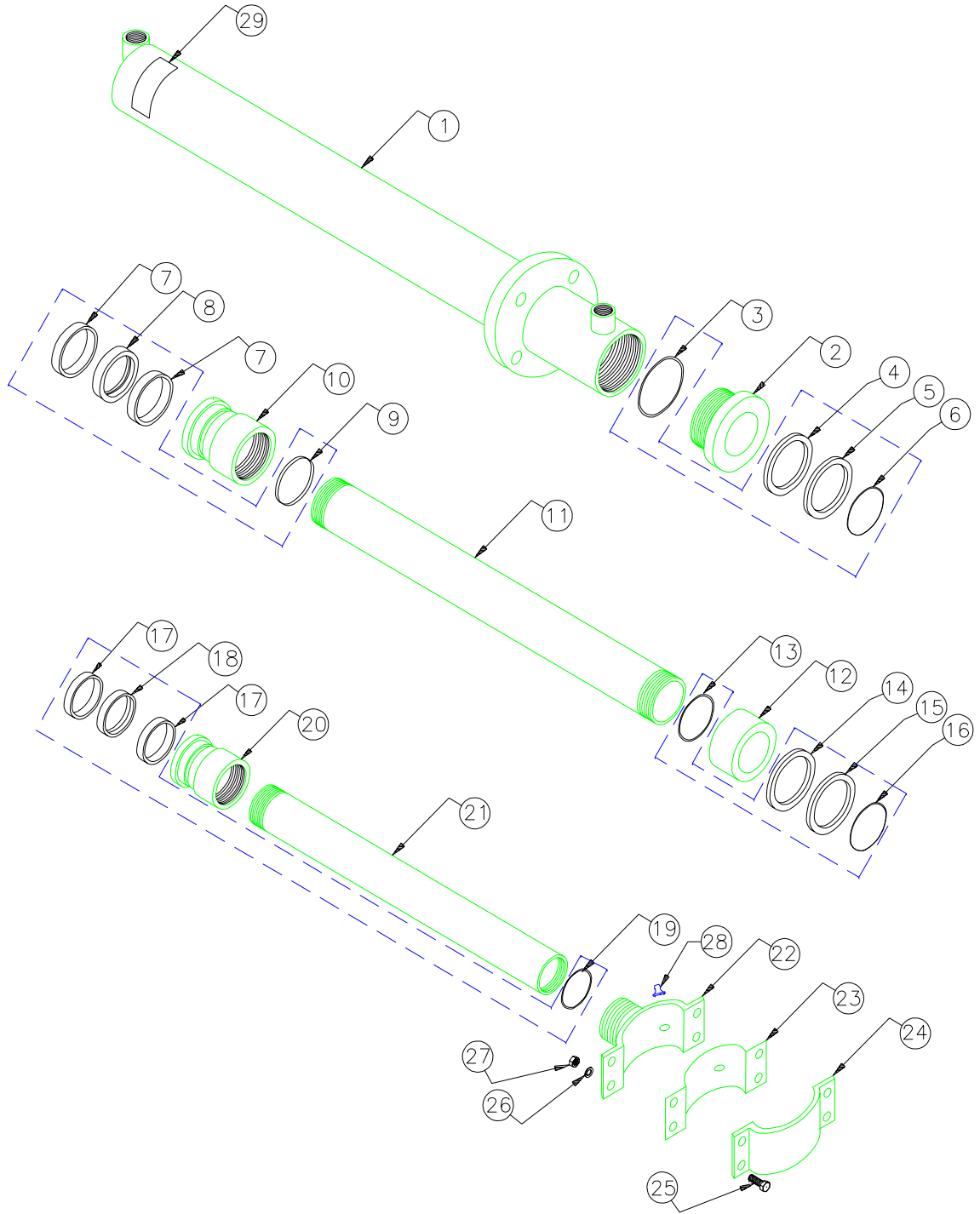


H80 HOIST HOSE ASSEMBLY

ITEM	PART #	QTY	DESCRIPTION	ITEM	PART #	QTY	DESCRIPTION
1	100933	2	HOSE ASSEMBLY	12	100221	2	NUT, HEX
2	100544	3	SCREW, HX HD CAP	13	102956	1	HOSE CLAMP 13/16 ID
3	100547	4	HOSE CLAMP 11/16 ID	14	100010	1	TEE
4	100531	1	ELBOW	15	100527	1	ELBOW
5	100526	2	TEE	16	100931	2	HOSE ASSEMBLY
6	100932	1	HOSE ASSEMBLY	*17	100451	4	ELBOW
7	100934	1	TEE	*18	100015	2	BUSHING
8	100930	2	HOSE ASSEMBLY	*19	100563	1	EYEBOLT
9	100109	2	SCREW, RD HD	*20	100254	2	NUT, HEX
10	100304	2	WASHER, LOCK	*21	A11166	2	HOSE SUPPORT
11	100443	2	WASHER, FLAT	22	100540	2	HOSE ASSEMBLY

NOTE: *17 - FOR PUMP USE 100451 QTY.4
 *18 - FOR TANK & VALVE ADD BUSHINGS (100015) TO ELBOW (100451) BEFORE CONNECTING TO VALVE.
 *19,20,21 - USED TO SUPPORT ITEM #22 (100540) HOSE ASSEMBLY.

H80 HOIST CYLINDER PARTS



H80 HOIST CYLINDER PARTS LIST

ITEM	PART #	QTY	DESCRIPTION	ITEM	PART #	QTY	DESCRIPTION
*	A1840	2	CYLINDER ASSEMBLY (COMPLETE)		A9761	1	SEAL KIT
1	A18608	1	CYLINDER BODY ASSEMBLY	*17	102813	2	WEAR RING
2	18129	1	GLAND NUT	*18	102850	1	CROWN SEAL
	A9758	1	SEAL KIT	*19	100519	1	O-RING
*3	100193	1	O-RING	20	18128	1	PISTON
*4	102817	1	O-RING	21	11153	1	TUBE, CYLINDER (SECOND STAGE)
*5	102819	1	BACK-UP RING	22	A18609	1	CYLINDER MOUNT
*6	102820	1	WIPER RING	23	12915	1	BUSHING, BRASS
	A9759	1	SEAL KIT	24	10898	1	CYLINDER TOP MOUNT
*7	102814	2	WEAR RING	25	100240	4	SCREW, HX HD CAP
*8	102851	1	CROWN SEAL	26	100271	4	WASHER, LOCK
*9	102816	1	O-RING	27	100254	4	NUT, HEX
10	18127	1	PISTON	28	100037	1	GREASE FITTING, DRIVE IN
11	18126	1	TUBE, CYLINDER (FIRST STAGE)	29	101045	1	DECAL, MAX CYL PRESS 3300 PSI
12	18130	1	GLAND NUT				
	A9760	1	SEAL KIT				
*13	101160	1	O-RING				
*14	100445	1	O-RING				
*15	100619	1	BACK-UP RING				
*16	100137	1	WIPER RING				

NOTE: * - A1840 INCLUDES CYLINDER ASSY, CYLINDER TOP MOUNT, BRASS BUSHING, SCREWS, LOCK WASHERS AND NUTS.

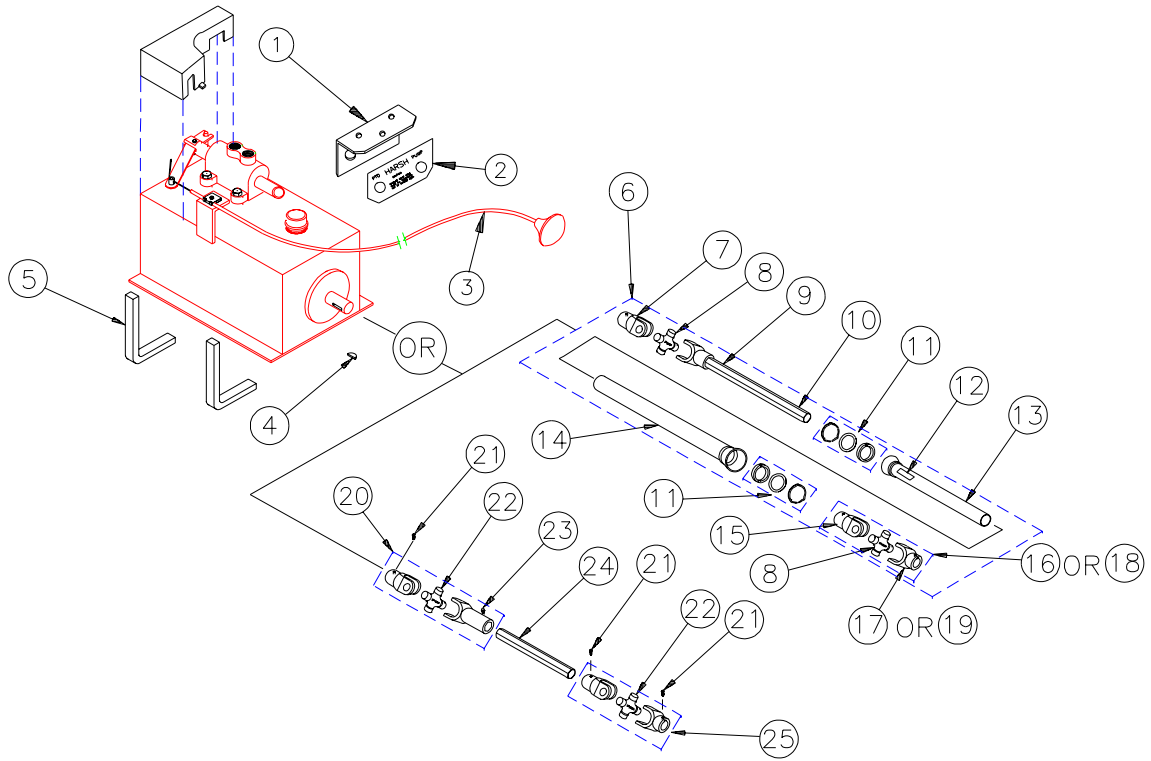
*3-6 - NOT SOLD SEPARATELY, SOLD AS SEAL KIT #A9758 ONLY.

*7-9 - NOT SOLD SEPARATELY, SOLD AS SEAL KIT #A9759 ONLY.

*13-16 - NOT SOLD SEPARATELY, SOLD AS SEAL KIT #A9760 ONLY.

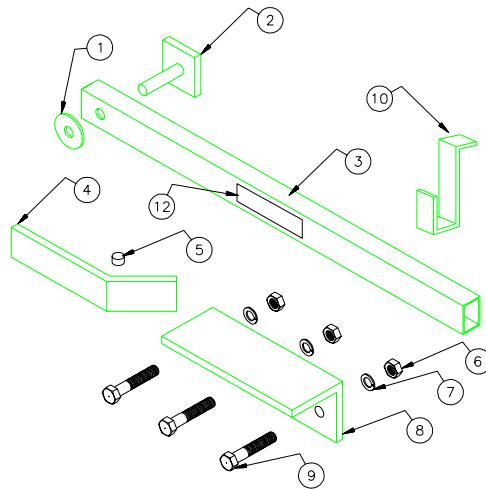
*17-19 - NOT SOLD SEPARATELY, SOLD AS SEAL KIT #A9761 ONLY

PTO SHAFT AND PUMP ACCESSORIES



ITEM	PART #	QTY	DESCRIPTION	ITEM	PART #	QTY	DESCRIPTION
	A12261	1	CONTROL CABLE ASSEMBLY	14	9794	1	SHIELD, INNER
*1	12258	1	BRACKET, CONTROL CABLE	15	9796	1	YOKE, SLIP 7/8 HEX BORE
*2	101117	1	DECAL, CONTROL CABLE BRACKET	*16	102944	1	U-JOINT ASSY, 7/8 HEX-1 1/4 RND BORE
*3	A1075	1	CONTROL CABLE ASSY, 15 FT	*17	9799	1	YOKE, PTO 1 1/4 RND BORE
4	4451	1	KEY, WOODRUFF	*18	103000	1	U-JOINT ASSY, 7/8 HEX-7/8 RND BORE
5	12890	2	PUMP BRACKET	*19	9798	1	YOKE, PTO 7/8 RND BORE
*6	102942	1	DRIVE SHAFT, 7/8	20	100477	1	U-JOINT ASSY, SLIP
7	9802	1	YOKE, PUMP 1 RND BORE	21	100242	3	SET SCREW
8	9788	2	CROSS & BEARING KIT	22	4450	2	CROSS, U-JOINT
9	9801	1	DECAL, DANGER (SHAFT)	23	100218	1	ZERK
10	A9841	1	YOKE & SHAFT ASSY	24	11239	1	DRIVE SHAFT, 7/8 HEX
11	9795	2	KIT, BEARING SHIELD	25	100227	1	U-JOINT ASSY
12	9800	1	DECAL, DANGER (OUTSIDE SHIELD)	*26	100896	1	DECAL, HOIST OPER-PTO PUMP
13	9793	1	SHIELD, OUTER				

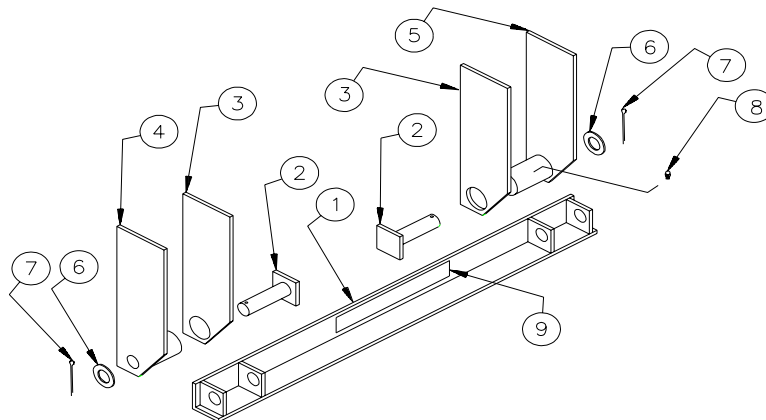
NOTE: *1,*2,*3 - INCLUDED IN ASSEMBLY A12261.
 *2 - APPLY DECAL #101117 TO BRACKET #12258.
 *6 - INCLUDES ITEMS #7 THROUGH #19.
 *16 OR *18 - USE EITHER #102944 (1 1/4 RND BORE) OR 103000 (7/8 RND BORE).
 *17 OR *19 - USE EITHER #9798 OR #9799.
 *26 - APPLY DECAL #100896 ON DASHBOARD AS NEAR AS POSSIBLE TO HOIST CONTROLS.



**H80 HOIST
SAFETY PROP PARTS LIST**

ITEM	PART #	QTY	DESCRIPTION	ITEM	PART #	QTY	DESCRIPTION
	A1387	1	SAFETY PROP ASSEMBLY	7	100272	3	WASHER, LOCK
1	101123	1	WASHER, FLAT	8	12251	1	BOTTOM ANGLE
2	A12245	1	PIN PLATE ASSEMBLY	9	100230	3	SCREW, HEX HD CAP
3	12243	1	SAFETY BOX PROP	10	12256	1	BRACKET, LATCHING
4	12249	1	SIDE PLATE	*11	101101	2	DECAL, BOX PROP (10 x 4 3/4)
5	12248	1	STOP PEG	12	101102	1	DECAL, BOX PROP (9 1/4 x 1 1/2)
6	100250	3	NUT				

NOTE: *11 - APPLY ON OUTSIDE RUB RAIL IN AREA OF THE SERVICE SAFETY PROP. ONE DECAL ON EACH SIDE OF BOX.



**H80 HOIST
TAIL HINGE PARTS LIST**

ITEM	PART #	QTY	DESCRIPTION	ITEM	PART #	QTY	DESCRIPTION
	A1281	1	TAIL HINGE ASSY	5	A10138-2	1	VERTICAL PLATE ASSY
1	A10141	1	TAIL HINGE ANGLE ASSY	6	101071	2	WASHER, FLAT
2	A10137	2	PIN ASSY	7	101076	2	COTTER PIN, 2 1/2 LG.
3	10139	2	VERTICAL PLATE	8	100037	2	GREASE ZERK
4	A10138-1	1	VERTICAL PLATE ASSY	9	100974	1	DECAL, TAIL HINGE