



RL-F60

PARTS LIST

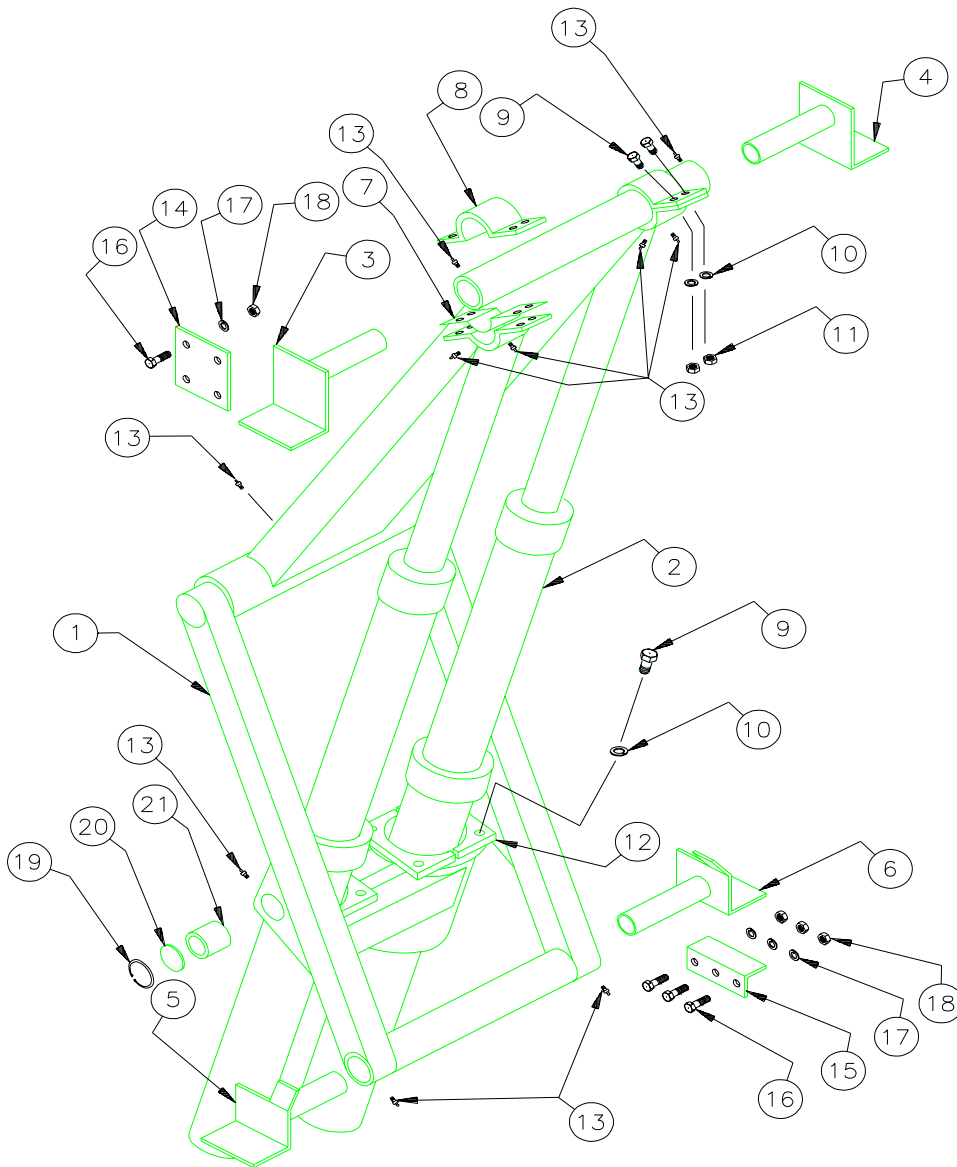
Hoist Serial number 2640 to _____

IF YOUR HOIST DOES NOT FALL WITHIN THE SERIAL NUMBER BREAKS,
YOU WILL NEED TO CONTACT HARSH TO GET THE APPROPRIATE MANUAL

Harsh International, Inc.
600 Oak Avenue
Eaton, CO 80615
(970) 454-2291
Fax: (970) 454-3491

Price: \$2.50

Parts book number: **102692G**



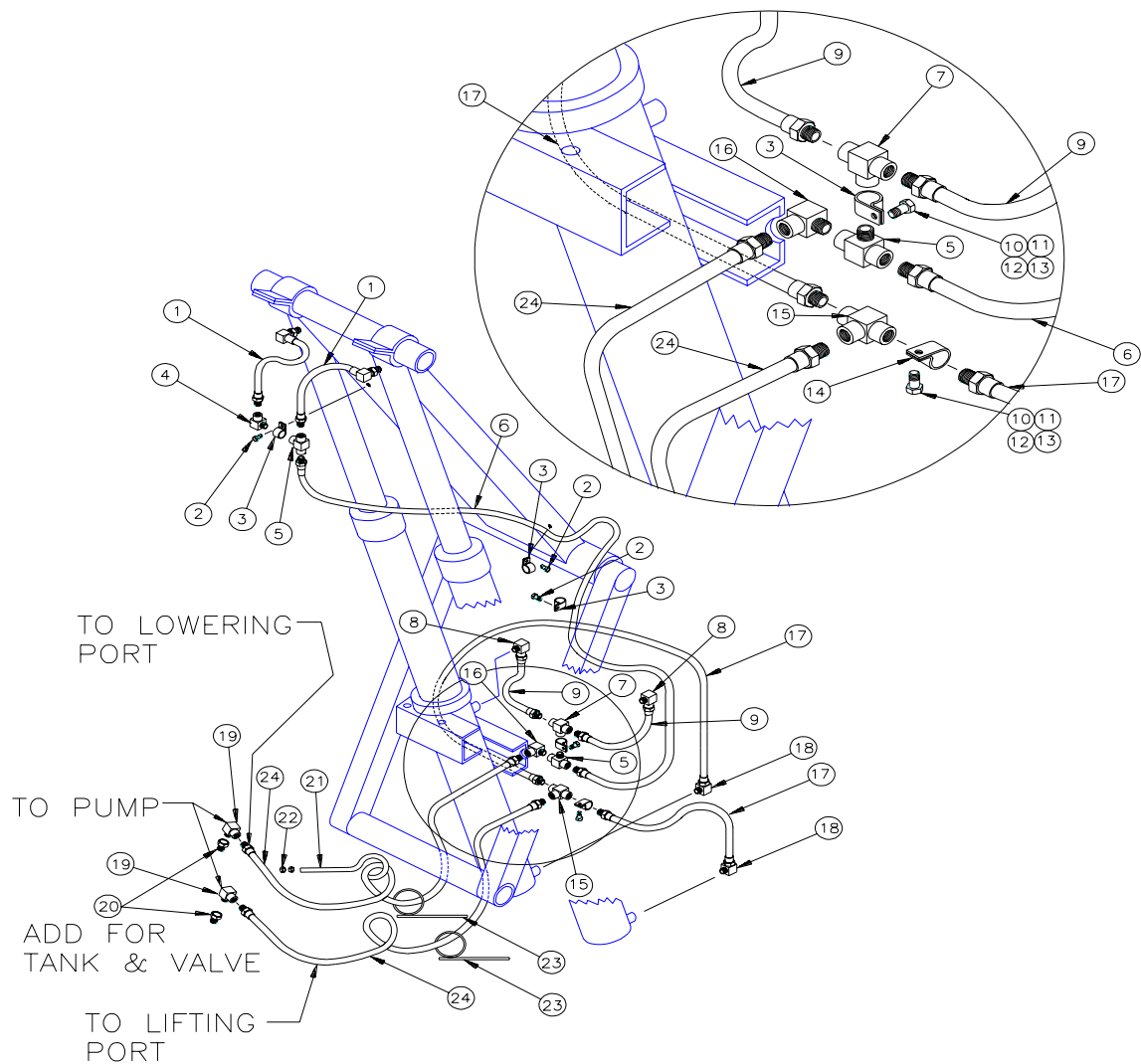
**F60 HOIST
SCISSOR ASSEMBLY**

ITEM	PART #	QTY	DESCRIPTION	ITEM	PART #	QTY	DESCRIPTION
1	A13908	1	SCISSOR ASSEMBLY	12	14159	4	MOUNTING FLANGE HALF
*2	A1698	2	CYLINDER ASSEMBLY (COMPLETE)	13	100037	11	GREASE FITTING, DRIVE IN
3	A14152	1	UPPER MOUNT	14	11126	2	STRINGER ATTACHMENT PLATE
4	A14153	1	UPPER MOUNT	15	11127	2	ANGLE, FRAME ATTACHMENT
5	A14155	1	LOWER MOUNT	16	100230	14	SCREW, HEX HD CAP
6	A14156	1	LOWER MOUNT	17	100272	14	WASHER, LOCK
7	12907	2	BUSHING, BRASS	18	100250	14	NUT, HEX
8	18631	2	CYLINDER TOP MOUNT	19	100147	2	SNAP RING
9	100240	16	SCREW, HEX HD CAP	20	15886	2	PLATE, GREASE RETAINING
10	100271	16	WASHER, LOCK	21	15862	2	BUSHING
11	100254	8	NUT, HEX	*22	A9778	1	DECAL KIT

NOTE: *2 - A1698 INCLUDES CYLINDER ASSY, MOUNTING FLANGE HALVES, CYLINDER TOP MOUNT, BRASS BUSHING, SCREWS, LOCK WASHERS AND NUTS.

*22 - A9778 INCLUDES ALL DECALS USED ON HOIST.

SOME HOISTS MAY HAVE SELF TAPPING ZERKS IN VARIOUS LOCATIONS.

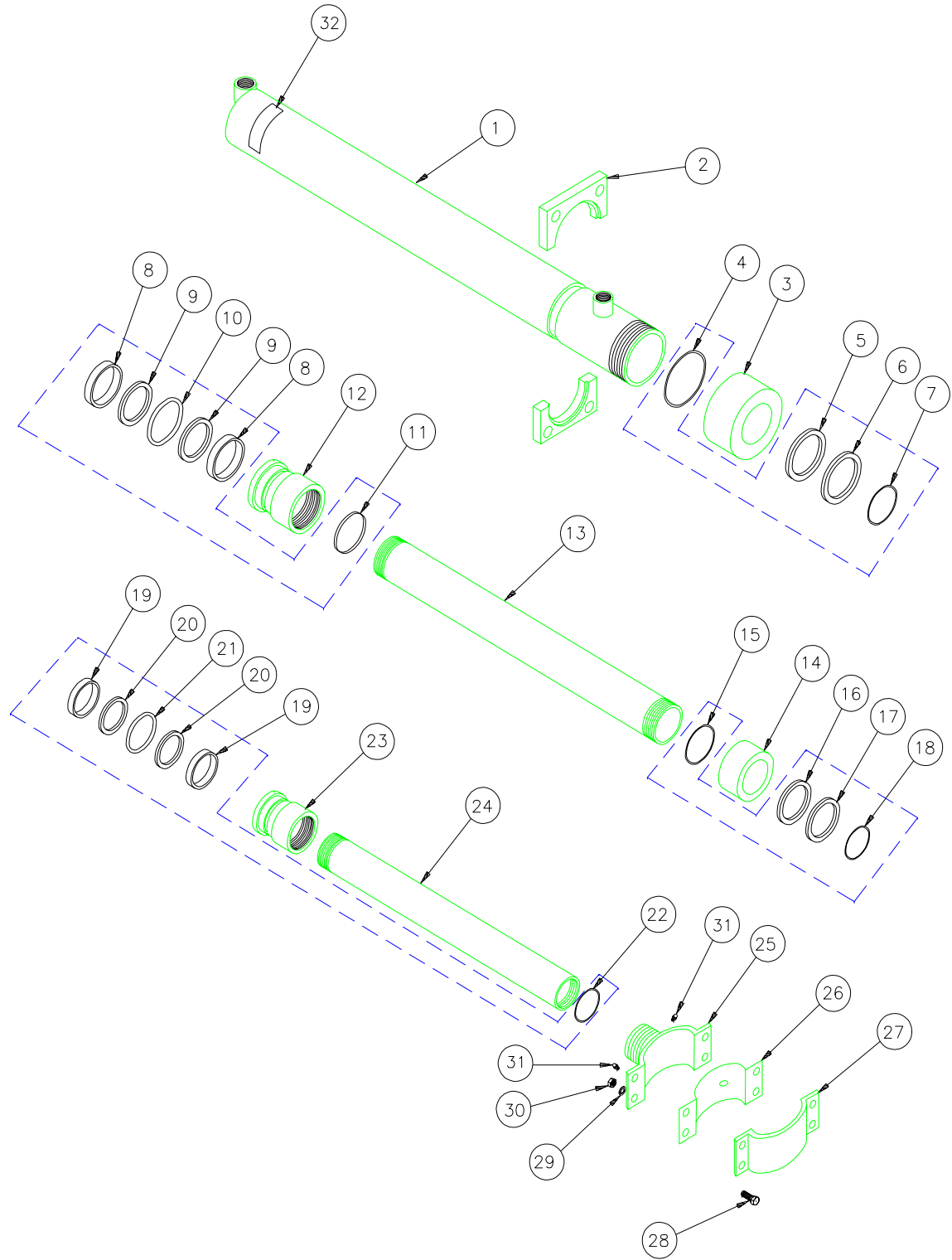


F60 HOIST HOSE ASSEMBLY

ITEM	PART #	QTY	DESCRIPTION	ITEM	PART #	QTY	DESCRIPTION
1	100930	2	HOSE ASSEMBLY	13	100221	2	NUT, HEX
2	100544	3	SCREW, HEX HD CAP	14	100935	1	HOSE CLAMP, 13/16 ID
3	100547	4	HOSE CLAMP, 11/16 ID	15	100010	1	TEE
4	100531	1	ELBOW	16	100527	1	ELBOW
5	100526	2	TEE	17	101974	2	HOSE ASSEMBLY
6	101980	1	HOSE ASSEMBLY	18	101975	2	ADAPTER
7	100934	1	TEE	*19	100451	2	ELBOW
8	101976	2	ADAPTER	*20	100015	2	BUSHING
9	101982	2	HOSE ASSEMBLY	*21	100563	1	EYE BOLT
10	100109	2	SCREW, RD HD	*22	100254	2	NUT, HEX
11	100304	2	WASHER, LOCK	*23	A11166	2	HOSE SUPPORT
12	100443	2	WASHER, FLAT	24	100540	2	HOSE ASSEMBLY

NOTE: *19 - FOR PUMP USE 100451.
 *20 - FOR TANK & VALVE ADD BUSHINGS (100015) TO ELBOW (100451) BEFORE CONNECTING TO VALVE.
 *21,22,23 - USED TO SUPPORT ITEM #24 (100540) HOSE ASSEMBLY TO CHASSIS.

F60 HOIST CYLINDER PARTS



**F60 HOIST
CYLINDER PARTS LIST**

ITEM	PART #	QTY	DESCRIPTION	ITEM	PART #	QTY	DESCRIPTION
*	A1698	2	CYLINDER ASSEMBLY (COMPLETE)	A9230	1	SEAL KIT	
1	A14167	1	CYLINDER BODY ASSEMBLY	*19	100566	2	WEAR RING
2	14159	2	MOUNTING FLANGE HALF	*20	100620	2	BACK-UP RING
3	14172	1	GLAND NUT	*21	100155	1	O-RING
	A9413	1	SEAL KIT	*22	100519	1	O-RING
*4	101986	1	O-RING	23	11145	1	PISTON
*5	100158	1	O-RING	24	14171	1	TUBE, CYLINDER (SECOND STAGE)
*6	100604	1	BACK-UP RING	25	A11161	1	CYLINDER MOUNT
*7	100384	1	WIPER RING	26	12907	1	BUSHING, BRASS
	A9414	1	SEAL KIT	27	18631	1	CYLINDER TOP MOUNT
*8	101972	2	WEAR RING	28	100240	4	SCREW, HEX HD CAP
*9	100604	2	BACK-UP RING	29	100271	4	WASHER, LOCK
*10	100158	1	O-RING	30	100254	4	NUT, HEX
*11	100520	1	O-RING	31	100037	2	GREASE FITTING, DRIVE IN
12	14173	1	PISTON	32	101045	1	DECAL, MAX CYL PRESS 3300PSI
13	14170	1	TUBE, CYLINDER (FIRST STAGE)				
14	11144	1	GLAND NUT				
	A9229	1	SEAL KIT				
*15	100191	1	O-RING				
*16	100445	1	O-RING				
*17	100619	1	BACK-UP RING				
*18	100137	1	WIPER RING				

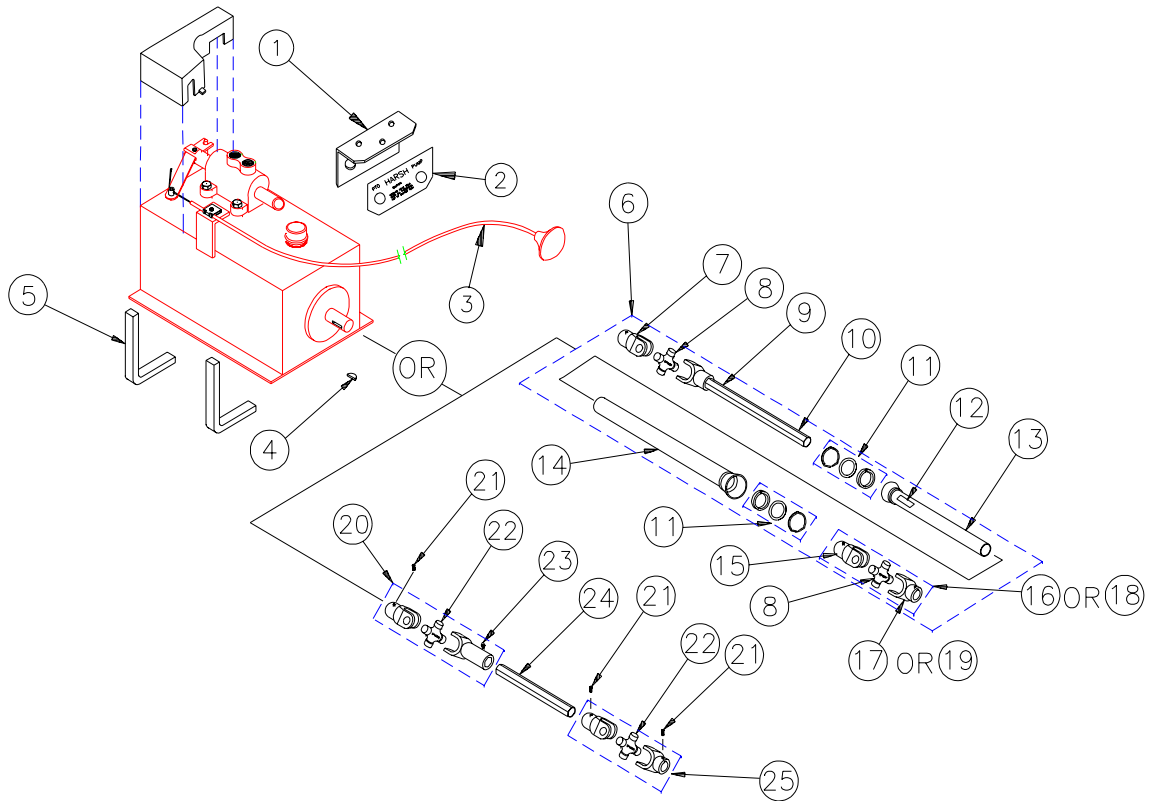
NOTE: * - A1698 INCLUDES CYLINDER ASSY, MOUNTING FLANGE HALVES, CYLINDER TOP MOUNT, BRASS BUSHING, SCREWS, LOCK WASHERS AND NUTS.

*4-7 - NOT SOLD SEPARATELY, SOLD AS SEAL KIT #A9413 ONLY.

*8-11 - NOT SOLD SEPARATELY, SOLD AS SEAL KIT #A9414 ONLY.

*15-18 - NOT SOLD SEPARATELY, SOLD AS SEAL KIT #A9229 ONLY.

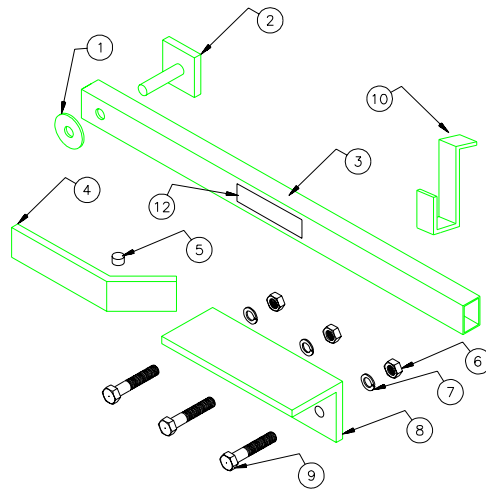
*19-22 - NOT SOLD SEPARATELY, SOLD AS SEAL KIT #A9230 ONLY



PTO SHAFT AND PUMP ACCESSORIES

ITEM	PART #	QTY	DESCRIPTION	ITEM	PART #	QTY	DESCRIPTION
	A12261	1	CONTROL CABLE ASSEMBLY	14	9794	1	SHIELD, INNER
*1	12258	1	BRACKET, CONTROL CABLE	15	9796	1	YOKE, SLIP 7/8 HEX BORE
*2	101117	1	DECAL, CONTROL CABLE BRACKET	*16	102944	1	U-JOINT ASSY, 7/8 HEX-1 1/4 RND BORE
*3	A1075	1	CONTROL CABLE ASSY, 15 FT	*17	9799	1	YOKE, PTO 1 1/4 RND BORE
4	4451	1	KEY, WOODRUFF	*18	103000	1	U-JOINT ASSY, 7/8 HEX-7/8 RND BORE
5	10062	2	PUMP BRACKET	*19	9798	1	YOKE, PTO 7/8 RND BORE
*6	102942	1	DRIVE SHAFT, 7/8	20	100477	1	U-JOINT ASSY, SLIP
7	9802	1	YOKE, PUMP 1 RND BORE	21	100242	3	SET SCREW
8	9788	2	CROSS & BEARING KIT	22	4450	2	CROSS, U-JOINT
9	9801	1	DECAL, DANGER (SHAFT)	23	100218	1	ZERK
10	A9841	1	YOKE & SHAFT ASSY	24	11239	1	DRIVE SHAFT, 7/8 HEX
11	9795	2	KIT, BEARING SHIELD	25	100227	1	U-JOINT ASSY
12	9800	1	DECAL, DANGER (OUTSIDE SHIELD)	*26	100896	1	DECAL, HOIST OPER-PTO PUMP
13	9793	1	SHIELD, OUTER				

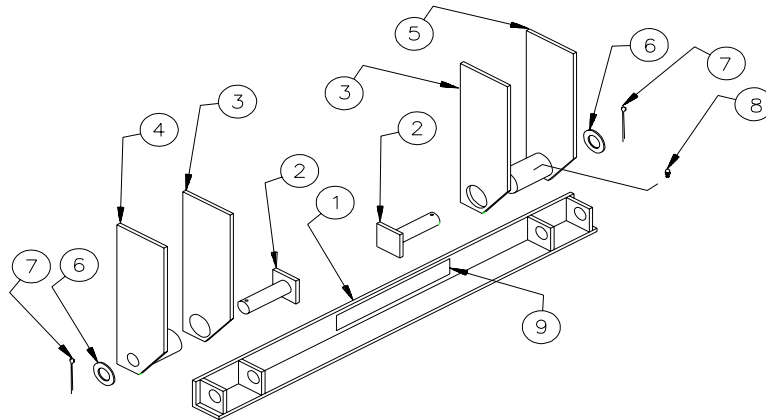
NOTE: *1,*2,*3 - INCLUDED IN ASSEMBLY A12261.
 *2 - APPLY DECAL #101117 TO BRACKET #12258.
 *6 - INCLUDES ITEMS #7 THROUGH #19.
 *16 OR *18 - USE EITHER #102944 (1 1/4 RND BORE) OR 103000 (7/8 RND BORE).
 *17 OR *19 - USE EITHER #9798 OR #9799.
 *26 - APPLY DECAL #100896 ON DASHBOARD AS NEAR AS POSSIBLE TO HOIST CONTROLS.



**F60 HOIST
SAFETY PROP PARTS LIST**

ITEM	PART #	QTY	DESCRIPTION	ITEM	PART #	QTY	DESCRIPTION
	A1387	1	SAFETY PROP ASSEMBLY	7	100272	3	WASHER, LOCK
1	101123	1	WASHER, FLAT	8	12251	1	BOTTOM ANGLE
2	A12245	1	PIN PLATE ASSEMBLY	9	100230	3	SCREW, HEX HD CAP
3	12243	1	SAFETY BOX PROP	10	12256	1	BRACKET, LATCHING
4	12249	1	SIDE PLATE	*11	101101	2	DECAL, BOX PROP (10 x 4 3/4)
5	12248	1	STOP PEG	12	101102	1	DECAL, BOX PROP (9 1/4 x 1 1/2)
6	100250	3	NUT				

NOTE: *11 - APPLY ON OUTSIDE RUB RAIL IN AREA OF THE SERVICE SAFETY PROP. ONE DECAL ON EACH SIDE OF BOX.



**F60 HOIST
TAIL HINGE PARTS LIST**

ITEM	PART #	QTY	DESCRIPTION	ITEM	PART #	QTY	DESCRIPTION
	A1281	1	TAIL HINGE ASSY	5	A10138-2	1	VERTICAL PLATE ASSY
1	A10141	1	TAIL HINGE ANGLE ASSY	6	101071	2	WASHER, FLAT
2	A10137	2	PIN ASSY	7	101076	2	COTTER PIN, 2 1/2 LG.
3	10139	2	VERTICAL PLATE	8	100037	2	GREASE ZERK
4	A10138-1	1	VERTICAL PLATE ASSY	9	100974	1	DECAL, TAIL HINGE