



RL-E55

PARTS LIST

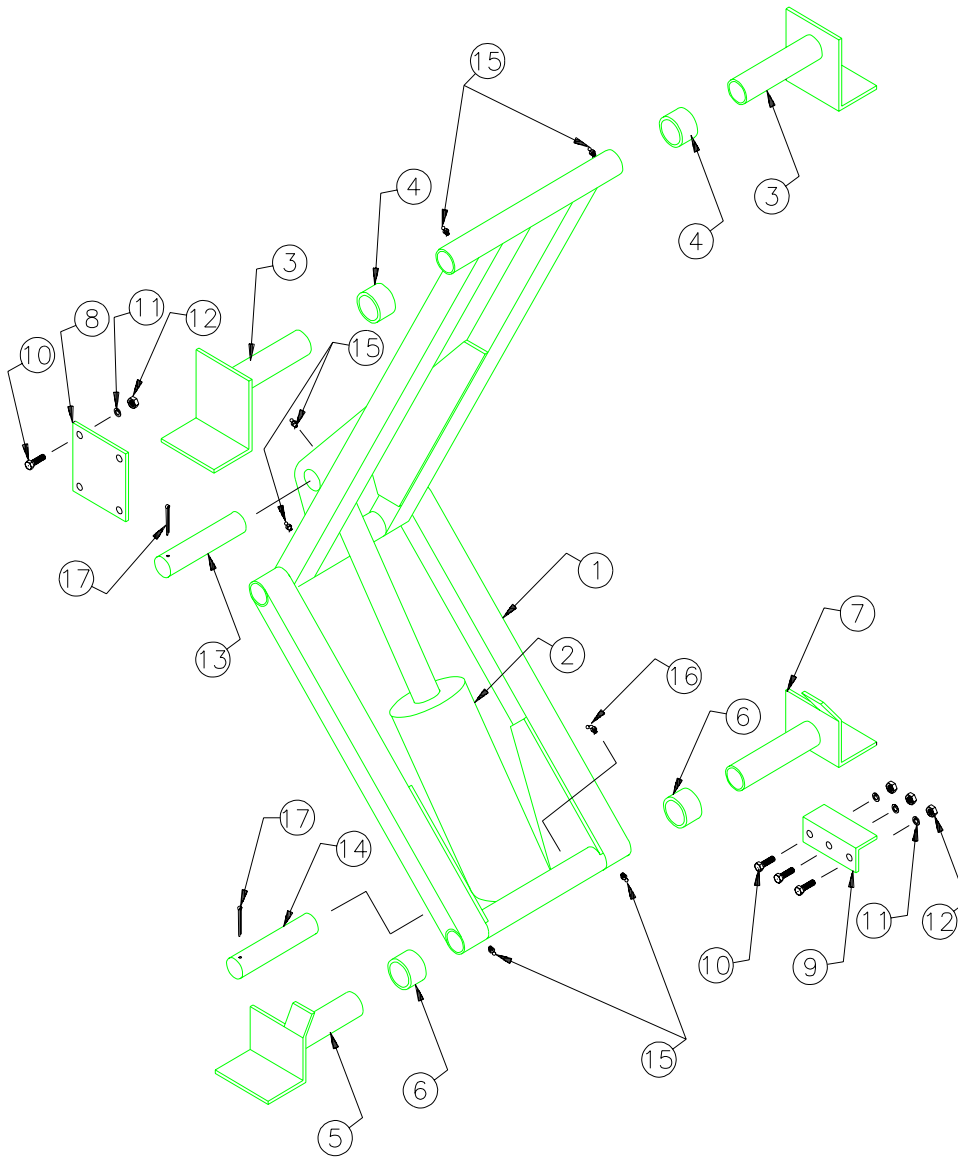
Hoist Serial number 001 to _____

IF YOUR HOIST DOES NOT FALL WITHIN THE SERIAL NUMBER BREAKS,
YOU WILL NEED TO CONTACT HARSH TO GET THE APPROPRIATE MANUAL

Harsh International, Inc.
600 Oak Avenue
Eaton, CO 80615
(970) 454-2291
Fax: (970) 454-3491

Price: \$2.50

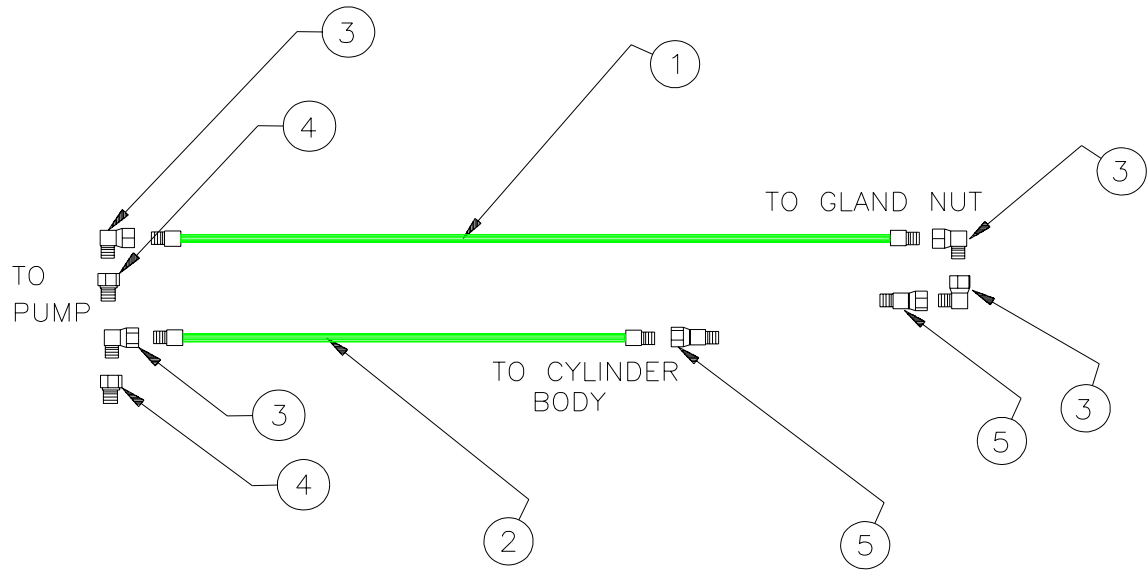
Parts book number: **102691E**



**E55 HOIST
SCISSOR ASSEMBLY**

ITEM	PART #	QTY	DESCRIPTION	ITEM	PART #	QTY	DESCRIPTION
1	A16502	1	SCISSOR ASSEMBLY	10	100230	14	SCREW, HEX HD CAP
*2	A1751	1	CYLINDER ASSEMBLY (COMPLETE)	11	100272	14	WASHER, LOCK
3	A16527	2	UPPER MOUNT	12	100250	14	NUT, HEX
4	15877	2	SPACER TUBE, 3 OD	13	16521	1	CYLINDER MOUNT PIN, 13 3/4 LG
5	A16525	1	LOWER MOUNT	14	16522	1	CYLINDER MOUNT PIN, 16 5/8 LG
6	15573	2	SPACER TUBE, 3 OD	15	100037	6	GREASE ZERK, DRIVE-IN
7	A16526	1	LOWER MOUNT	16	100875	2	GREASE ZERK, 45 DEG
8	11126	2	STRINGER PLATE	17	102132	2	PIN, COTTER 4 LG
9	11127	2	FRAME ATTACHMENT ANGLE	*18	A9777	1	DECAL KIT

NOTE: *2 - A1751 INCLUDES CYLINDER ASSY & ZERKS.
 *18 - A9777 INCLUDES ALL DECALS USED ON HOIST.
 SOME HOISTS MAY HAVE SELF TAPPING ZERKS IN VARIOUS LOCATIONS.

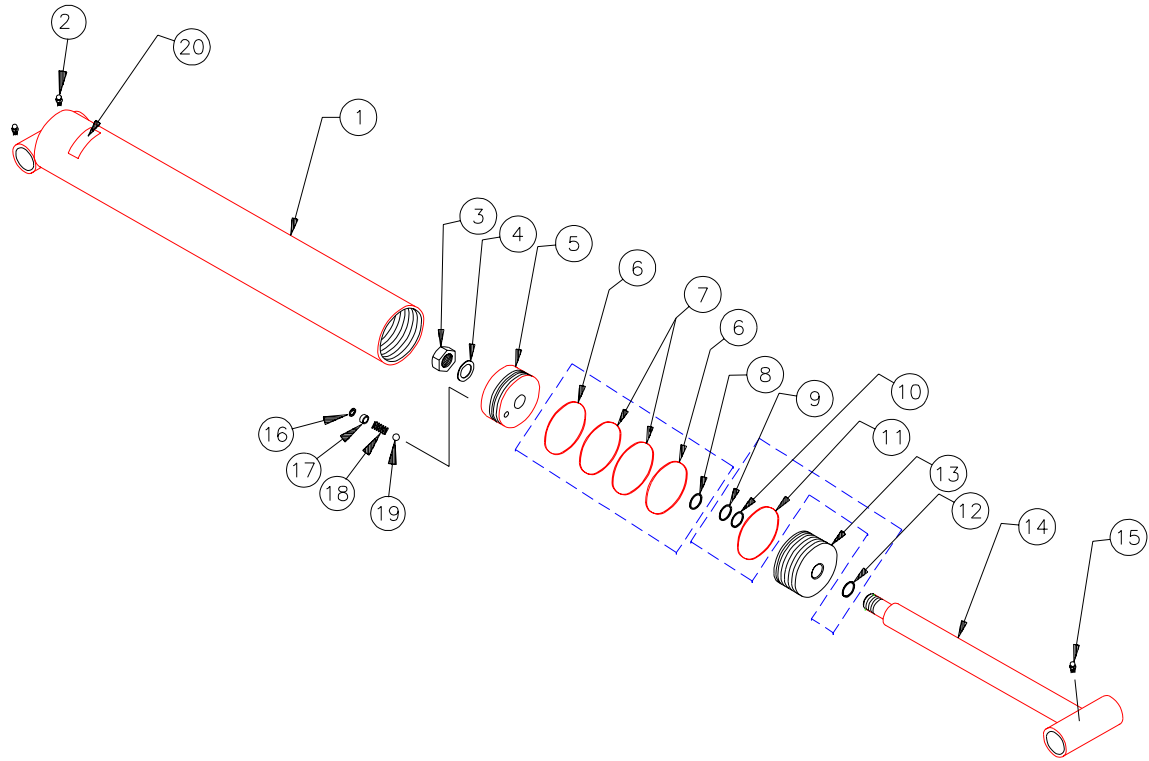


E55 HOIST HOSE ASSEMBLY

ITEM	PART #	QTY	DESCRIPTION	ITEM	PART #	QTY	DESCRIPTION
1	100973	1	HOSE ASSEMBLY, 72 LG	*4	100015	2	BUSHING
2	100000	1	HOSE ASSEMBLY, 49 LG	5	102246	2	ADAPTER
*3	100451	4	ELBOW, 90 DEG.				

NOTE: *3 - FOR PUMP USE 100451 QTY. 4

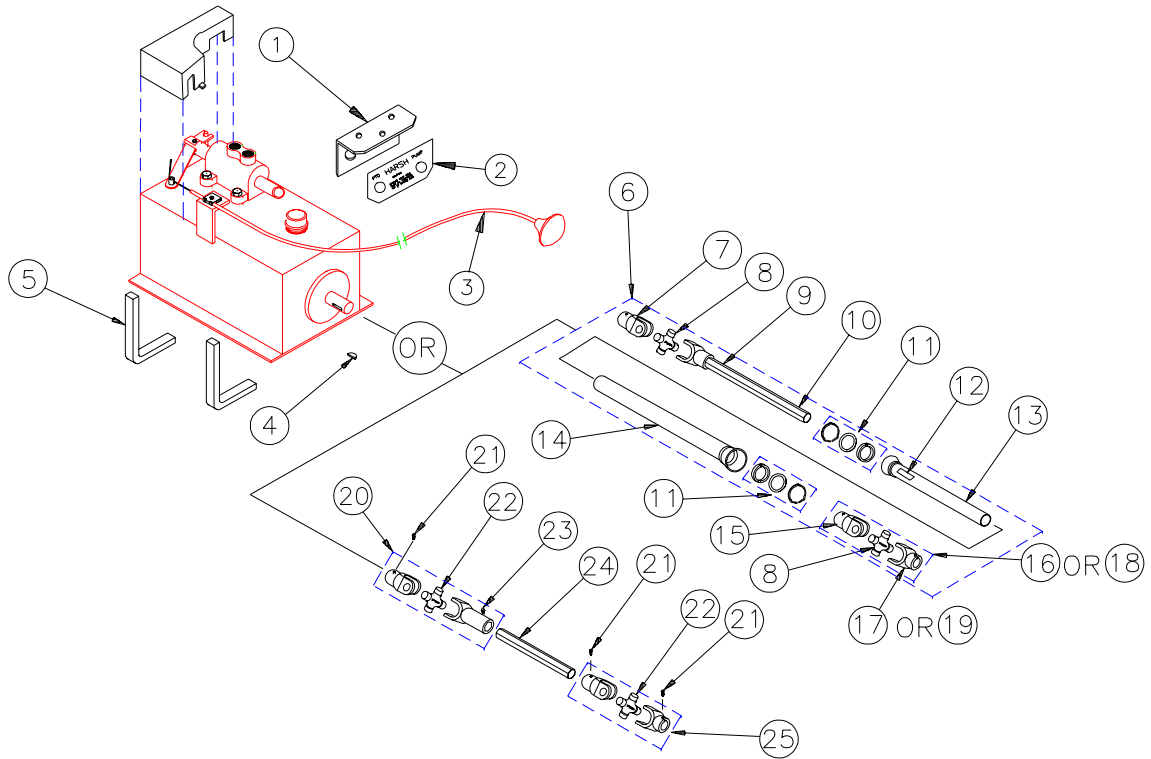
*4 - FOR TANK & VALVE ADD BUSHINGS (100015) TO ELBOW (100451) BEFORE CONNECTING TO VALVE.



E55 HOIST CYLINDER PARTS LIST

ITEM	PART #	QTY	DESCRIPTION	ITEM	PART #	QTY	DESCRIPTION
*	A1751	1	CYLINDER ASSEMBLY (COMPLETE)	*10	100623	1	BACK-UP RING
1	A16481	1	CYLINDER BODY ASSEMBLY	*11	102338	1	O-RING
2	100875	2	GREASE ZERK, 45 DEG.	*12	100561	1	WIPER RING
3	100253	1	NUT	13	16489	1	GLAND NUT
4	101071	1	WASHER, FLAT	14	A16486	1	CYLINDER ROD ASSY
5	16485	1	PISTON	15	100037	1	GREASE ZERK (DRIVE-IN)
	A9434	1	SEAL KIT	16	101349	1	RETAINING RING
*6	100429	2	O-RING	17	13212	1	TUBE, SPACER
*7	100617	2	BACK-UP RING	18	101347	1	SPRING
*8	100152	1	O-RING	19	101348	1	BALL
	A9435	1	SEAL KIT	20	101045	1	DECAL, MAX CYL PRESS 3300 PSI
*9	100557	1	O-RING				

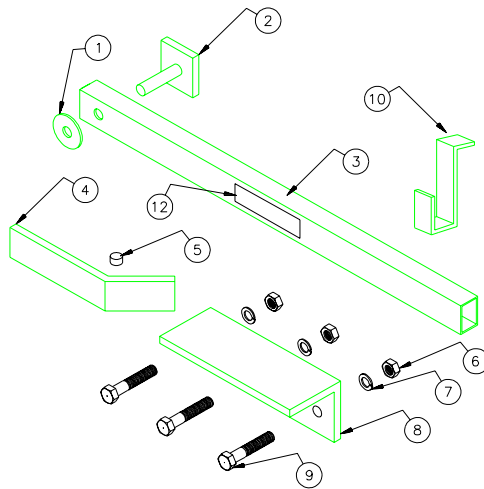
NOTE: *A1751 - INCLUDES CYLINDER ASSY AND ZERKS.
 *6-8 - NOT SOLD SEPARATELY, SOLD AS SEAL KIT #A9434 ONLY.
 *9-12 - NOT SOLD SEPARATELY, SOLD AS SEAL KIT #A9435 ONLY.



PTO SHAFT AND PUMP ACCESSORIES

ITEM	PART #	QTY	DESCRIPTION	ITEM	PART #	QTY	DESCRIPTION
	A12261	1	CONTROL CABLE ASSEMBLY	14	9794	1	SHIELD, INNER
*1	12258	1	BRACKET, CONTROL CABLE	15	9796	1	YOKE, SLIP 7/8 HEX BORE
*2	101117	1	DECAL, CONTROL CABLE BRACKET	*16	102944	1	U-JOINT ASSY, 7/8 HEX-1 1/4 RND BORE
*3	A1075	1	CONTROL CABLE ASSY, 15 FT	*17	9799	1	YOKE, PTO 1 1/4 RND BORE
4	4451	1	KEY, WOODRUFF	*18	103000	1	U-JOINT ASSY, 7/8 HEX-7/8 RND BORE
5	10062	2	PUMP BRACKET	*19	9798	1	YOKE, PTO 7/8 RND BORE
*6	102942	1	DRIVE SHAFT, 7/8	20	100477	1	U-JOINT ASSY, SLIP
7	9802	1	YOKE, PUMP 1 RND BORE	21	100242	3	SET SCREW
8	9788	2	CROSS & BEARING KIT	22	4450	2	CROSS, U-JOINT
9	9801	1	DECAL, DANGER (SHAFT)	23	100218	1	ZERK
10	A9841	1	YOKE & SHAFT ASSY	24	11239	1	DRIVE SHAFT, 7/8 HEX
11	9795	2	KIT, BEARING SHIELD	25	100227	1	U-JOINT ASSY
12	9800	1	DECAL, DANGER (OUTSIDE SHIELD)	*26	100896	1	DECAL, HOIST OPER-PTO PUMP
13	9793	1	SHIELD, OUTER				

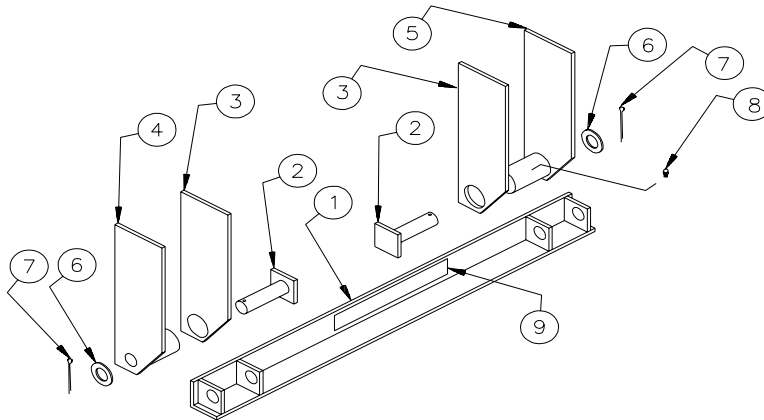
NOTE: *1,*2,*3 - INCLUDED IN ASSEMBLY A12261.
 *2 - APPLY DECAL #101117 TO BRACKET #12258.
 *6 - INCLUDES ITEMS #7 THROUGH #19.
 *16 OR *18 - USE EITHER #102944 (1 1/4 RND BORE) OR 103000 (7/8 RND BORE).
 *17 OR *19 - USE EITHER #9798 OR #9799.
 *26 - APPLY DECAL #100896 ON DASHBOARD AS NEAR AS POSSIBLE TO HOIST CONTROLS.



**E55 HOIST
SAFETY PROP PARTS LIST**

ITEM	PART #	QTY	DESCRIPTION	ITEM	PART #	QTY	DESCRIPTION
	A1387	1	SAFETY PROP ASSEMBLY	7	100272	3	WASHER, LOCK
1	101121	1	WASHER, FLAT	8	12251	1	BOTTOM ANGLE
2	A12245	1	PIN PLATE ASSEMBLY	9	100230	3	SCREW, HEX HD CAP
3	12243	1	SAFETY BOX PROP	10	12256	1	BRACKET, LATCHING
4	12249	1	SIDE PLATE	*11	101101	2	DECAL, BOX PROP (10 x 4 3/4)
5	12248	1	STOP PEG	12	101102	1	DECAL, BOX PROP (9 1/4 x 1 1/2)
6	100250	3	NUT				

NOTE: *11 - APPLY ON OUTSIDE RUB RAIL IN AREA OF THE SERVICE SAFETY PROP. ONE DECAL ON EACH SIDE OF BOX.



**E55 HOIST
TAIL HINGE PARTS LIST**

ITEM	PART #	QTY	DESCRIPTION	ITEM	PART #	QTY	DESCRIPTION
	A1282	1	TAIL HINGE ASSY	5	A10167-2	1	VERTICAL PLATE ASSY
1	A10170	1	TAIL HINGE ANGLE ASSY	6	101070	2	WASHER, FLAT
2	A10164	2	PIN ASSY	7	101077	2	COTTER PIN, 2" LG.
3	10165	2	VERTICAL PLATE	8	100037	2	GREASE ZERK
4	A10167-1	1	VERTICAL PLATE ASSY	9	100974	1	DECAL, TAIL HINGE