



RL-E50

PARTS LIST

Hoist Serial number 5105 to _____

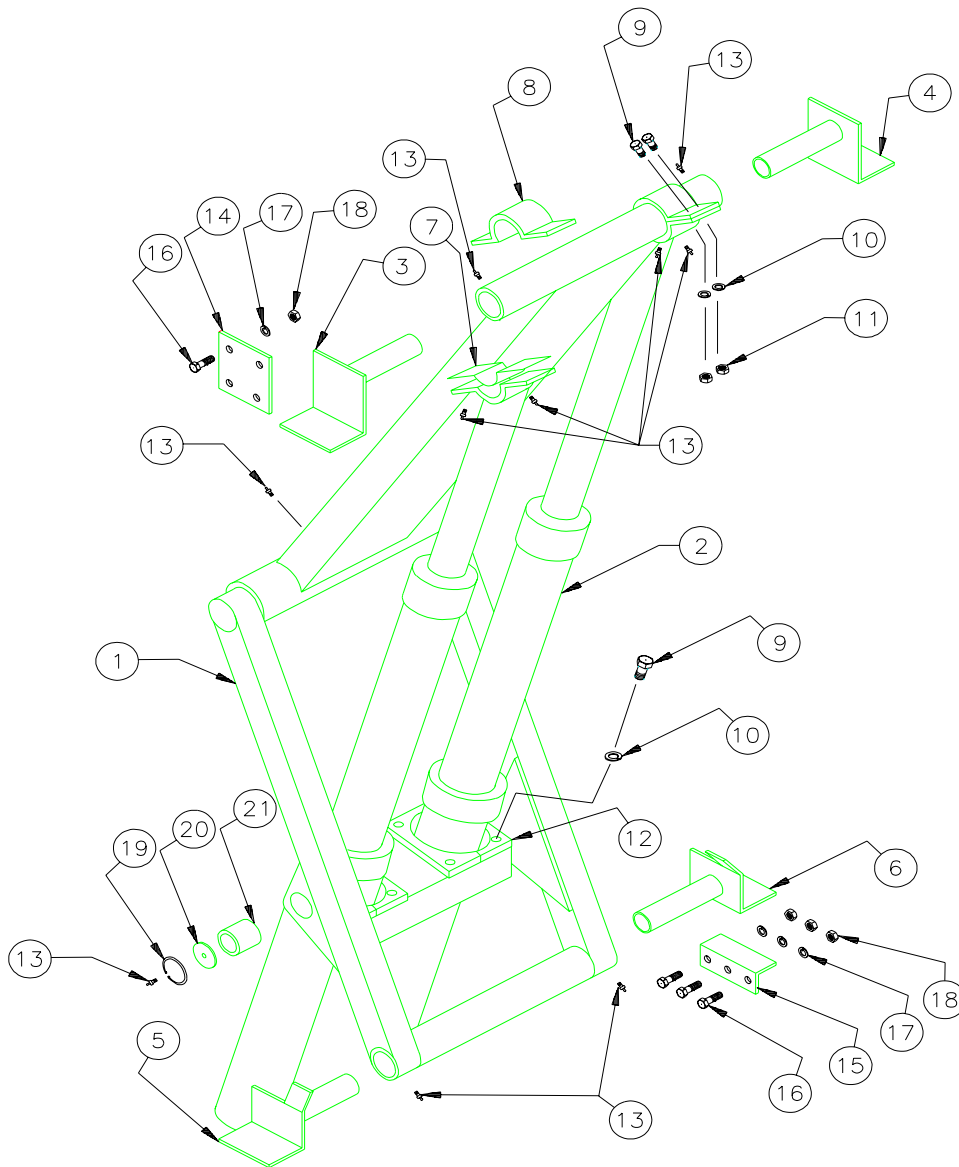
IF YOUR HOIST DOES NOT FALL WITHIN THE SERIAL NUMBER BREAKS,
YOU WILL NEED TO CONTACT HARSH TO GET THE APPROPRIATE MANUAL

FOR PUMP REPLACEMENT PARTS CONSULT PARTS LIST PROVIDED WITH THE PUMP

Harsh International, Inc.
600 Oak Avenue
Eaton, CO 80615
(970) 454-2291
Fax: (970) 454-3491

Price: \$2.50

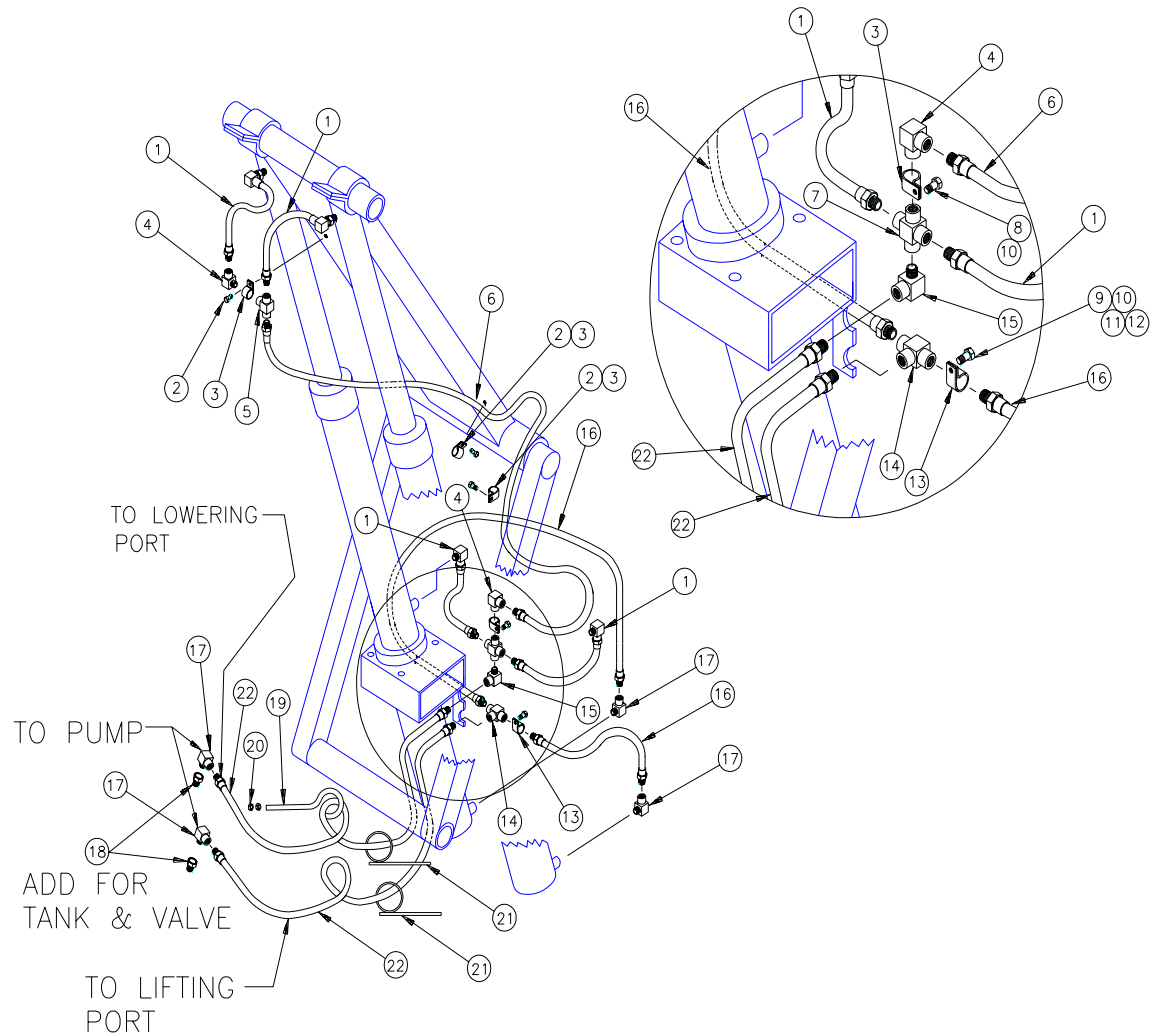
Parts book number: **102690F**



**E50 HOIST
SCISSOR ASSEMBLY**

ITEM	PART #	QTY	DESCRIPTION	ITEM	PART #	QTY	DESCRIPTION
1	A12903	1	SCISSOR ASSEMBLY	12	16344	4	MOUNTING FLANGE HALF
*2	A1249	2	CYLINDER ASSEMBLY (COMPLETE)	13	100037	11	GREASE FITTING, DRIVE IN
3	A11610-2	1	UPPER MOUNT	14	11126	2	STRINGER ATTACHMENT PLATE
4	A11610-1	1	UPPER MOUNT	15	11127	2	ANGLE, FRAME ATTACHMENT
5	A11611-1	1	LOWER MOUNT	16	100230	14	SCREW, HEX HD CAP
6	A11611-2	1	LOWER MOUNT	17	100272	14	WASHER, LOCK
7	12907	2	BUSHING, BRASS	18	100250	14	NUT, HEX
8	18631	2	UPPER CYLINDER MOUNT	19	100147	2	SNAP RING
9	100240	16	SCREW, HEX HD CAP	20	12899	2	PLATE, GREASE RETAINING
10	100271	16	WASHER, LOCK	21	12900	2	BUSHING
11	100254	8	NUT, HEX	*22	A9777	1	DECAL KIT

NOTE: *2 - A1249 INCLUDES CYLINDER ASSY, MOUNTING FLANGE HALVES, CYLINDER TOP MOUNT, BRASS BUSHING, SCREWS, LOCK WASHERS AND NUTS.
 *22 - A9777 INCLUDES ALL DECALS USED ON HOIST.
 SOME HOISTS MAY HAVE SELF TAPPING ZERKS IN VARIOUS LOCATIONS.



E50 HOIST HOSE ASSEMBLY

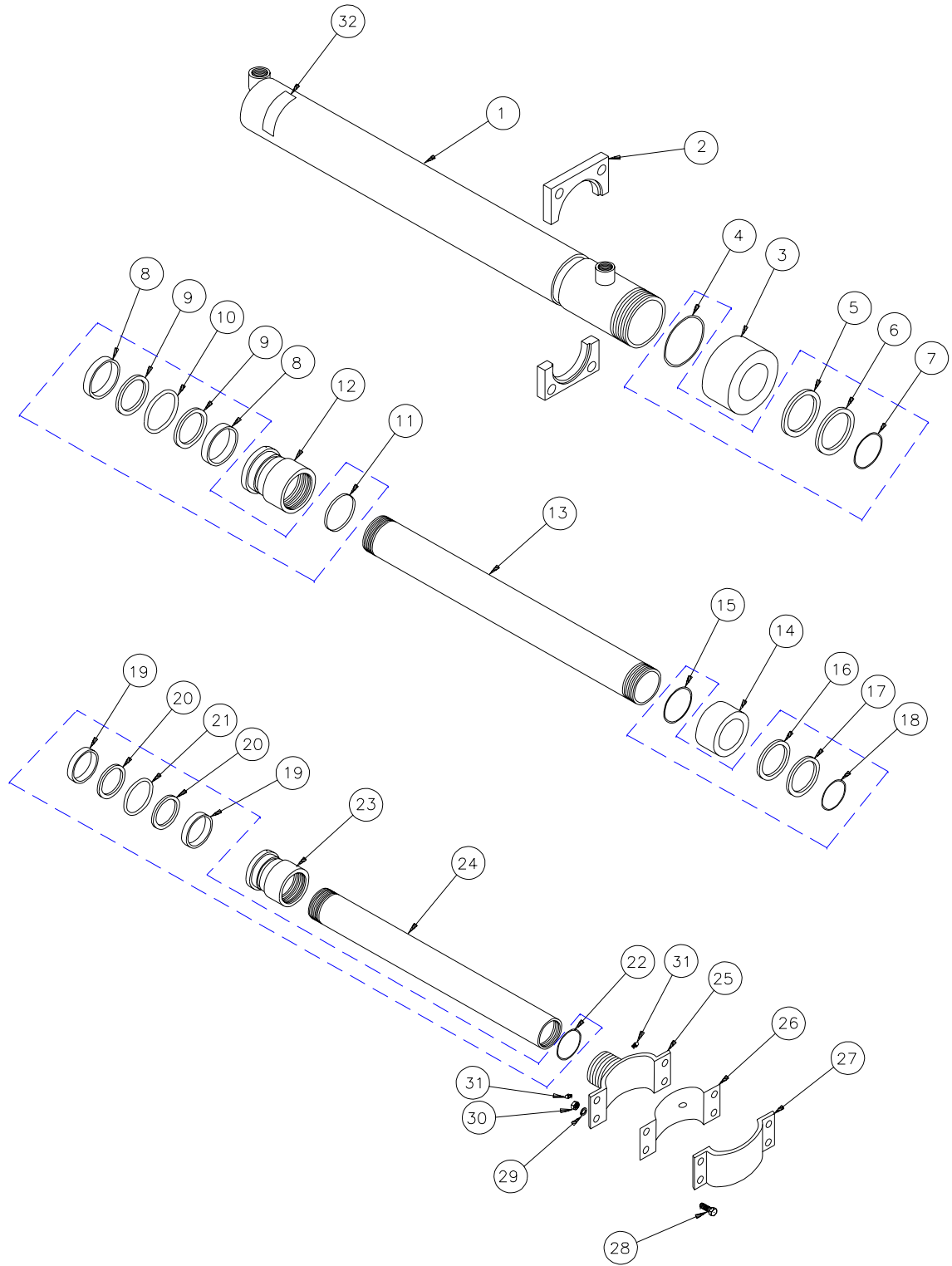
ITEM	PART #	QTY	DESCRIPTION	ITEM	PART #	QTY	DESCRIPTION
1	100937	4	HOSE ASSEMBLY	12	100221	1	NUT, HEX
2	100544	3	SCREW, HEX HD CAP	13	100935	1	HOSE CLAMP, 13/16 ID
3	100547	4	HOSE CLAMP, 11/16 ID	14	100010	1	TEE
4	100531	2	ELBOW	15	100527	1	ELBOW
5	100526	1	TEE	16	100939	2	HOSE ASSEMBLY
6	100938	1	HOSE ASSEMBLY	*17	100451	4	ELBOW
7	100936	1	CROSS	*18	100015	2	BUSHING
8	101819	1	SCREW, HEX HD	*19	100563	1	EYE BOLT
9	100109	1	SCREW, RND HD	*20	100254	2	NUT, HEX
10	100304	2	WASHER, LOCK	*21	A11166	2	HOSE SUPPORT
11	100443	1	WASHER, FLAT	22	100973	2	HOSE ASSEMBLY

NOTE: *17 - FOR PUMP USE 100451 QTY. 4.

*18 - FOR TANK & VALVE ADD BUSHINGS (100015) TO ELBOW (100451) BEFORE CONNECTING TO VALVE.

*19,20,21 - USED TO SUPPORT ITEM #22 (100973) HOSE ASSEMBLY TO CHASSIS.

E50 HOIST CYLINDER PARTS



**E50 HOIST
CYLINDER PARTS LIST**

ITEM	PART #	QTY	DESCRIPTION	ITEM	PART #	QTY	DESCRIPTION
*	A1249	2	CYLINDER ASSEMBLY (COMPLETE)		A9170	1	SEAL KIT
1	A16345	1	CYLINDER BODY ASSEMBLY	*19	100575	2	WEAR RING
2	16344	2	MOUNTING FLANGE HALF	*20	100732	2	BACK-UP RING
3	11624	1	GLAND NUT	*21	100153	1	O-RING
	A9167	1	SEAL KIT	*22	100748	1	O-RING
*4	100192	1	O-RING	23	11621	1	PISTON
*5	100156	1	O-RING	24	11625	1	TUBE, CYLINDER (SECOND STAGE)
*6	100603	1	BACK-UP RING	25	A11616	1	CYLINDER MOUNT
*7	100383	1	WIPER RING	26	12907	1	BUSHING, BRASS
	A9168	1	SEAL KIT	27	18631	1	CYLINDER TOP MOUNT
*8	100576	2	WEAR RING	28	100240	4	SCREW, HEX HD CAP
*9	100731	2	BACK-UP RING	29	100271	4	WASHER, LOCK
*10	100157	1	O-RING	30	100254	4	NUT, HEX
*11	100749	1	O-RING	31	100037	2	GREASE FITTING, DRIVE IN
12	11622	1	PISTON	32	101045	1	DECAL, MAX CYL PRESS 3300PSI
13	11626	1	TUBE, CYLINDER (FIRST STAGE)				
14	11623	1	GLAND NUT				
	A9169	1	SEAL KIT				
*15	100190	1	O-RING				
*16	100747	1	O-RING				
*17	100864	1	BACK-UP RING				
*18	100135	1	WIPER RING				

NOTE: * - A1249 INCLUDES CYLINDER ASSY, MOUNTING FLANGE HALVES, CYLINDER TOP MOUNT, BRASS BUSHING, SCREWS, LOCK WASHERS AND NUTS .

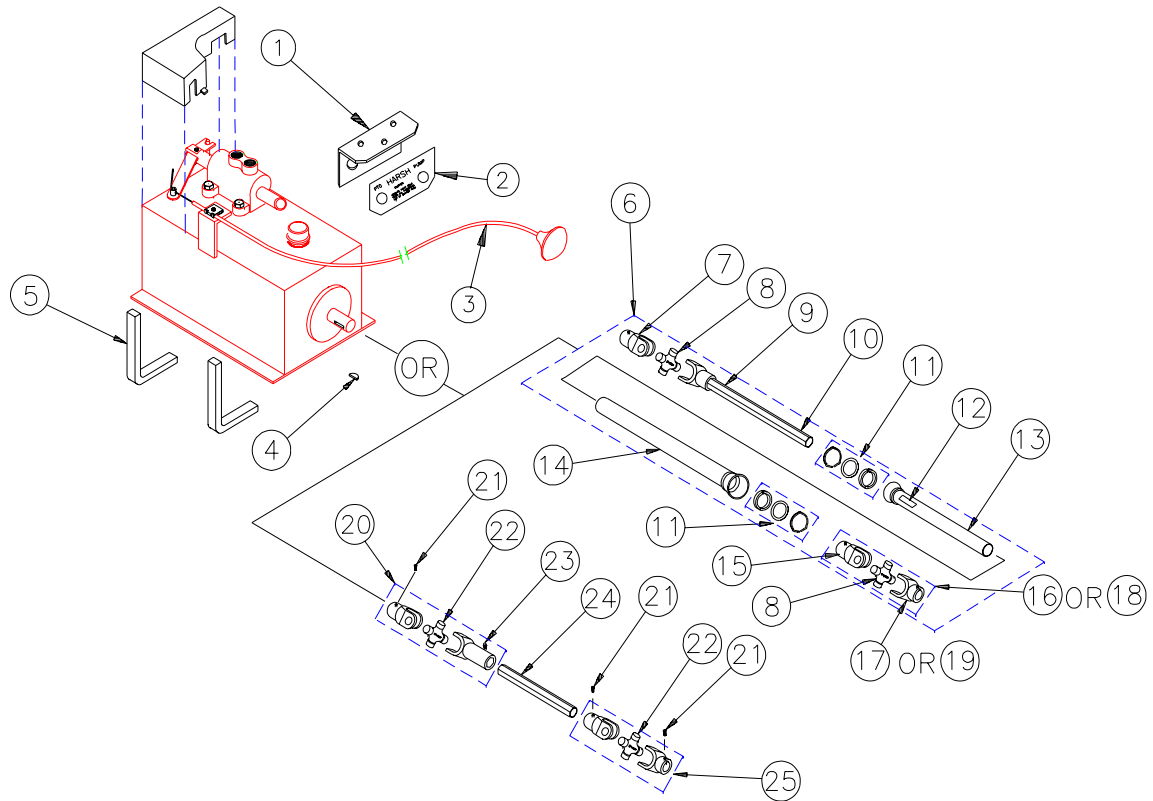
*4-7 - NOT SOLD SEPARATELY, SOLD AS SEAL KIT #A9167 ONLY.

*8-11 - NOT SOLD SEPARATELY, SOLD AS SEAL KIT #A9168 ONLY.

*15-18 - NOT SOLD SEPARATELY, SOLD AS SEAL KIT #A9169 ONLY.

*19-22 - NOT SOLD SEPARATELY, SOLD AS SEAL KIT #A9170 ONLY

PTO SHAFT AND PUMP ACCESSORIES



ITEM	PART #	QTY	DESCRIPTION
*1			
*2			
*3			
4	4451	1	KEY, WOODRUFF
5	10062	2	PUMP BRACKET
*6	102942	1	DRIVE SHAFT, 7/8
7	9802	1	YOKE, PUMP 1 RND BORE
8	9788	2	CROSS & BEARING KIT
9	9801	1	DECAL, DANGER (SHAFT)
10	A9841	1	YOKE & SHAFT ASSY
11	9795	2	KIT, BEARING SHIELD
12	9800	1	DECAL, DANGER (OUTSIDE SHIELD)
13	9793	1	SHIELD, OUTER

ITEM	PART #	QTY	DESCRIPTION
14	9794	1	SHIELD, INNER
15	9796	1	YOKE, SLIP 7/8 HEX BORE
*16	102944	1	U-JOINT ASSY, 7/8 HEX-1 1/4 RND BORE
*17	9799	1	YOKE, PTO 1 1/4 RND BORE
*18	103000	1	U-JOINT ASSY, 7/8 HEX-7/8 RND BORE
*19	9798	1	YOKE, PTO 7/8 RND BORE
20	100477	1	U-JOINT ASSY, SLIP
21	100242	3	SET SCREW
22	4450	2	CROSS, U-JOINT
23	100218	1	ZERK
24	11239	1	DRIVE SHAFT, 7/8 HEX
25	100227	1	U-JOINT ASSY
*26	100896	1	DECAL, HOIST OPER-PTO PUMP

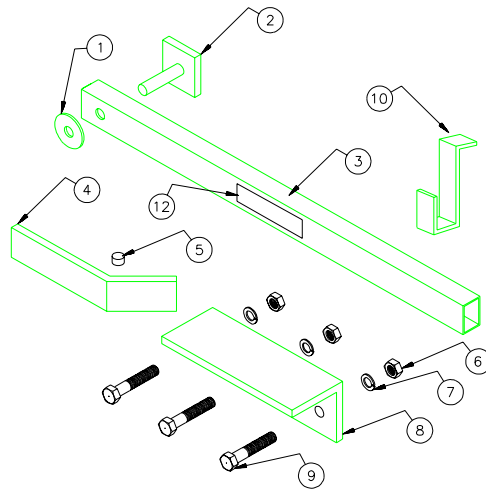
NOTE: *1 *2 *3 SEVERAL STYLES USED CALL HARSH PARTS FOR PART NUMBERS

*6 - INCLUDES ITEMS #7 THROUGH #19.

*16 OR *18 - USE EITHER #102944 (1 1/4 RND BORE) OR 103000 (7/8 RND BORE).

*17 OR *19 - USE EITHER #9798 OR #9799.

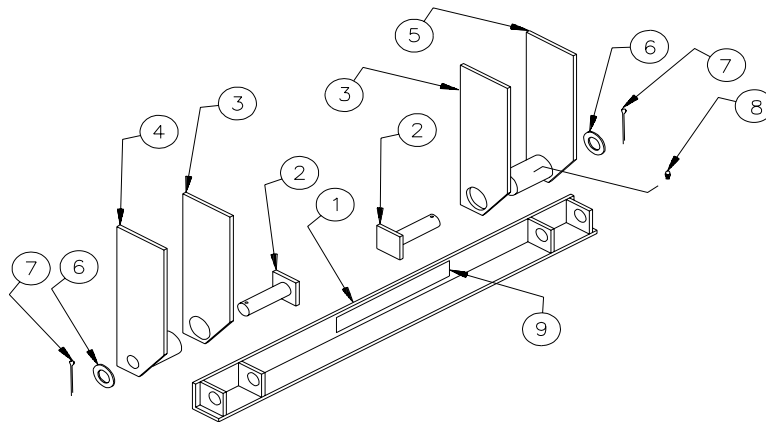
*26 - APPLY DECAL #100896 ON DASHBOARD AS NEAR AS POSSIBLE TO HOIST CONTROLS.



**E50 HOIST
SAFETY PROP PARTS LIST**

ITEM	PART #	QTY	DESCRIPTION	ITEM	PART #	QTY	DESCRIPTION
	A1387	1	SAFETY PROP ASSEMBLY	7	100272	3	WASHER, LOCK
1	101123	1	WASHER, FLAT	8	12251	1	BOTTOM ANGLE
2	A12245	1	PIN PLATE ASSEMBLY	9	100230	3	SCREW, HEX HD CAP
3	12243	1	SAFETY BOX PROP	10	12256	1	BRACKET, LATCHING
4	12249	1	SIDE PLATE	*11	101101	2	DECAL, BOX PROP (10 x 4 3/4)
5	12248	1	STOP PEG	12	101102	1	DECAL, BOX PROP (9 1/4 x 1 1/2)
6	100250	3	NUT				

NOTE: *11 - APPLY ON OUTSIDE RUB RAIL IN AREA OF THE SERVICE SAFETY PROP. ONE DECAL ON EACH SIDE OF BOX.



TAIL HINGE PARTS LIST

ITEM	PART #	QTY	DESCRIPTION	ITEM	PART #	QTY	DESCRIPTION
	A1282	1	TAIL HINGE ASSY	5	A10167-2	1	VERTICAL PLATE ASSY
1	A10170	1	TAIL HINGE ANGLE ASSY	6	101123	2	WASHER, FLAT
2	A10164	2	PIN ASSY	7	101077	2	COTTER PIN, 2" LG.
3	10165	2	VERTICAL PLATE	8	100037	2	GREASE ZERK
4	A10167-1	1	VERTICAL PLATE ASSY	9	100974	1	DECAL, TAIL HINGE