



RL-D40

PARTS LIST

USE THIS PARTS LIST 102689E FOR:

Hoist Serial number 17062 to _____

For older hoists use the following:

Parts list no. 102689C for serial number 15327 to 17061.

Parts list no. 102689 for serial number 001 to 15326.

Harsh International, Inc.

600 Oak Avenue

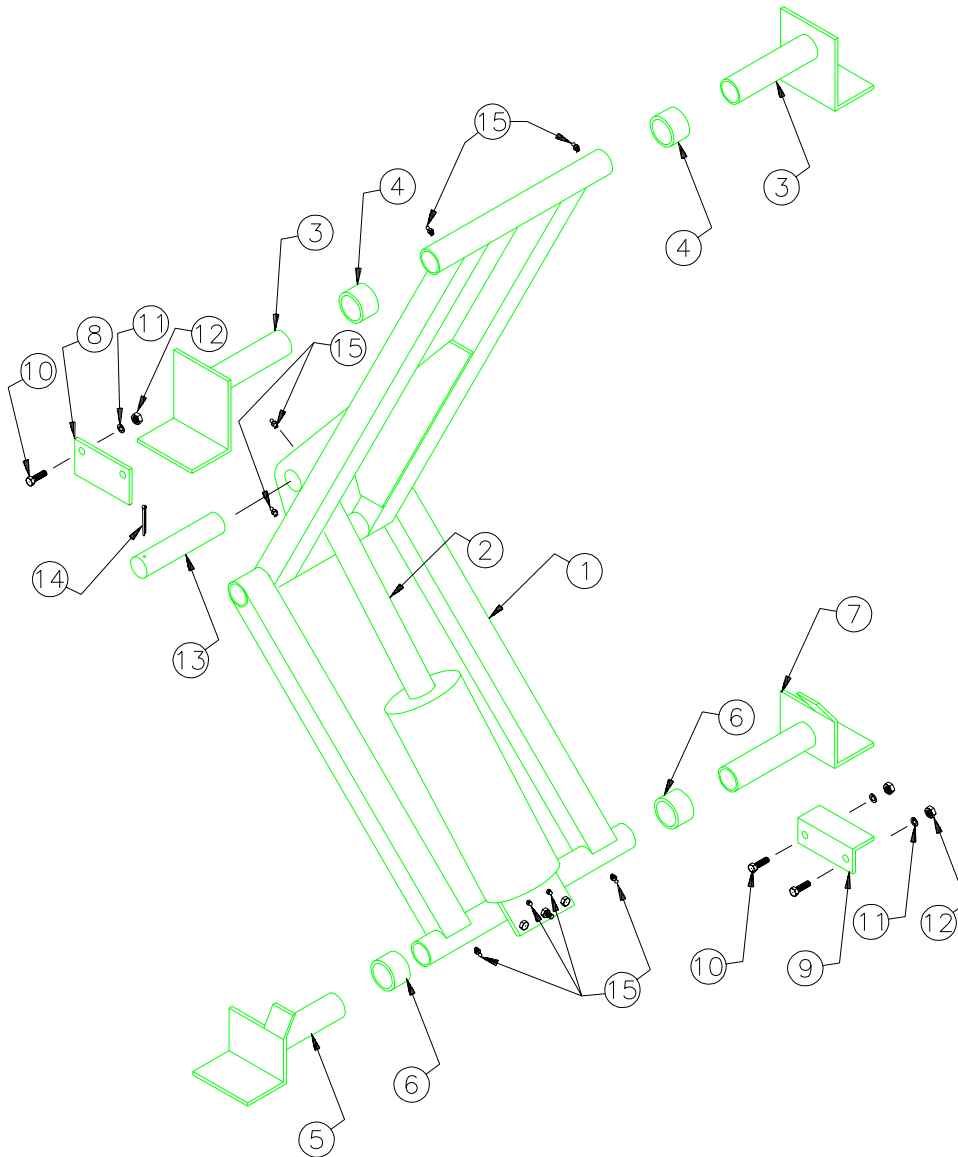
Eaton, CO 80615

(970) 454-2291

Fax: (970) 454-3491

Price: \$2.50

Parts book number: **102689E**



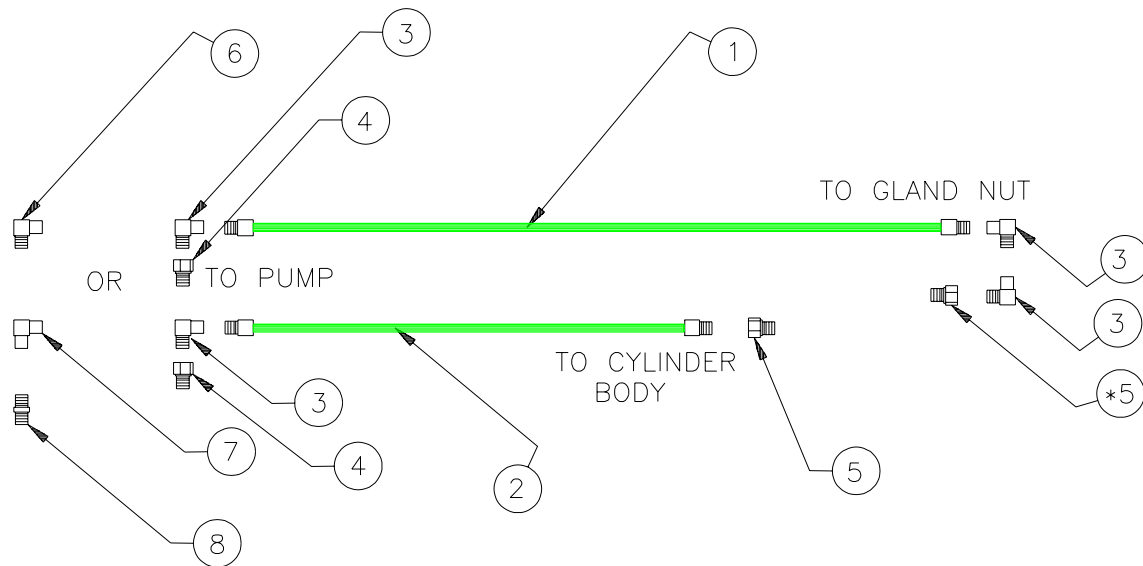
**D40 HOIST
SCISSOR ASSEMBLY**

ITEM	PART #	QTY	DESCRIPTION	ITEM	PART #	QTY	DESCRIPTION
1	A15837	1	SCISSOR ASSEMBLY	9	10047	2	FRAME ATTACHMENT ANGLE
*2	A1718	1	CYLINDER ASSEMBLY (COMPLETE)	10	100230	8	SCREW, HX HD CAP
3	A15874	2	UPPER MOUNT	11	100272	8	WASHER, LOCK
4	15877	2	SPACER TUBE 3 OD	12	100250	8	NUT, HX
5	A15872	1	LOWER MOUNT	13	15876	1	CYLINDER MOUNT PIN
6	15573	2	SPACER TUBE 3 OD	14	102132	1	COTTER PIN
7	A15871	1	LOWER MOUNT	15	100037	8	GREASE FITTING (DRIVE IN)
8	10039	2	STRINGER PLATE	*16	A9776	1	DECAL KIT

NOTE: *2 - A1718 INCLUDES CYLINDER ASSY, BOLTS, LOCK WASHERS, NUTS, ZERKS AND SPACER.

*16 - A9776 INCLUDES ALL DECALS USED ON HOIST.

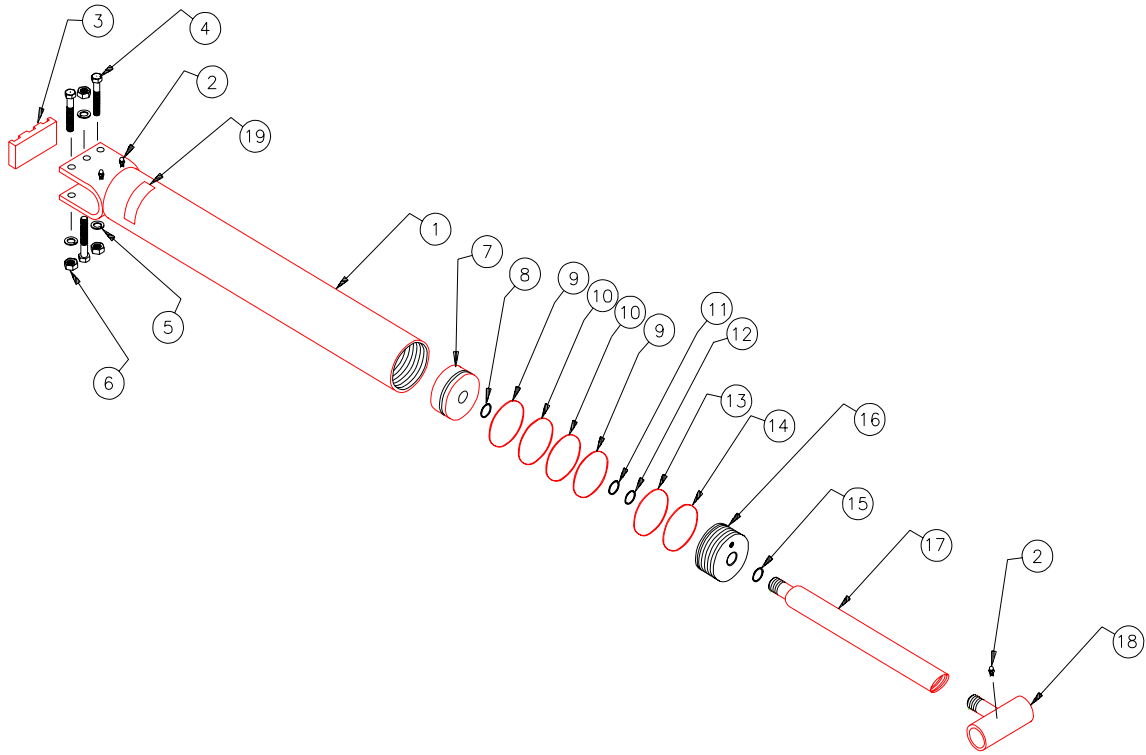
SOME HOISTS MAY HAVE SELF TAPPING ZERKS IN VARIOUS LOCATIONS.



**D40 HOIST
HOSE ASSEMBLY**

ITEM	PART #	QTY	DESCRIPTION	ITEM	PART #	QTY	DESCRIPTION
1	100973	1	HOSE ASSEMBLY 72" LG	*5	102246	2	ADAPTER #6 SAE - 3/8F SWVL
2	100000	1	HOSE ASSEMBLY 49" LG	*6	100527	1	ELBOW,90 DEG 3/8F - 1/4M
*3	100451	4	ELBOW,90 DEG 3/8M - 3/8F	*7	102010	1	ELBOW,90 DEG 3/8F - 1/4F
*4	100015	2	BUSHING	*8	102011	1	ADAPTER 1/4M - 1/4M

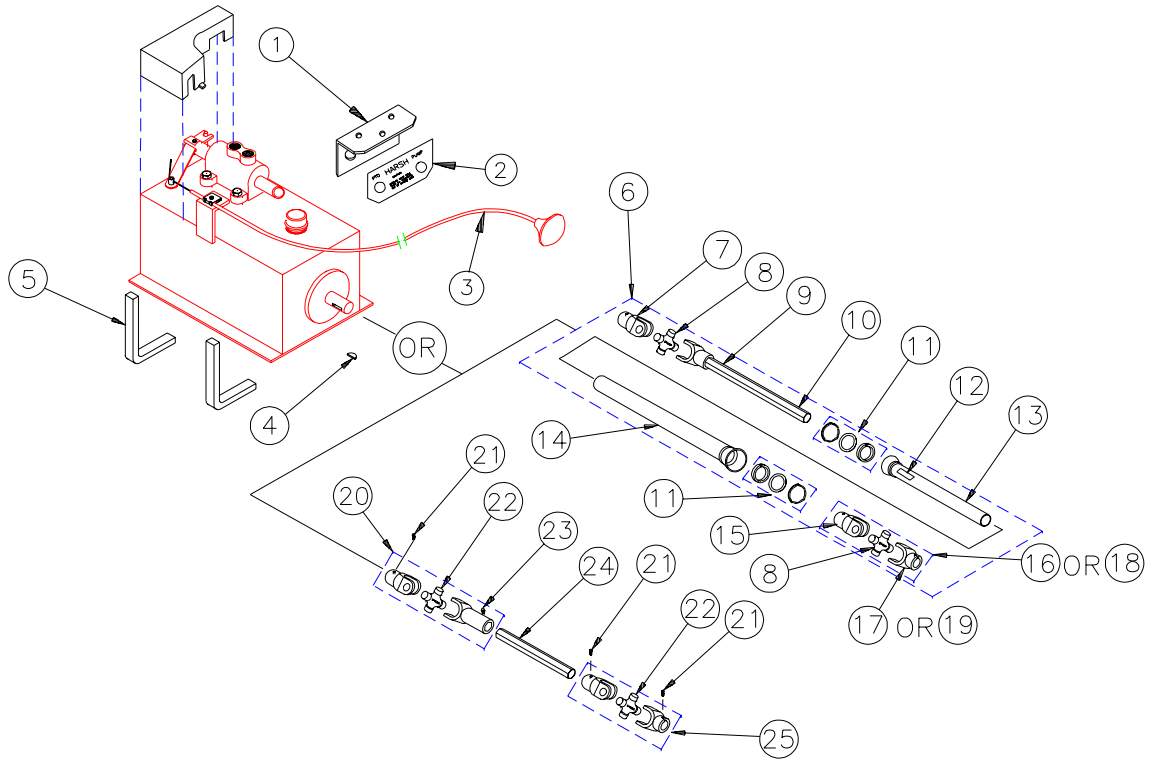
NOTE: *3 - FOR PUMP USE 100451 QTY.4
 *3 - FOR ELEC PUMP USE 100451 QTY.2
 *4 - FOR TANK & VALVE ADD BUSHINGS (100015) TO ELBOW (100451) BEFORE CONNECTING TO VALVE.
 *5 - ADAPTER (102246) ON GLAND NUT IS INCLUDED IN CYLINDER ASSY.
 *6,7,8 - FOR USE ON MONARCH ELECTRIC PUMP (103012).



**D40 HOIST
CYLINDER PARTS LIST**

ITEM	PART #	QTY	DESCRIPTION	ITEM	PART #	QTY	DESCRIPTION
*	A1718	1	CYLINDER ASSEMBLY (COMPLETE)	A9015	1	SEAL KIT	
1	A15864	1	CYLINDER BODY ASSEMBLY	*11	100196	1	O-RING
2	100037	3	GREASE FITTING (DRIVE IN)	*12	100609	1	BACK-UP RING
3	15870	1	CYLINDER MNT SPACER	*13	100197	1	O-RING
4	100905	3	SCREW, HX HD CAP	*14	102735	1	BACK-UP RING
5	100272	3	WASHER, LOCK	*15	100199	1	WIPER RING
6	100250	3	NUT, HX	16	16334	1	GLAND NUT
7	15866	1	PISTON	17	10033	1	CYLINDER ROD TUBE
	A9417	1	SEAL KIT	18	A15867	1	CYLINDER TOP MNT ASSEMBLY
*8	100200	1	O-RING	19	101045	1	DECAL, MAX CYL PRESS 3300 PSI
*9	100165	2	O-RING				
*10	100608	2	BACK-UP RING				

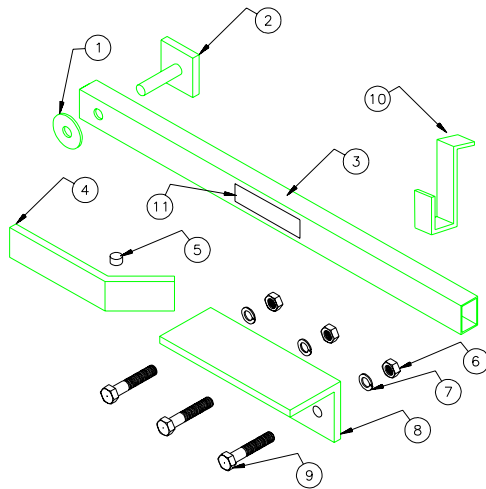
NOTE: *A1718 - INCLUDES CYLINDER ASSY, SCREWS, LOCK WASHERS, NUTS, ZERKS AND SPACER.
 *8-10 - NOT SOLD SEPARATELY, SOLD AS SEAL KIT #A9417 ONLY.
 *11-15 - NOT SOLD SEPARATELY, SOLD AS SEAL KIT #A9015 ONLY.



PTO SHAFT AND PUMP ACCESSORIES

ITEM	PART #	QTY	DESCRIPTION	ITEM	PART #	QTY	DESCRIPTION
	A12261	1	CONTROL CABLE ASSEMBLY	14	9794	1	SHIELD, INNER
*1	12258	1	BRACKET, CONTROL CABLE	15	9796	1	YOKE, SLIP 7/8 HEX BORE
*2	101117	1	DECAL, CONTROL CABLE BRACKET	*16	102944	1	U-JOINT ASSY, 7/8 HEX-1 1/4 RND BORE
*3	A1075	1	CONTROL CABLE ASSY, 15 FT	*17	9799	1	YOKE, PTO 1 1/4 RND BORE
4	4451	1	KEY, WOODRUFF	*18	103000	1	U-JOINT ASSY, 7/8 HEX-7/8 RND BORE
5	10062	2	PUMP BRACKET	*19	9798	1	YOKE, PTO 7/8 RND BORE
*6	102942	1	DRIVE SHAFT, 7/8	20	100477	1	U-JOINT ASSY, SLIP
7	9802	1	YOKE, PUMP 1 RND BORE	21	100242	3	SET SCREW
8	9788	2	CROSS & BEARING KIT	22	4450	2	CROSS, U-JOINT
9	9801	1	DECAL, DANGER (SHAFT)	23	100218	1	ZERK
10	A9841	1	YOKE & SHAFT ASSY	24	11239	1	DRIVE SHAFT, 7/8 HEX
11	9795	2	KIT, BEARING SHIELD	25	100227	1	U-JOINT ASSY
12	9800	1	DECAL, DANGER (OUTSIDE SHIELD)	*26	100896	1	DECAL, HOIST OPER-PTO PUMP
13	9793	1	SHIELD, OUTER				

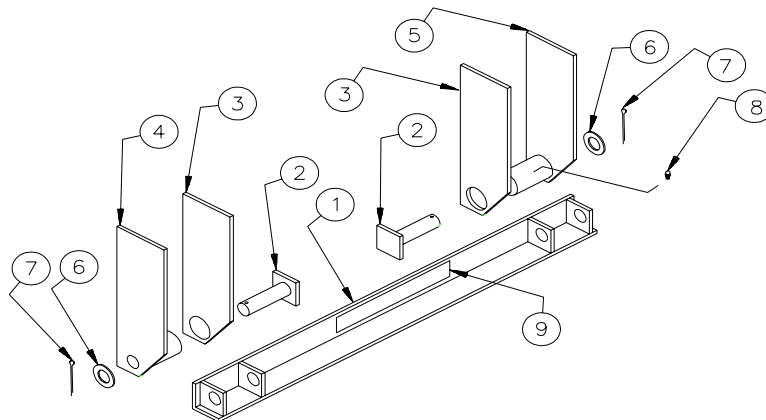
NOTE: *1,*2,*3 - INCLUDED IN ASSEMBLY A12261.
 *2 - APPLY DECAL #101117 TO BRACKET #12258.
 *6 - INCLUDES ITEMS #7 THROUGH #19.
 *16 OR *18 - USE EITHER #102944 (1 1/4 RND BORE) OR 103000 (7/8 RND BORE).
 *17 OR *19 - USE EITHER #9798 OR #9799.
 *26 - APPLY DECAL #100896 ON DASHBOARD AS NEAR AS POSSIBLE TO HOIST CONTROLS.



**D40 HOIST
SAFETY PROP PARTS LIST**

ITEM	PART #	QTY	DESCRIPTION	ITEM	PART #	QTY	DESCRIPTION
	A1387	1	SAFETY PROP ASSEMBLY	7	100272	3	LOCKWASHER
1	101123	1	WASHER, FLAT	8	12251	1	BOTTOM ANGLE
2	A12245	1	PIN PLATE ASSEMBLY	9	100230	3	SCREW, HEX HD CAP
3	12243	1	SAFETY BOX PROP	10	12256	1	BRACKET, LATCHING
4	12249	1	SIDE PLATE	*11	101101	2	DECAL, BOX PROP (10 x 4 3/4)
5	12248	1	STOP PEG	12	101102	1	DECAL, BOX PROP (9 1/4 x 1 1/2)
6	100250	3	NUT				

NOTE: *11 - APPLY ON OUTSIDE RUB RAIL IN AREA OF THE SERVICE SAFETY PROP. ONE DECAL ON EACH SIDE OF BOX.



**D40 HOIST
TAIL HINGE PARTS LIST**

ITEM	PART #	QTY	DESCRIPTION	ITEM	PART #	QTY	DESCRIPTION
	A1282	1	TAIL HINGE ASSEMBLY	5	A10167-2	1	VERTICAL PLATE ASSY
1	A10170	1	TAIL HINGE ANGLE ASSY	6	101123	2	WASHER, FLAT
2	A10164	2	PIN ASSY	7	101077	2	COTTER PIN, 2" LG.
3	10165	2	VERTICAL PLATE	8	100037	2	GREASE ZERK
4	A10167-1	1	VERTICAL PLATE ASSY	9	100974	1	DECAL, TAIL HINGE