



# RL-B10

## PARTS LIST

USE THIS PARTS LIST 102687F FOR:

Hoist Serial number 4453 to \_\_\_\_\_

For older hoists use the following:

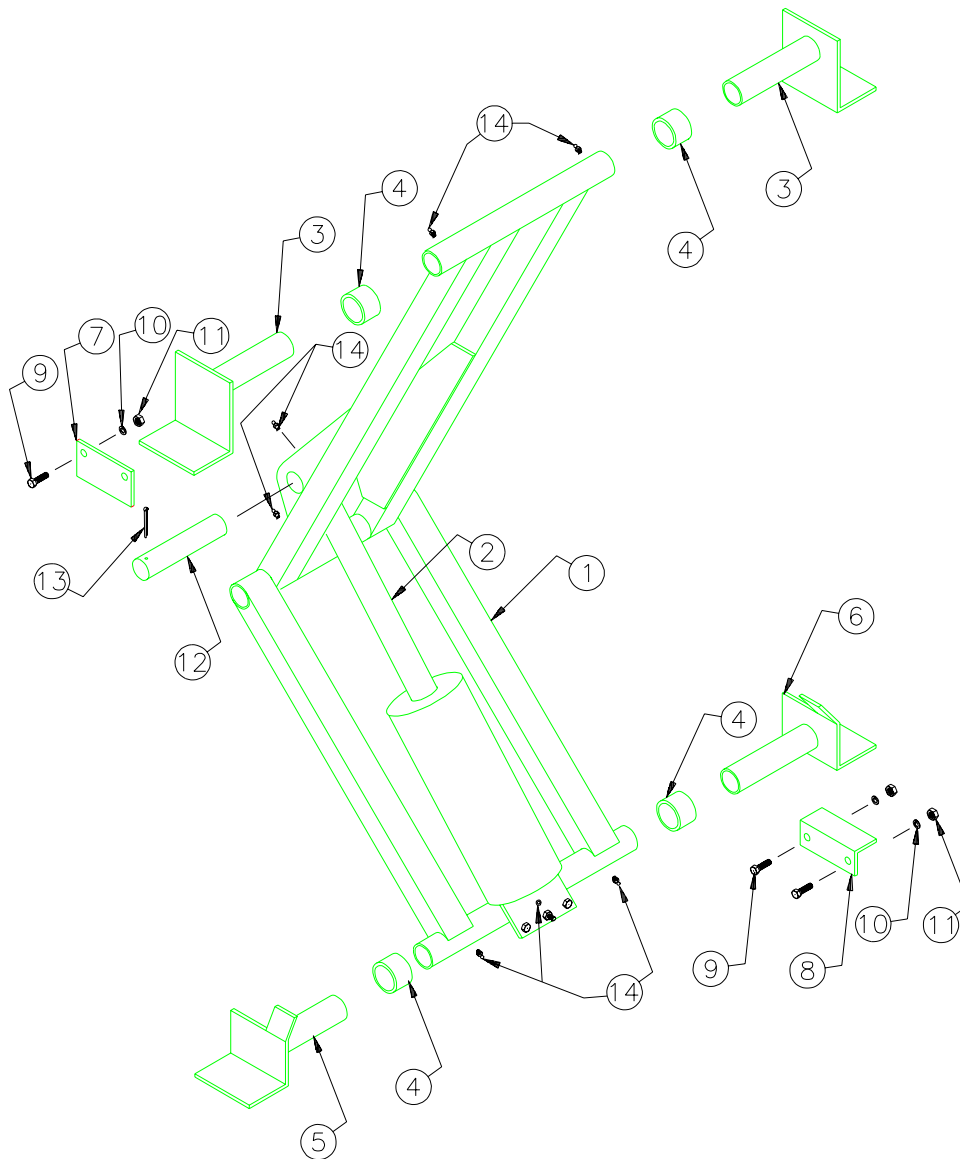
Parts list no. 102687D for serial number 1868 to 4452.

Parts list no. 102687A for serial number 001 to 1867.

Harsh International, Inc.  
600 Oak Avenue  
Eaton, CO 80615  
(970) 454-2291  
Fax: (970) 454-3491

Price: \$2.50

Parts book number: **102687F**



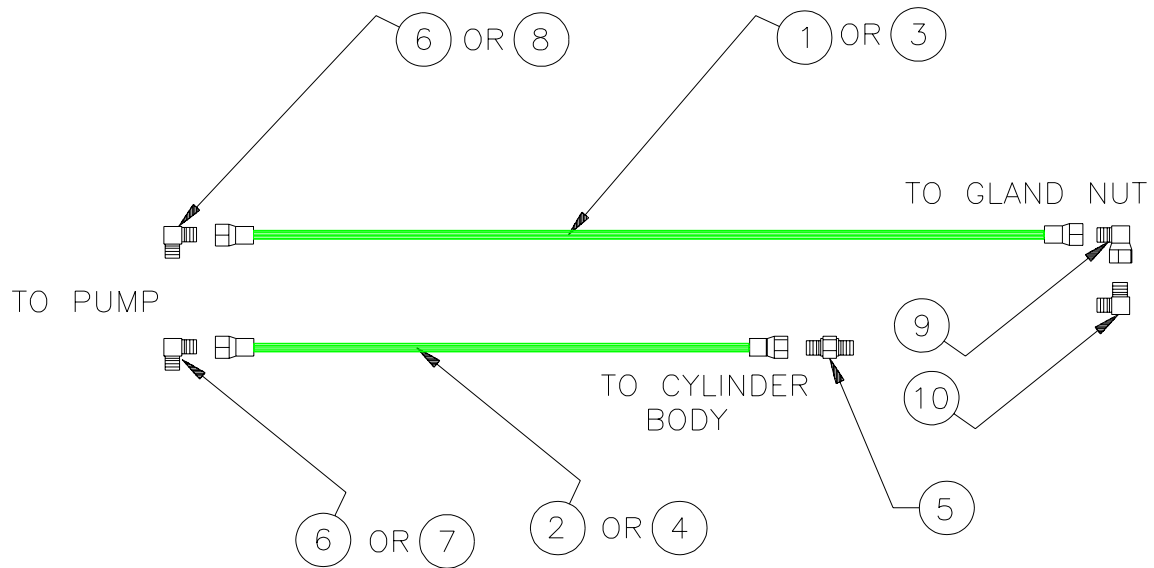
**B10 HOIST  
SCISSOR ASSEMBLY**

ITEM	PART #	QTY	DESCRIPTION	ITEM	PART #	QTY	DESCRIPTION
1	A15510	1	SCISSOR ASSEMBLY	9	100230	8	SCREW,HX HD CAP
*2	A1691	1	CYLINDER ASSEMBLY (COMPLETE)	10	100272	8	WASHER, LOCK
3	A14314	2	UPPER MOUNT	11	100250	8	NUT,HX
4	14487	4	SPACER TUBE 2 5/8 OD	12	15526	1	CYLINDER MOUNT PIN
5	A15530	1	LOWER MOUNT	13	101940	1	COTTER PIN
6	A15529	1	LOWER MOUNT	14	100037	7	GREASE FITTING (DRIVE IN)
7	10039	2	STRINGER PLATE	*15	A9775	1	DECAL KIT
8	10047	2	FRAME ATTACHMENT ANGLE				

**NOTE:** \*2 - A1691 INCLUDES CYLINDER ASSY, BOLTS, LOCK WASHERS, NUTS,ZERKS AND SPACER.

\*15 - A9775 INCLUDES ALL DECALS USED ON HOIST.

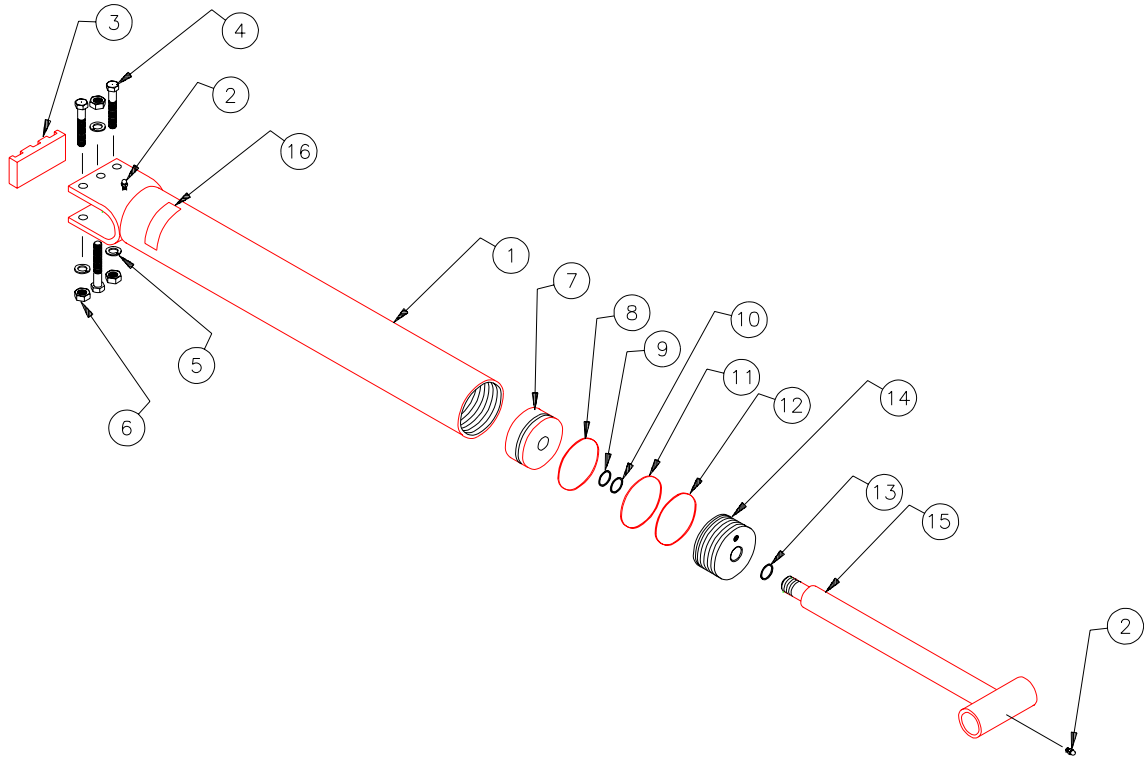
SOME HOISTS MAY HAVE SELF TAPPING ZERKS IN VARIOUS LOCATIONS.



**B10 HOIST  
HOSE ASSEMBLY**

ITEM	PART #	QTY	DESCRIPTION	ITEM	PART #	QTY	DESCRIPTION
*1	101640	1	HOSE ASSEMBLY 59" LG	*6	101244	2	ELBOW,90 DEG 3/8 NPT- #6 JIC
*2	101641	1	HOSE ASSEMBLY 39" LG	*7	101643	1	ELBOW,90 DEG 1/4 NPT- #6 JIC
*3	102238	1	HOSE ASSEMBLY 95" LG	*8	101966	1	ELBOW,90 DEG 1/4 NPT (LONG)
*4	102239	1	HOSE ASSEMBLY 75" LG	9	101937	1	ELBOW,90 DEG #6 JIC-#6 JIC
5	101644	1	ADAPTER #6 JIC-#6 SAE	*10	101642	1	ELBOW,90 DEG #6 JIC-#6 SAE

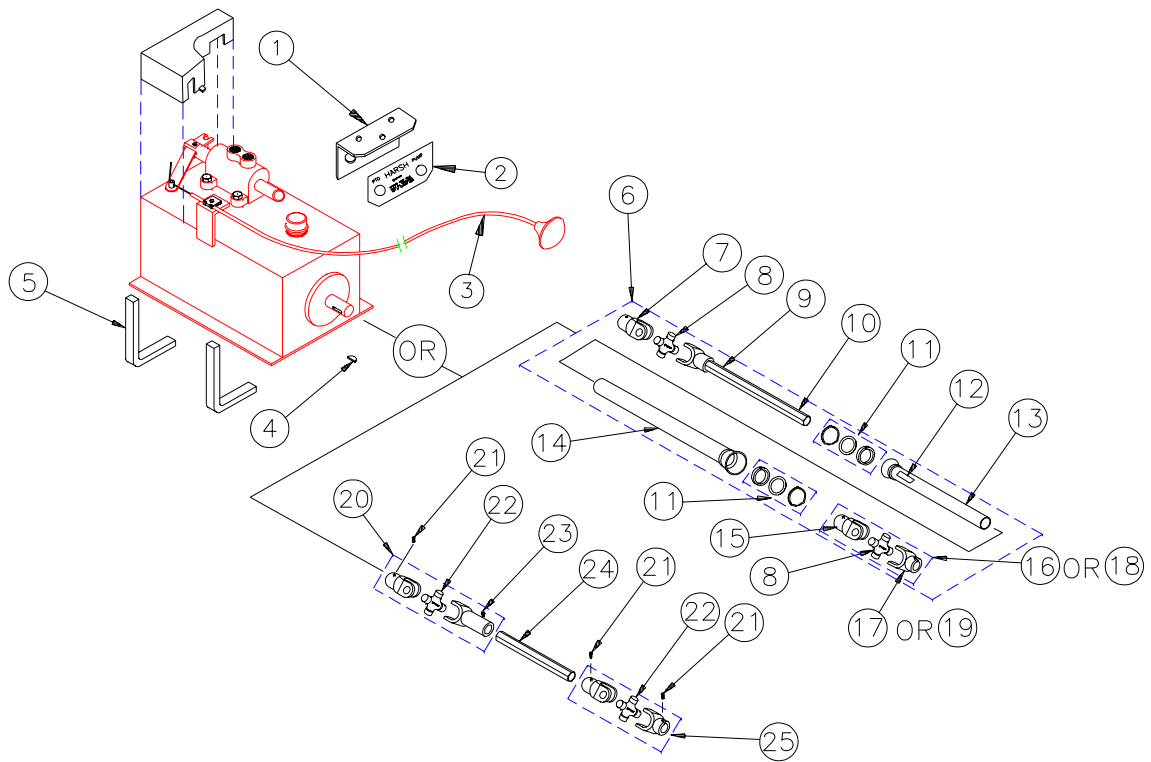
**NOTE:** \* 1, 2 & 6 - USED ON WILLIAMS PUMP (102120) AND TANK & VALVE (102323)  
 \* 3, 4, 7 & 8 - USED ON MONARCH ELECTRIC PUMP (103011)  
 \*10 - IS INCLUDED WITH CYLINDER ASSY.



**B10 HOIST  
CYLINDER PARTS LIST**

ITEM	PART #	QTY	DESCRIPTION	ITEM	PART #	QTY	DESCRIPTION
*	A1691	1	CYLINDER ASSEMBLY (COMPLETE)	*8	101934	1	CROWN SEAL
1	A15541	1	CYLINDER BODY ASSEMBLY	*9	101405	1	O-RING
2	100037	2	GREASE FITTING (DRIVE IN)	*10	101407	1	BACK-UP RING
3	15509	1	CYLINDER MNT SPACER	*11	101949	1	O-RING
4	102487	3	SCREW, HX HD CAP	*12	101950	1	BACK-UP RING
5	100657	3	WASHER, LOCK	*13	101423	1	WIPER RING
6	102489	3	NUT, HX	14	15543	1	GLAND NUT
7	15506	1	PISTON	15	A15502	1	CYLINDER ROD ASSEMBLY
	A9498	1	SEAL KIT	16	101936	1	DECAL, MAX CYL PRESS 2500PSI

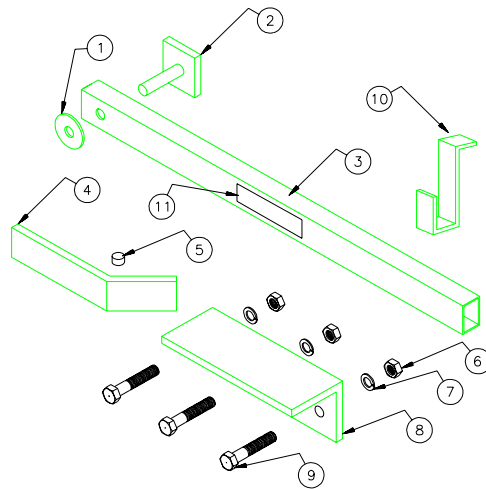
**NOTE:** \*A1691 - INCLUDES CYLINDER ASSY, SCREWS, LOCK WASHERS, NUTS, ZERKS AND SPACER.  
\*8-13 - NOT SOLD SEPARATELY, SOLD AS SEAL KIT #A9498 ONLY.



### PTO SHAFT AND PUMP ACCESSORIES

ITEM	PART #	QTY	DESCRIPTION	ITEM	PART #	QTY	DESCRIPTION
	A12261	1	CONTROL CABLE ASSEMBLY	14	9794	1	SHIELD, INNER
*1	12258	1	BRACKET, CONTROL CABLE	15	9796	1	YOKE, SLIP 7/8 HEX BORE
*2	101117	1	DECAL, CONTROL CABLE BRACKET	*16	102944	1	U-JOINT ASSY, 7/8 HEX-1 1/4 RND BORE
*3	A1075	1	CONTROL CABLE ASSY, 15 FT	*17	9799	1	YOKE, PTO 1 1/4 RND BORE
4	4451	1	KEY, WOODRUFF	*18	103000	1	U-JOINT ASSY, 7/8 HEX-7/8 RND BORE
5	10062	2	PUMP BRACKET	*19	9798	1	YOKE, PTO 7/8 RND BORE
*6	102942	1	DRIVE SHAFT, 7/8	20	100477	1	U-JOINT ASSY, SLIP
7	9802	1	YOKE, PUMP 1 RND BORE	21	100242	3	SET SCREW
8	9788	2	CROSS & BEARING KIT	22	4450	2	CROSS, U-JOINT
9	9801	1	DECAL, DANGER (SHAFT)	23	100218	1	ZERK
10	A9841	1	YOKE & SHAFT ASSY	24	11239	1	DRIVE SHAFT, 7/8 HEX
11	9795	2	KIT, BEARING SHIELD	25	100227	1	U-JOINT ASSY
12	9800	1	DECAL, DANGER (OUTSIDE SHIELD)	*26	100896	1	DECAL, HOIST OPER-PTO PUMP
13	9793	1	SHIELD, OUTER				

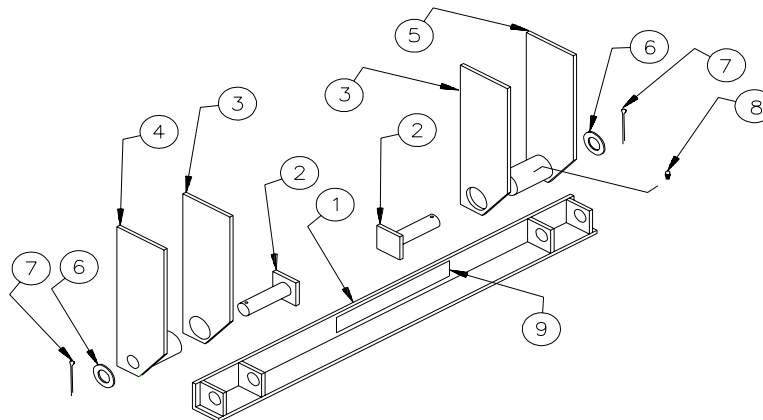
**NOTE:** \*1,\*2,\*3 - INCLUDED IN ASSEMBLY A12261.  
 \*2 - APPLY DECAL #101117 TO BRACKET #12258.  
 \*6 - INCLUDES ITEMS #7 THROUGH #19.  
 \*16 OR \*18 - USE EITHER #102944 (1 1/4 RND BORE) OR 103000 (7/8 RND BORE).  
 \*17 OR \*19 - USE EITHER #9798 OR #9799.  
 \*26 - APPLY DECAL #100896 ON DASHBOARD AS NEAR AS POSSIBLE TO HOIST CONTROLS.



**B10 HOIST  
SAFETY PROP PARTS LIST**

ITEM	PART #	QTY	DESCRIPTION	ITEM	PART #	QTY	DESCRIPTION
	A1387	1	SAFETY PROP ASSEMBLY	7	100272	3	LOCKWASHER
1	101123	1	WASHER, FLAT	8	12251	1	BOTTOM ANGLE
2	A12245	1	PIN PLATE ASSEMBLY	9	100230	3	SCREW, HEX HD CAP
3	12243	1	SAFETY BOX PROP	10	12256	1	BRACKET, LATCHING
4	12249	1	SIDE PLATE	*11	101101	2	DECAL, BOX PROP (10 x 4 3/4)
5	12248	1	STOP PEG	12	101102	1	DECAL, BOX PROP (9 1/4 x 1 1/2)
6	100250	3	NUT				

NOTE: \*11 - APPLY ON OUTSIDE RUB RAIL IN AREA OF THE SERVICE SAFETY PROP. ONE DECAL ON EACH SIDE OF BOX.



**B10 HOIST  
TAIL HINGE PARTS LIST**

ITEM	PART #	QTY	DESCRIPTION	ITEM	PART #	QTY	DESCRIPTION
	A1282	1	TAIL HINGE ASSEMBLY	5	A10167-2	1	VERTICAL PLATE ASSY
1	A10170	1	TAIL HINGE ANGLE ASSY	6	101123	2	WASHER, FLAT
2	A10164	2	PIN ASSY	7	101077	2	COTTER PIN, 2" LG.
3	10165	2	VERTICAL PLATE	8	100037	2	GREASE ZERK
4	A10167-1	1	VERTICAL PLATE ASSY	9	100974	1	DECAL, TAIL HINGE