

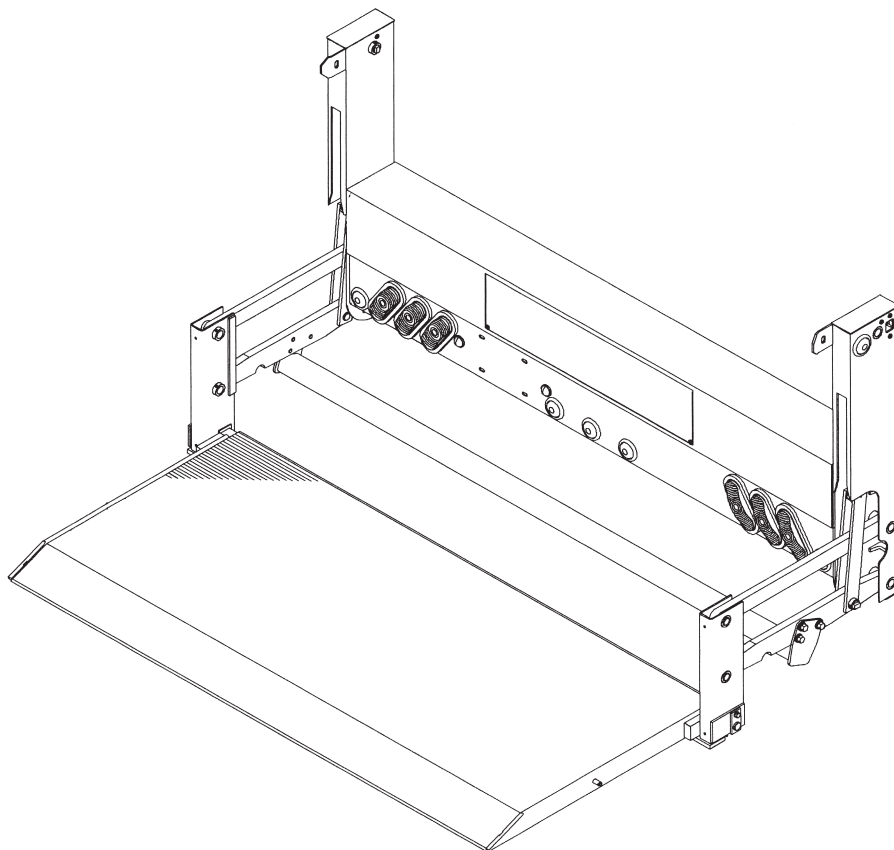
TOPLIFTER

Tailgates By THIEMAN

TT-16

OWNERS MANUAL/PARTS LIST

SHOWN WITH OPTIONAL ALUMINUM PLATFORM AND LIGHT KIT



IMPORTANT! KEEP IN VEHICLE!

PLEASE READ AND UNDERSTAND THE CONTENTS OF THIS
MANUAL BEFORE OPERATING THE EQUIPMENT.



THIEMAN
TAILGATES, INC.

600 East Wayne Street
Celina, Ohio 45822

Phone: 419-586-7727 Fax: 419-586-9724

TABLE OF CONTENTS

	PAGE
WARNINGS.....	3
OPERATING INSTRUCTIONS.....	5
MAINTENANCE GUIDE.....	5
SEMI-ANNUAL INSPECTION.....	6
INSPECTION AND LOCATION OF DECALS.....	7
ELECTRICAL PICTORIALS.....	8
PARTS ORDERING PROCEDURE.....	8
PUMP & CYLINDER ASSEMBLY.....	9
UNDERCARRIAGE & PLATFORM ASSEMBLY.....	10
LIGHT ASSEMBLY -OPTIONAL.....	12

FOR YOUR RECORDS

Model No. _____ Date Purchased _____

Serial No. _____

NOTE: When Ordering Parts Be Sure To Include This Information!

Your Thieman Tailgate is constructed of top quality material and is warranted to be free from defects in material and workmanship under normal use. With routine maintenance and proper operation this liftgate will provide long lasting service and dependability.

WARNING!

The following list of warnings are to be read before operating the TT series liftgate.

- Read this Owner's Manual and all of the decals on the liftgate BEFORE operating the liftgate.
- All protective covers and guards must be in place before operating the liftgate.
- DO NOT operate the liftgate if you do not have a thorough knowledge and understanding of the operation of the liftgate.
- NEVER OVERLOAD THE LIFTGATE. The maximum rated capacity of the TT16 series liftgate is:

TT16 - 1600lbs. Maximum Load

- Never use the liftgate if it makes any unusual noises, has vibrations, or fails to operate freely.
 - Make certain that the area below the platform is clear before and at all times during the operation of the liftgate.
 - Keep hands and feet clear of all pinch points.
 - The platform must be in the closed position with the latches engaged before transit.
 - Always load as close to the center of the platform and as close to the truck as possible. See Figure 1.
 - Never operate lift trucks on or over any part of the platform.
 - Load and unload the platform from the rear and not from the side of the platform.
 - Only operate Liftgate when vehicle is on level ground and parking brake is set.
 - Follow the maintenance guide as outlined in this manual.
 - DO NOT attempt any repairs unless you are a qualified and authorized Thieman distributor.
 - If any repairs, adjustments, or maintenance not covered in this manual are required, contact your nearest Thieman distributor or the factory.
 - DO NOT ride the liftgate, it is not intended as a personnel lift.
 - This liftgate is intended for the use of loading and unloading cargo only, and is not to be used for anything other than this.
- + DO NOT modify this liftgate. Altering this liftgate may cause serious personal injury or damage the liftgate and will void all warranties.

WATER LEVEL LOADING

When a maximum load is to be raised or lowered, this load must be centered on the load bearing platform, both front to back and side to side.

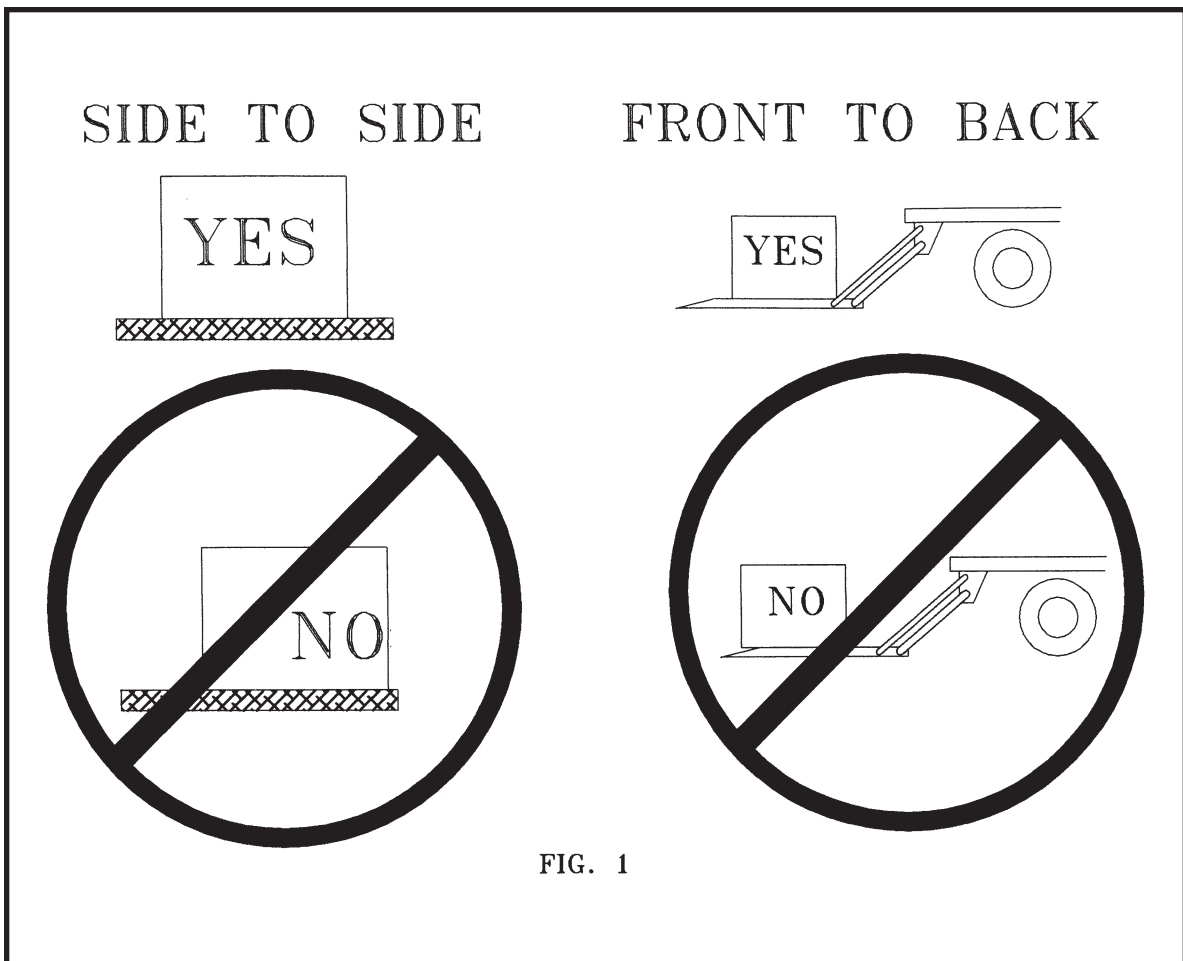


FIG. 1

OPERATING INSTRUCTIONS

CAUTION:

Be sure to operate liftgate at a safe distance and never improperly load platform as this may cause personal injury or damage to the liftgate.
ALWAYS SET PARKING BRAKE BEFORE OPERATING THIS LIFTGATE!

OPENING OF PLATFORM

- STEP 1:** Remove safety cotter pin from curb side lock pin.
- STEP 2:** Disengage lock pins with one hand while holding platform upright with the other hand. Unfold platform using both hands until it is in the horizontal position.
- STEP 3:** Push toggle switch down and lower platform to the ground.

RAISING OF PLATFORM

- STEP 4:** Push toggle switch up and raise platform to bed height.

LOWERING OF PLATFORM

- STEP 5:** Push toggle switch down and lower platform to the ground.

CLOSING

- STEP 6:** Raise platform to bed height and manually fold platform to the vertical position and be sure both lock pins are engaged. Replace cotter pin in curb side lock pin.

MAINTENANCE GUIDE

The following inspection and maintenance operations should be performed at the recommended intervals or anytime the liftgate shows signs of abuse, and improper or abnormal operation.

MONTHLY INSPECTION AND MAINTENANCE

Operate the liftgate throughout its entire operational cycle and check the following:

1. Check that there are no unusual noises or vibrations.
2. Check that the platform is level when raised to bed height.
3. Check for apparent damage to the liftgate such as bent or distorted members, any cracked welds, which may have resulted from overloading or abuse.
4. Check for any excessive wear in the following areas:
 - A. Platform Hinge Pins and Pivot Plates
 - B. All Pivot Points
 - C. All Cylinder Pins and Bolts
5. Check that all platform pivot pins are in place and retained by their proper retainers.
6. Check support cable for excessive wear and check that the locknuts on either end of the support cable are secure and pulling the cable tight between the pivot supports.
7. Check that all protective covers and guards are properly in place and secured.
8. Check for oil leaks in these areas:
 - A. Lift Cylinder
 - B. Hydraulic Hose- Replace if it shows signs of wear or cracking.
 - C. Hydraulic Fittings – Tighten or replace as may be required to stop leakage.
9. Check the oil level in the hydraulic reservoir. Release the safety latches and lower the platform to the ground. The oil should be within 1/2 inch from the top of the reservoir. See chart on next page.

HYDRAULIC FLUID CHART	
Temperature Range	Acceptable Fluids
-75 to 165°F	Exxon Unavis J-26
-20 to 130°F	Dexron III Exxon Superflo ATF Shell Donax® TG
-50 to 80°F	Shell Aero Fluid 4 Mobil Aero HFA Exxon Unavis J-13 MIL H-5606

10. Check that all wiring and battery cable connections are tight and free of corrosion.

11. Lubrication of the TT series gate should be as follows:

Area of Tailgate	Type of Lubrication	Frequency
Extension Pivot	SAE 10 to SAE 20 oil	50 cycles
Pump Oil Change	See Above Chart	Yearly

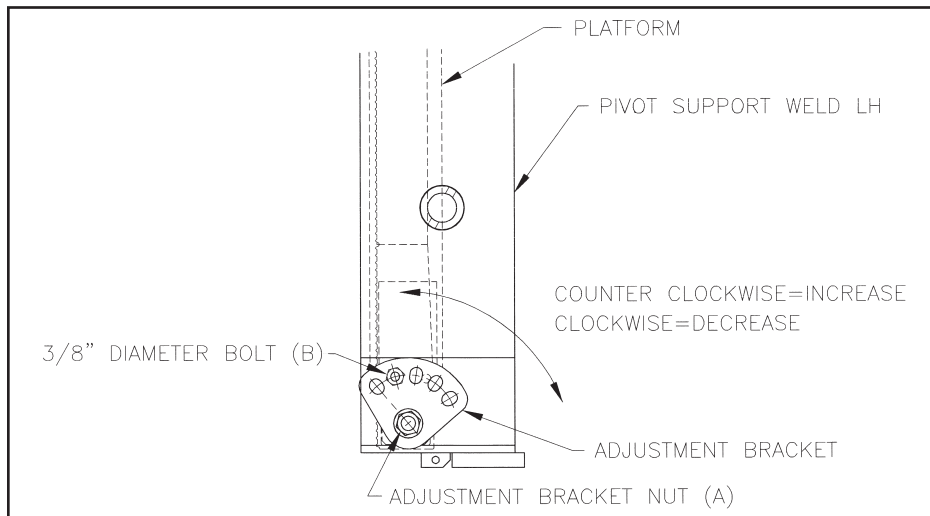
*The pivot points on the TT-16 have special bushings that do not require lubrication.

12. Check the pump relief pressure and also the motor amperage at this pressure. These values should be as follows:

Model	Max Amp Draw	Relief Pressure (psi)
TT16	160	2300

13. Torsion Bar Adjustment:

- A. Place platform in the stowed (vertical) position.
- B. Turn the adjustment bracket nut (A) clockwise to relieve tension on 3/8" diameter bolt (B) and remove it from the bracket.
- C. To increase tension, rotate the bracket counterclockwise until desired tension is reached. Line up the hole in the bracket to a hole in the pivot support and replace bolt (B).



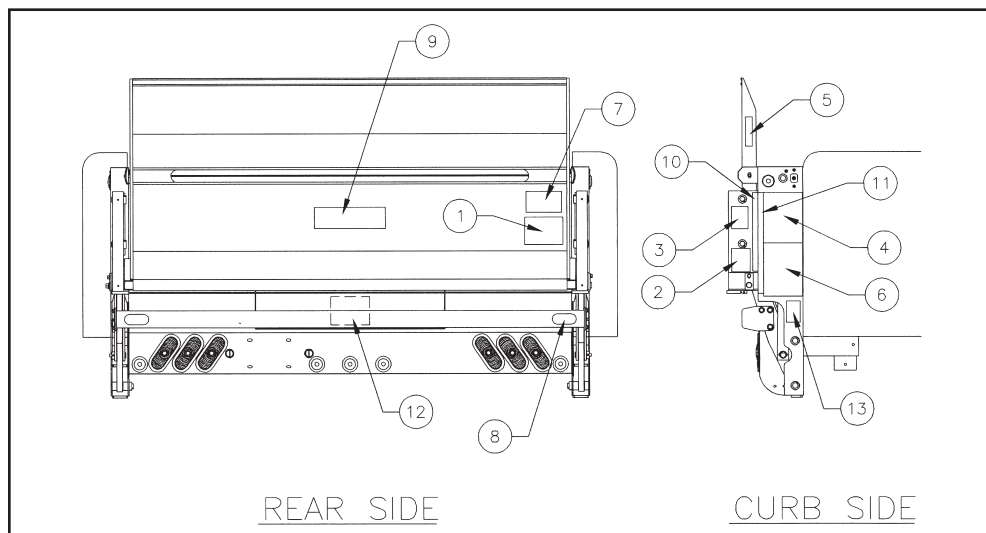
SEMI-ANNUAL INSPECTION

1. Perform the procedures outlined in the “Monthly Inspection and Maintenance.”
2. Inspect pump motor by:
 - A. Disconnecting battery cable
 - B. Remove motor end cover
 - C. Examine the armature brushes for wear. (Brushes should be replaced if they are less than 1/8” long.)
 - D. Clean all residue out from inside of the motor housing.
 - E. Apply several drops of light weight machine oil to the armature shaft bearing in the motor cover end and reassemble the motor end cover.
3. If the hydraulic oil in the reservoir is dirty:
 - A. Lower the platform completely to the ground.
 - B. Drain the oil from the hydraulic system and flush the entire system.
 - C. Remove reservoir from pump and clean suction line filter. Also, clean out any contaminants from reservoir. Remount reservoir when completed.
 - D. Replace the oil as outlined in Section 8 under Monthly Maintenance and Inspection.

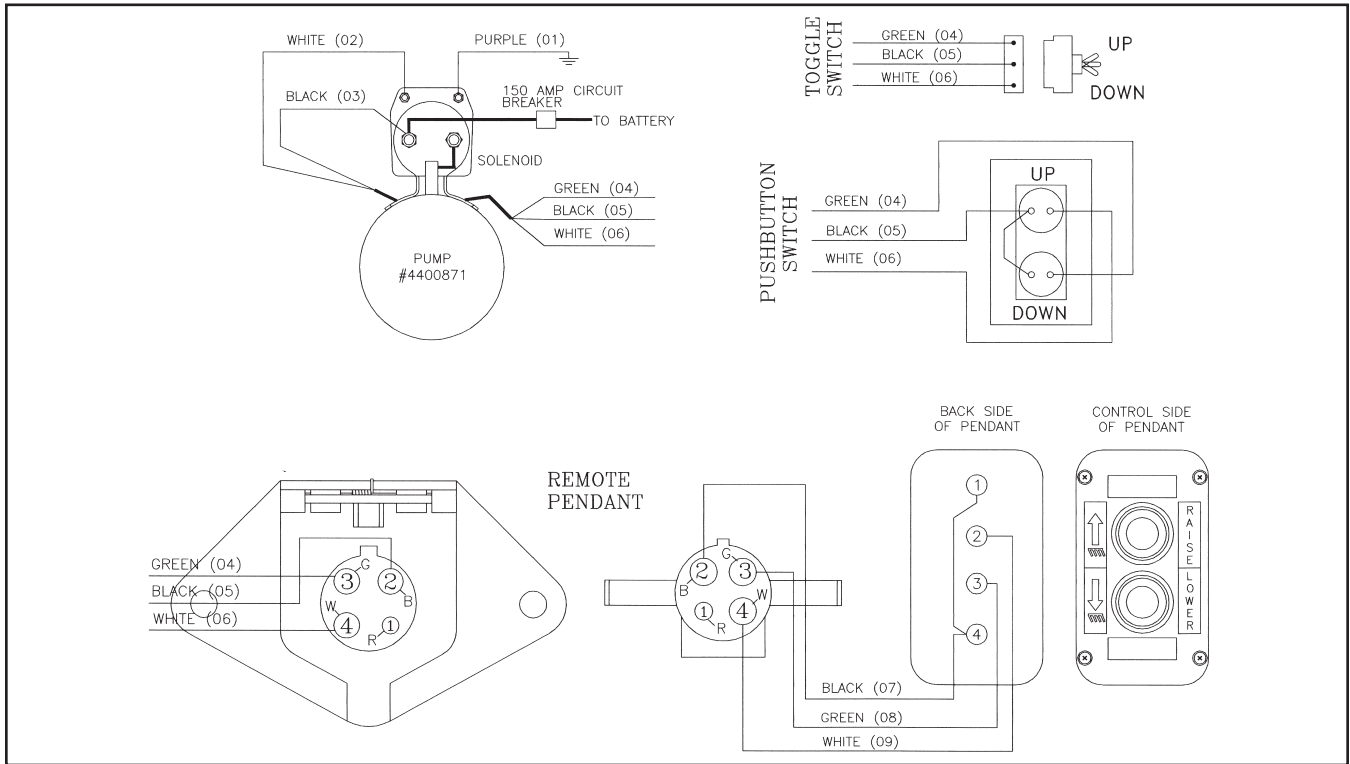
INSPECTION AND LOCATION OF DECALS

Inspect all of the decals listed below to be certain that they are in the proper location and they are legible. All decals must be in place and legible or all warranties are void!

Item	Part Name	Part Number
1	Warning Decal-off center	4671050
2	PTO Decal	4650140
2	Fast Idle Decal	4650150
3	Danger Decal-No Riding	4609
4	Operating Decal	4650870
5	Capacity Decal-1600#	4650750
6	Warning Decal	4650530
7	Caution Decal-Working Area	4650770
8	Reflector (2)	5705
9	Thieman Nameplate	4650801
10	Hazard Marking Tape-Pivot	5760-002
11	Hazard Marking Tape-Frame	5760-003
12	Wiring Decal	4659
13	Warning Decal-High Pressure	4620



ELECTRICAL PICTORIAL



PARTS ORDERING PROCEDURE

When ordering parts, please include all the information asked for below. If this information is not available, a complete written description or sketch of the required part will help Thieman identify and deliver the needed part to you.

THE FOLLOWING INFORMATION MUST BE INCLUDED:

1. Serial Number – Thieman liftgate serial numbers can be found on the tag located on the outside of the curb side post near the bottom.
2. Model Number and Capacity.
3. Platform size and Material – Steel or Aluminum.
4. Part number.
5. Description.
6. Quantity required.

**MAIL OR PHONE YOUR REQUEST TO:
 THIEMAN TAILGATES, INC.
 600 E. WAYNE ST.
 CELINA, OH 45822
 PHONE: 419-586-7727
 FAX: 419-586-9724**

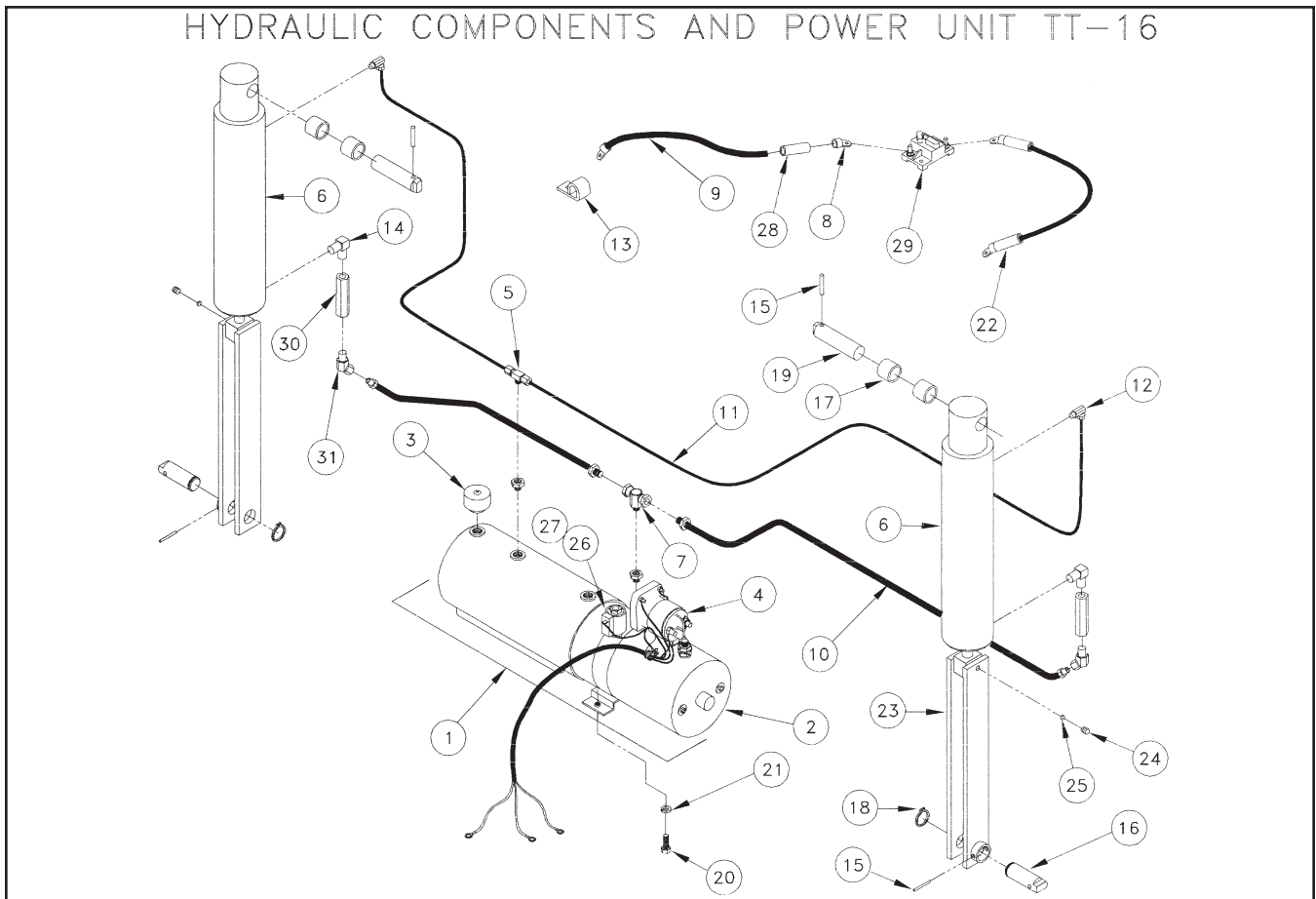
IMPORTANT

IT IS IMPORTANT THAT EVERY VEHICLE THAT HAS A THIEMAN LIFTGATE HAVE LEGIBLE WARNING AND OPERATION DECALS CLEARLY POSTED ON THE VEHICLE AND AN OWNER'S MANUAL IN THE VEHICLE AT ALL TIMES AS A GUIDE FOR PROPER OPERATION AND MAINTENANCE.

ADDITIONAL WARNING DECALS, OPERATION DECALS AND OWNER'S MANUALS CAN BE OBTAINED FROM THIEMAN TAILGATES, INC.

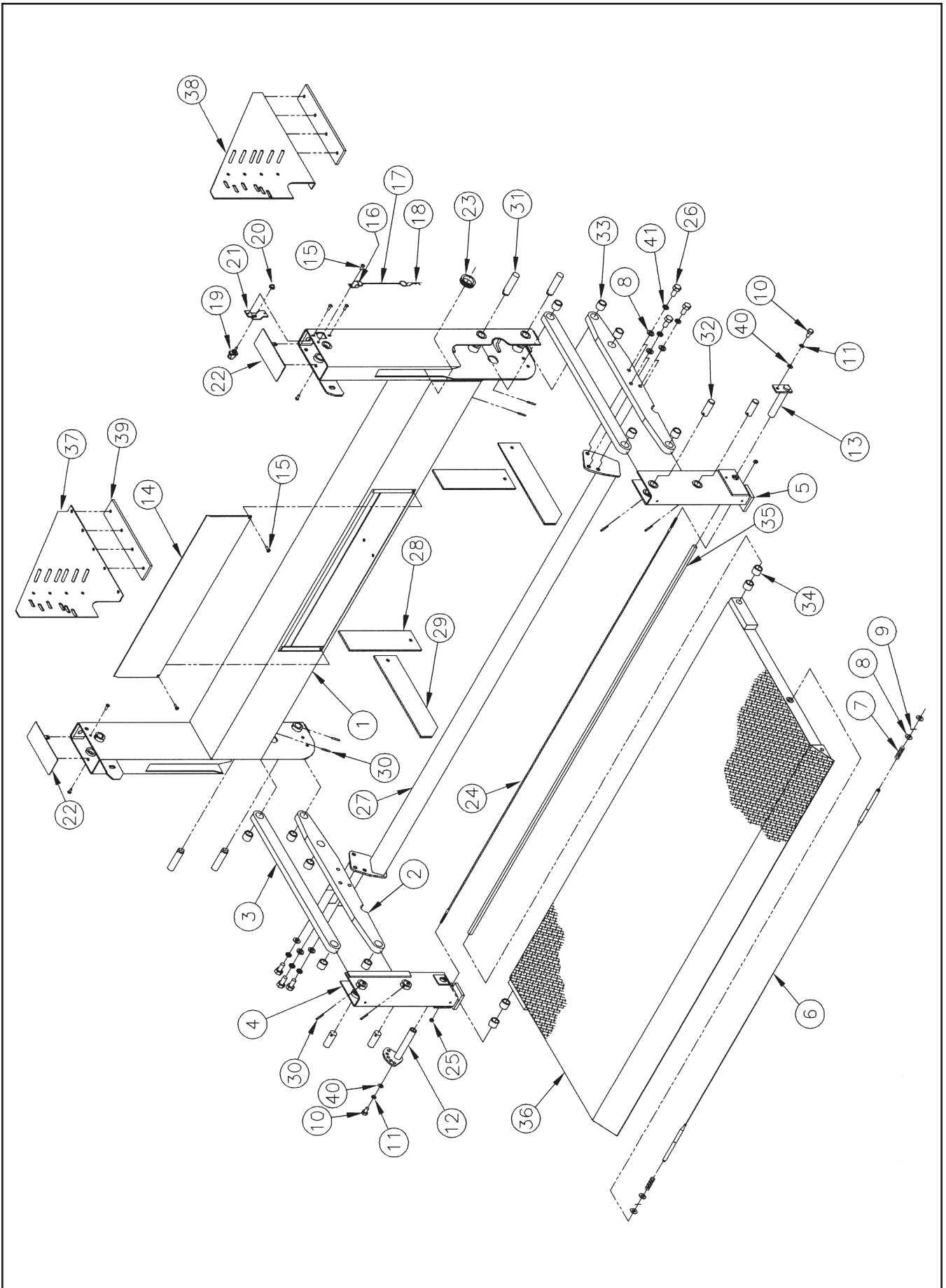
PUMP & CYLINDER ASSEMBLY

Item	Part Number	Description	Platform Width	
			80" Wide	86" Wide
1	4400871	Pump Asm-Items 2-5	1	1
2	4423520	Motor 8111	1	1
3	4420409	Breather	1	1
4	4447	Solenoid	1	1
5	4900250	Tube Tee	1	1
6	31312	Cylinder Asm	2	2
7	4900080	Swivel Tee	1	1
8	4350	Battery Lug	1	1
9	4301240	Battery Cable #2 x 33'	1	1
10	4965020	Hose 51.00	2	
10	4960001	Hose 60.00		2
11	4952014	Tube 68.00	2	
11	4952015	Tube 72.00		2
12	4900240	Tube Elbow	2	2
13	5701260	Cable Retainer	16	16
14	4900450	Elbow	2	2
15	5702371	Spring Pin	4	4
16	5061	Pin	2	2
17	5504-001	Bushing	4	4
18	5781008	Retaining Ring	2	2
19	5059	Pin	2	2
20	8180122	Screw .38 x 1	2	2
21	8106-010	Internal Tooth Lockwasher .38	2	2
22	4318-001	Battery Cable #2 x 2'	1	1
23	31297	Clevis Weld	2	2
24	8108-005	Screw .38 x .75	2	2
25	4220240	Nylon Insert	2	2
26	4445	Valve Asm	1	1
27	4452	Valve Coil	1	1
28	4319-002	Heat Shrink	1	1
29	4301770	Circuit Breaker	1	1
30	4906-004	Flow Control .75 GPM	2	2
31	4903	Swivel Elbow 45°	2	2



UNDERCARRIAGE & PLATFORM ASSEMBLY

Item	Part Number	Description	Platform Width	
			80" Wide	86" Wide
1	31295-001	Frame Weld w/Lights	1	
1	31295-003	Frame Weld w/Lights		1
1	31295-002	Frame Weld w/out Lights	1	
1	31295-004	Frame Weld w/out Lights		1
2	31355	Lift Arm Asm	2	2
3	31291	Idler Arm Asm	2	2
4	31301-001	Pivot Support Weld LH	1	1
5	31300-001	Pivot Support Weld RH	1	1
6	31357-004	Cable Asm	1	
6	31357-005	Cable Asm		1
7	5101160	Spring	2	2
8	8120396	Flatwasher .50	10	10
9	8121222	Cotter Pin	2	2
10	8180120	Screw .38 x .75	2	2
11	8120382	Lockwasher .38	2	2
12	31003	Adjustment Bracket	1	1
13	31283	Pin Weld	1	1
14	27090	Power Unit Cover	1	1
15	8449646	Screw .25 x .62	8	8
16	5702230	Cable Retainer	1	1
17	3801008	Latch Cable	1	1
18	5700022	Hairpin	1	1
19	4301550	Toggle Switch	1	1
20	4301750	Toggle Seal	1	1
21	27086	Switch Bracket	1	1
22	31298	Post Cover	2	2
23	5701200	Grommet	2	2
24	3801-004	Support Cable	1	
24	3801-005	Support Cable		1
25	8103-022	Locknut .25	2	2
26	8100-014	Screw .50 x 1.50 Gr. 8	6	6
27	31354-004	Brace Weld	1	
27	31354-005	Brace Weld		1
28	23049-002	Frame Plate	2	2
29	23049-003	Frame Plate	2	2
30	5702371	Spring Pin	8	8
31	5059	Pin	4	4
32	5060	Pin	4	4
33	5504-001	Bushing-LA & IA	10	10
34	5504-001	Bushing-Steel Platform	4	4
34	5504-012	Bushing- Aluminum Platform	4	4
35	5101-012	Torsion Bar-Steel Platform	1	
35	5101-013	Torsion Bar-Steel Platform		1
35	5107-001	Torsion Bar- Aluminum Platform	1	
35	5107-002	Torsion Bar- Aluminum Platform		1
36	3426-001	Platform-Steel Expanded Metal	1	
36	3426-002	Platform-Steel Expanded Metal		1
36	3427-001	Platform-Steel Deckplate	1	
36	3427-002	Platform-Steel Deckplate		1
36	3431-001	Platform-Extruded Aluminum	1	
36	3431-002	Platform-Extruded Aluminum		1
37	27091-001	Post Support-LH	1	1
38	27091-002	Post Support-RH	1	1
39	23048	Backer Plate	2	2
40	8120388	Flatwasher .38	8	8
41	8120384	Lockwasher .50	6	6



LIGHT ASSEMBLY-OPTIONAL

Item	Part Number	Description	Platform Width	
			80" Wide	86" Wide
1	27125-003	Light Plate	1	
1	27125-004	Light Plate		1
2	4395	Wiring Harness	1	1
3	4300550	License Plate Light	2	2
4	4329	Clearance Light	7	7
5	4330	Grommet	7	7
6	4301401	Stop/Tail Lamp	2	2
7	4301400	Back-up Lamp	2	2
8	4301370	Grommet	6	6
9	4301402	Turn Lamp	2	2

