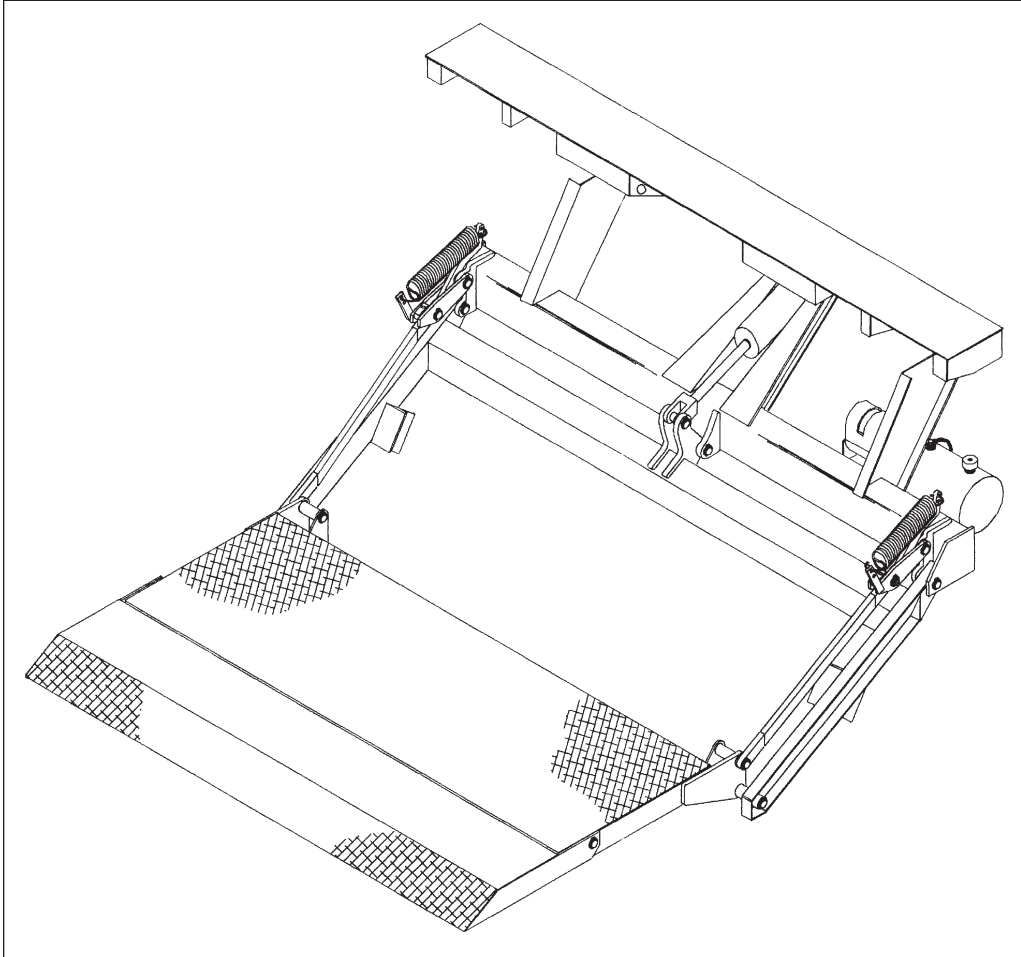


STOWAWAY

Tailgates By THIEMAN

FOR MODELS LST20, 25, 30 OWNERS MANUAL/PARTS LIST



IMPORTANT! KEEP IN VEHICLE!

READ AND UNDERSTAND THE CONTENTS OF THIS
MANUAL BEFORE OPERATING THE EQUIPMENT.



THIEMAN
TAILGATES, INC.

600 East Wayne Street
Celina, Ohio 45822

Phone: (419) 586-7727 Fax: (419) 586-9724

TABLE OF CONTENTS

	PAGE
WARNINGS	3
OPERATING INSTRUCTIONS	5
MAINTENANCE GUIDE	6
SEMI-ANNUAL INSPECTION.....	7
INSPECTION AND LOCATION OF DECALS	7
ELECTRICAL PICTORIALS.....	8
PARTS ORDERING PROCEDURE	9
PLATFORM AND SPACER.....	10
ELECTRIC CONTROL GRAVITY DOWN POWER UNIT	11
ELECTRIC CONTROL POWER DOWN POWER UNIT	12
PTO PUMP	13
MANUAL CONTROL GRAVITY DOWN POWER UNIT	14
MANUAL CONTROL POWER DOWN POWER UNIT	15
TRUNNION AND LIFT ARM ASSEMBLY.....	16

FOR YOUR RECORDS

Model No. _____ **Date Purchased** _____

Serial No. _____

NOTE: When Ordering Parts Be Sure To Include This Information!

Your Thieman Tailgate is constructed of top quality material and is warranted to be free from defects in material and workmanship under normal use. With routine maintenance and proper operation this liftgate will provide long lasting service and dependability.

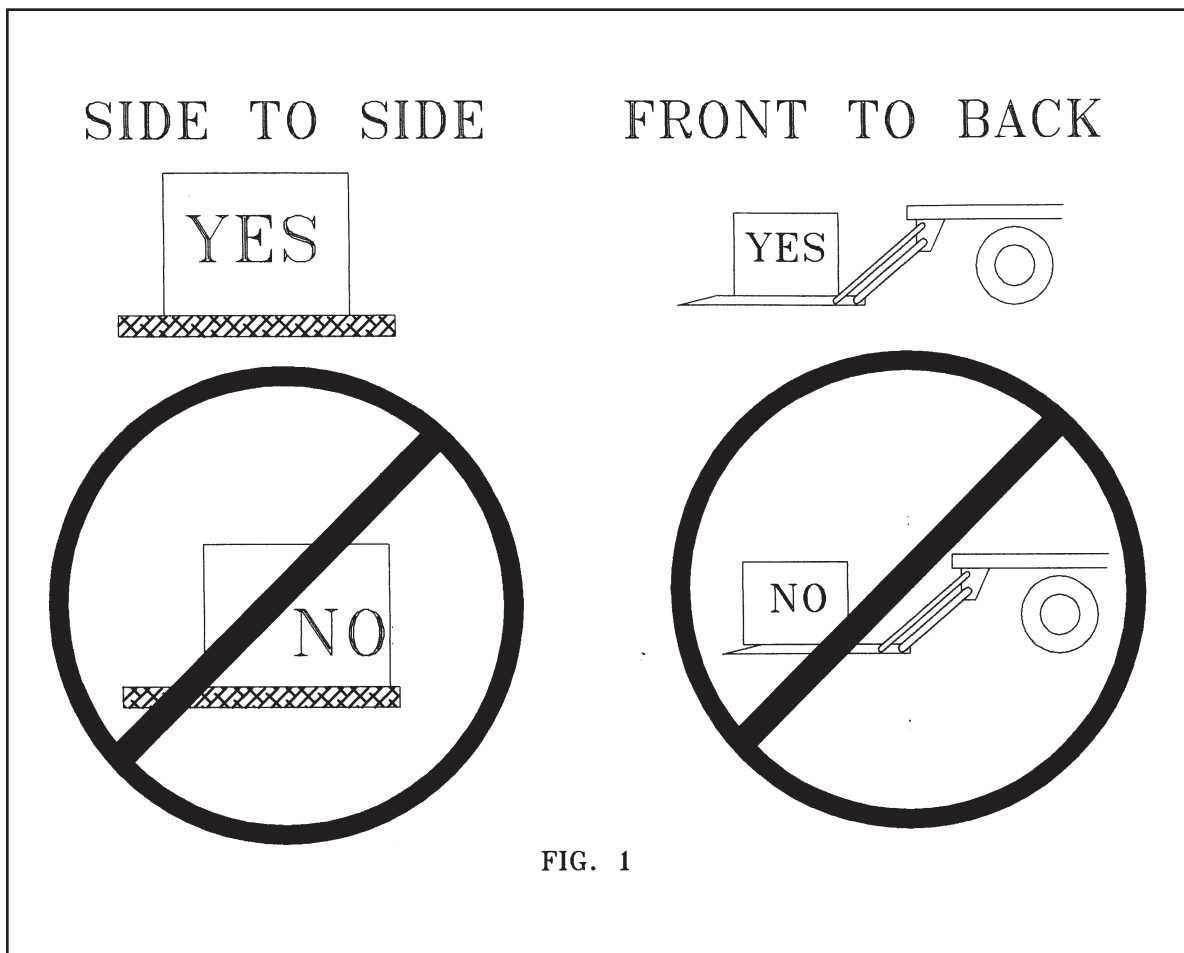
WARNING!

The following list of warnings are to be read before operating the LST series liftgate.

- + Read this Owner's Manual and all of the decals on the liftgate BEFORE operating the liftgate.
- + All protective covers and guards must be in place before operating the liftgate.
- + DO NOT operate the liftgate if you do not have a thorough knowledge and understanding of the operation of the liftgate.
- + NEVER OVERLOAD THE LIFTGATE. The maximum rated capacity of the LST series liftgate differs with each model as follows:
 - LST 20 - 2000lbs. Maximum Load
 - LST 25 - 2500lbs. Maximum Load
 - LST 30 - 3000lbs. Maximum Load
- + Never use the liftgate if it makes any unusual noises, has vibrations, or fails to operate freely.
- + Make certain that the area below the platform is clear before and at all times during the operation of the liftgate.
- + Keep hands and feet clear of all pinch points.
- + The platform must be in the closed position with the latches engaged before transit.
- + Always load as close to the center of the platform and as close to the spacer as possible. See Figure 1.
- + Never operate lift trucks on or over any part of the platform.
- + Load and unload the platform from the rear and not from the side of the platform.
- + Only operate Liftgate when vehicle is on level ground and parking brake is set.
- + Follow the maintenance guide as outlined in this manual.
- + DO NOT attempt any repairs unless you are a qualified and authorized THIEMAN distributor.
- + If any repairs, adjustments, or maintenance not covered in this manual are required, contact your nearest Thieman distributor or the factory.
- + DO NOT ride the liftgate, it is not intended as a personnel lift.
- + This liftgate is intended for the use of loading and unloading cargo only, and is not to be used for anything other than this.
- + DO NOT modify this liftgate. Altering this liftgate may cause serious injury or damage the liftgate and will void all warranties.

WATER LEVEL LOADING

When a maximum load is to be raised or lowered, this load must be centered on the load bearing platform, both front to back and side to side.



OPERATING INSTRUCTIONS

CAUTION:

Be sure to operate liftgate at a safe distance and never improperly load platform as this may cause personal injury or damage to the liftgate.

OPENING OF PLATFORM

STEP 1: Raise platform by moving handle to position 1 to allow pins to disengage from latches.

STEP 2: Move handle to position 2 and lower until arms contact ground.

STEP 3: Grasp platform, and rotate outward to horizontal position.

RAISING OF PLATFORM

STEP 4: Move handle to position 1.

LOWERING OF PLATFORM

STEP 5: Repeat steps 1 and 2.

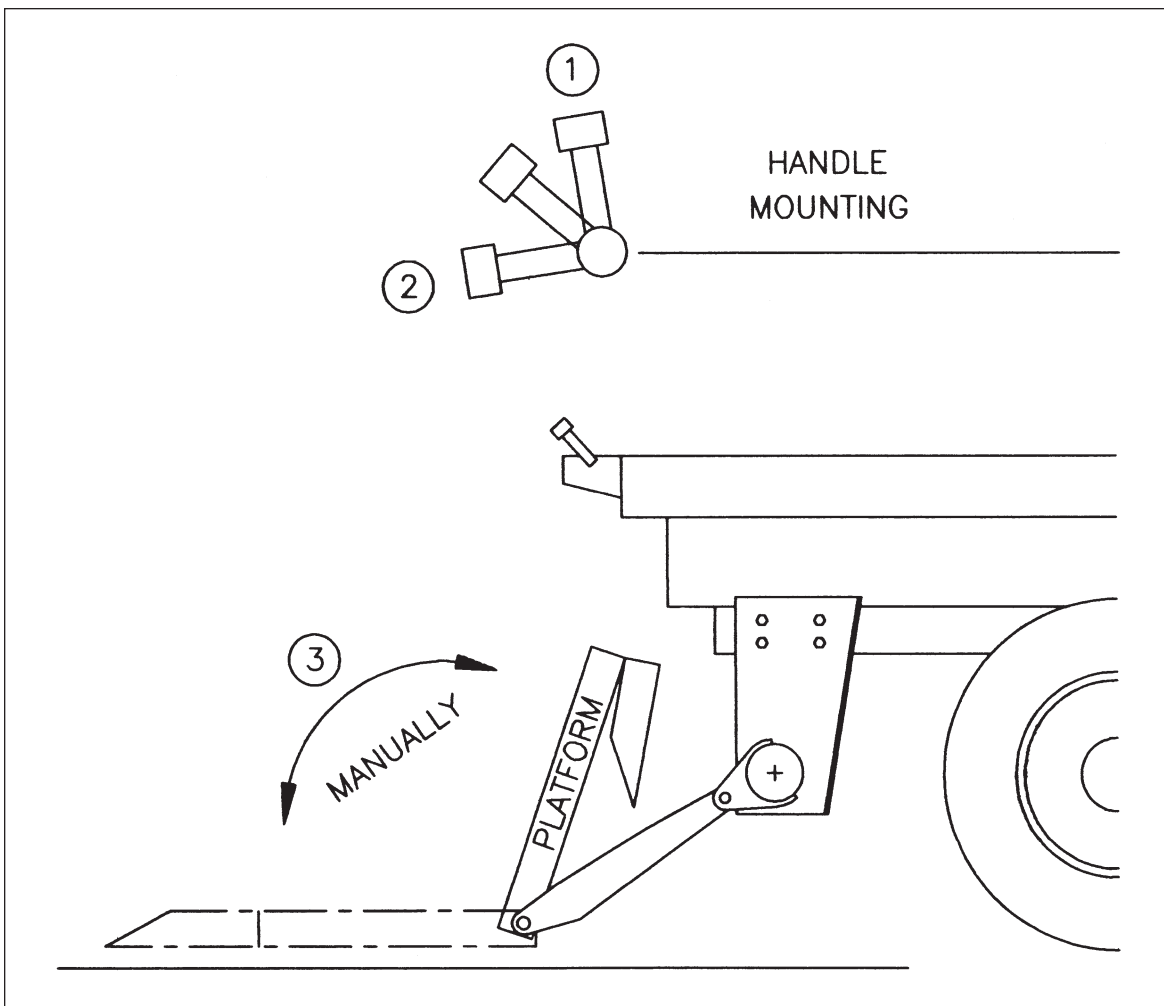
CLOSING

STEP 6: Move handle to position 2 and lower until arms contact ground.

STEP 7: Manually raise platform to vertical position when arms are on ground.

STEP 8: Move handle to position 1 until latches engage pins.

WARNING: HANDLE SHOULD ALWAYS BE IN NEUTRAL POSITION WHEN GATE IS NOT IN USE.



MAINTENANCE

The following inspection and maintenance operations should be performed at the recommended intervals or anytime the liftgate shows signs of abuse, and improper or abnormal operation.

MONTHLY INSPECTION AND MAINTENANCE

Operate the liftgate throughout its entire operational cycle and check the following:

1. Check that there are no unusual noises or vibrations.
2. Check that the platform is level when raised to bed height. If adjustments are necessary, this can be done by adjusting the idler arm bolt.
3. Check for apparent damage to the liftgate such as bent or distorted members, any cracked welds, which may have resulted from overloading or abuse.
4. Check for any excessive wear in the following areas:
 - A. Platform Hinge Pins and Pivot Plates
 - B. All Pivot Points
 - C. All Cylinder Pins and Bolts
5. Check that all platform pivot pins are in place and retained by their proper retainers.
6. Check that all protective covers and guards are properly in place and secured.
7. Check for oil leaks in these areas:
 - A. Lift Cylinder
 - B. Hydraulic Hose- Replace if it shows signs of wear or cracking.
 - C. Hydraulic Fittings- Tighten or replace as may be required to stop leakage.
8. Check the oil level in the hydraulic reservoir. With the platform open and at ground level, the oil should be within 1/2 inch from the top of the reservoir. See chart below.

HYDRAULIC FLUID CHART	
Temperature Range	Acceptable Fluids
-75 to 165°F	Exxon Unavis J-26
-20 to 130°F	Dexron III Exxon Superflo ATF Shell Donax TG
-50 to 80°F	Shell Aero Fluid 4 Mobil Aero HFA Exxon Unavis J-13 MIL H-5606

9. Check that all wiring and battery cable connections are tight and free of corrosion.
10. Lubrication of the LST series gate should be as follows for all user conditions:

<u>Area of Tailgate</u>	<u>Type of Lubrication*</u>	<u>Frequency</u>
Platform Pivots	Grease	50 cycles
Extension Pivot	SAE 10 to SAE 20 oil	50 cycles
Pump Oil Change	See above chart	yearly

*See the parts list for location of the grease zerks.
 For -40 to 120 F use #0 Grade grease.
 For -20 to 200 F use #1 Grade grease.

11. Check the pump relief pressure and also the motor amperage at this pressure. These values should be as follows:

Model	Max Amp Draw	Relief Pressure (psi)
LST20	205	2650
LST25	185	2250
LST30	205	2650

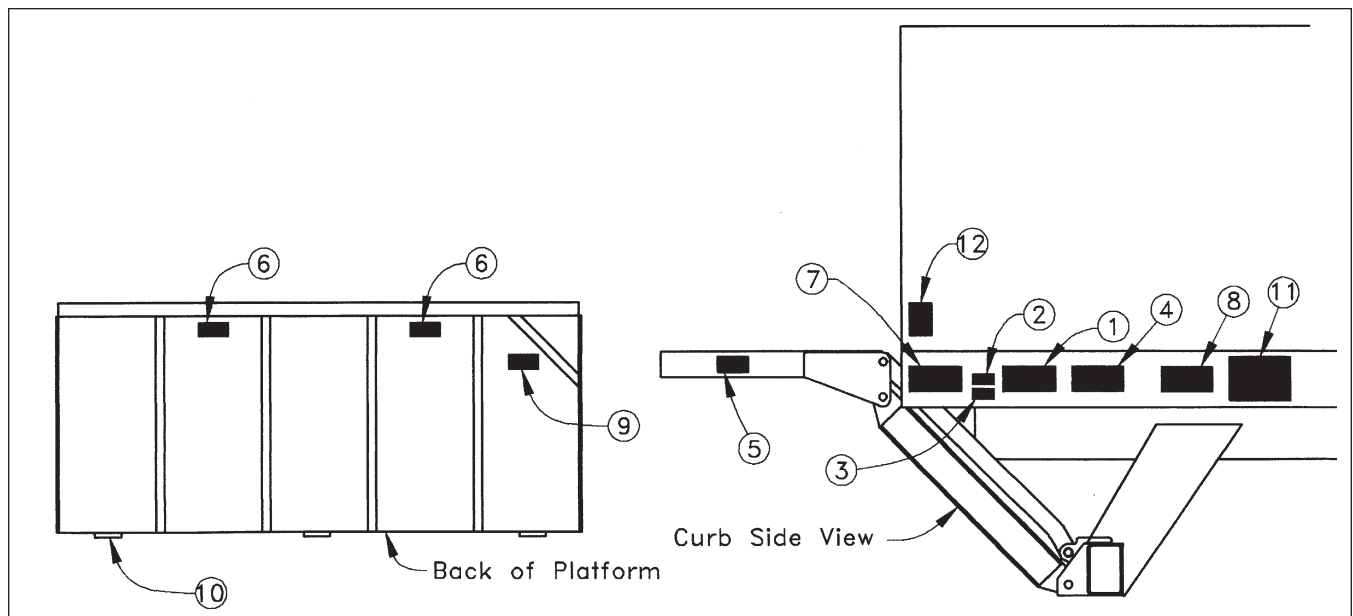
Semi-Annual Inspection

1. Perform the procedures outlined in the "Monthly Inspection and Maintenance."
2. Inspect pump motor by:
 - A. Disconnecting battery cable
 - B. Remove motor end cover
 - C. Examine the armature brushes for wear. (Brushes should be replaced if they are less than 1/8" long.)
 - D. Clean all residue out from inside of the motor housing.
 - E. Apply several drops of light weight machine oil to the armature shaft bearing in the motor cover end and reassemble the motor end cover.
3. If the hydraulic oil in the reservoir is dirty:
 - A. Raise platform completely until pins engage into latches.
 - B. Drain the oil from the hydraulic system and flush the entire system.
 - C. Remove reservoir from pump and clean suction line filter. Also, clean out any contaminants from reservoir. Remount reservoir when completed.
 - D. Replace the oil as outlined in Section 8 under Monthly Maintenance and Inspection.

INSPECTION AND LOCATION OF DECALS

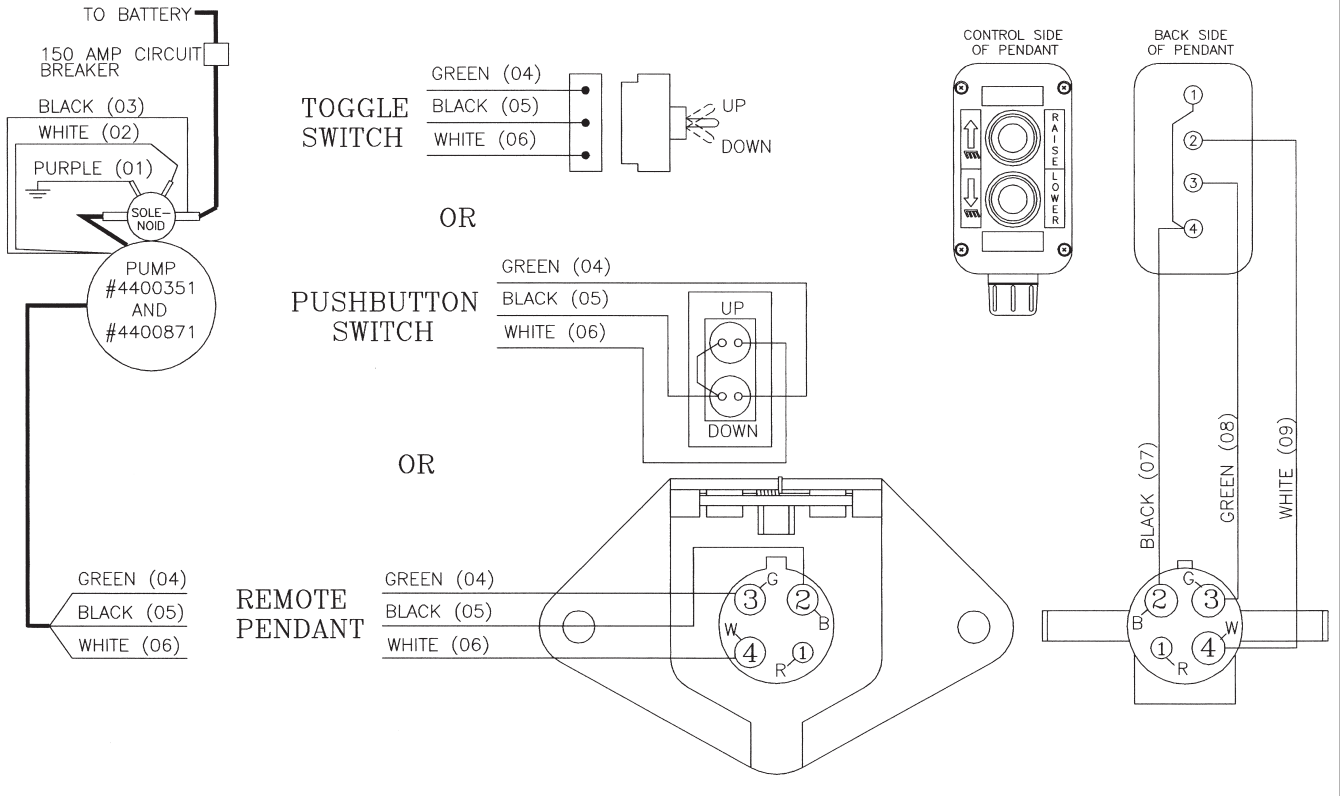
Inspect all of the decals listed below to be certain that they are in the proper location and they are legible. All decals must be in place and legible or all warranties are void!

Item	Part Name	Part Number
1	Warning Decal-off center	4671050
2	PTO Decal	4650140
2	Fast Idle Decal	4650150
3	Danger Decal-no riding	4609
4	Operating Decal	4650030
4	Operating Decal-Toggle	4603
5	Capacity Decal-2000#	4650100
5	Capacity Decal-2500#	4650110
5	Capacity Decal-3000#	4650120
6	Warning Decal-pinch point	4604
7	Warning Decal	4650530
8	Caution Decal-working area	4650770
9	Handle Decal	4605
10	Reflector(3)	5705
11	Wiring Decal - Gravity Down	4612
11	Wiring Decal - Power Down	4614
12	Warning Decal	4620

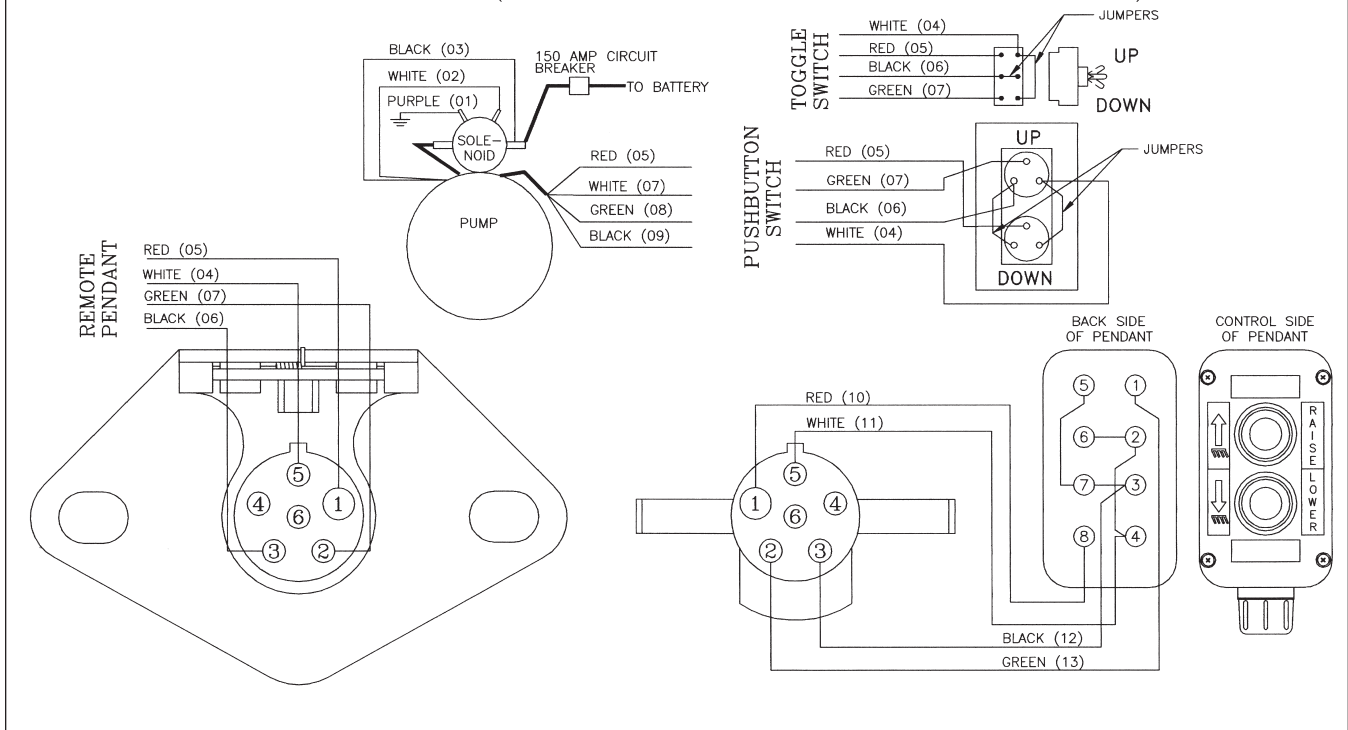


ELECTRICAL PICTORIALS

ELECTRIC CONTROL GRAVITY DOWN



POWER DOWN ELECTRIC CONTROL (TOGGLE, PUSHBUTTON, OR REMOTE PENDANT)



PARTS ORDERING PROCEDURE

When ordering parts, please include all the information asked for below. If this information is not available, a complete written description or sketch of the required part will help Thieman identify and deliver the needed part to you.

THE FOLLOWING INFORMATION MUST BE INCLUDED:

1. Serial Number - Thieman liftgate serial numbers can be found on the tag located on the curb side of the trunnion tube on the end cap.
2. Model Number and Capacity.
3. Platform size and Material - Steel or Aluminum.
4. Part number.
5. Description.
6. Quantity required.

MAIL OR PHONE YOUR REQUEST TO:

**THIEMAN TAILGATES, INC.
600 E. WAYNE ST.
CELINA, OH 45822**

**PHONE: (419) 586-7727
FAX: (419) 586-9724**

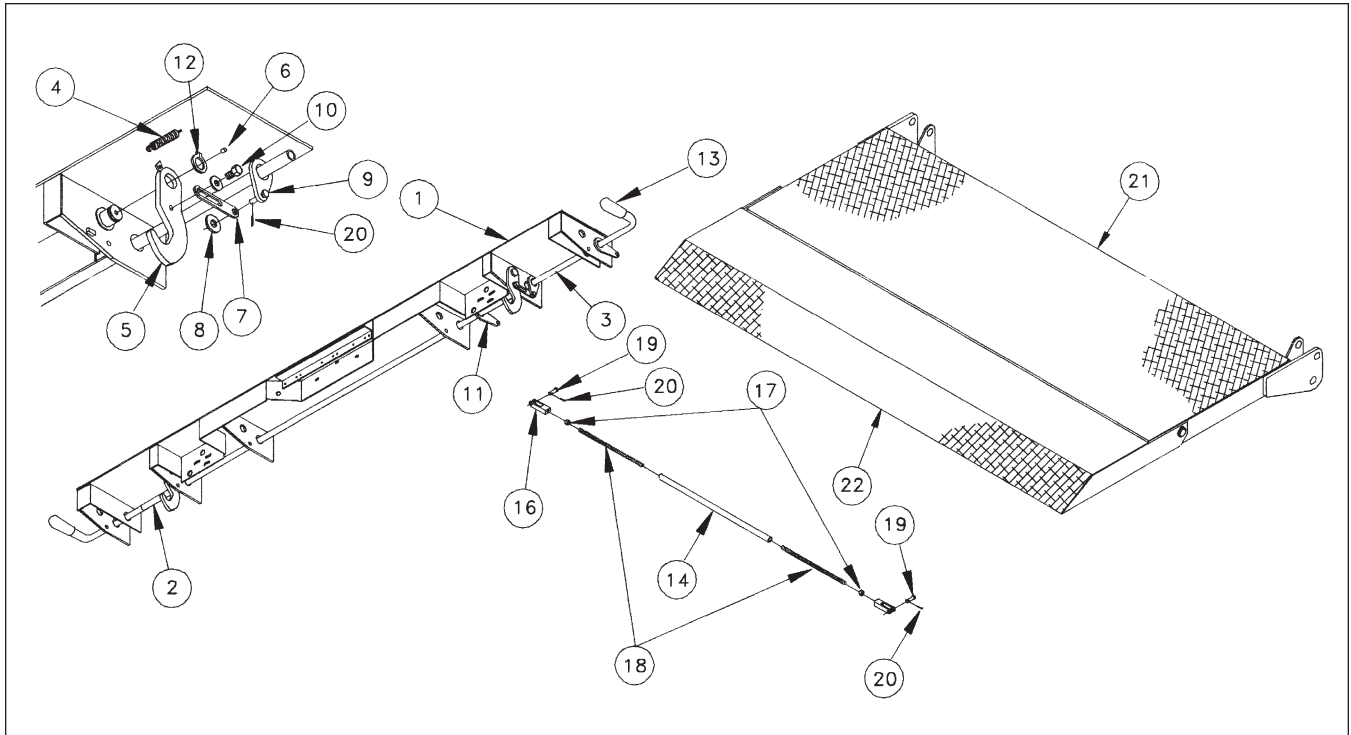
IMPORTANT

IT IS IMPORTANT THAT EVERY VEHICLE THAT HAS A THIEMAN LIFTGATE HAVE LEGIBLE WARNING AND OPERATION DECALS CLEARLY POSTED ON THE VEHICLE AND AN OWNER'S MANUAL IN THE VEHICLE AT ALL TIMES AS A GUIDE FOR PROPER OPERATION AND MAINTENANCE.

ADDITIONAL WARNING DECALS, OPERATION DECALS AND OWNER'S MANUALS CAN BE OBTAINED FROM THIEMAN TAILGATES, INC.

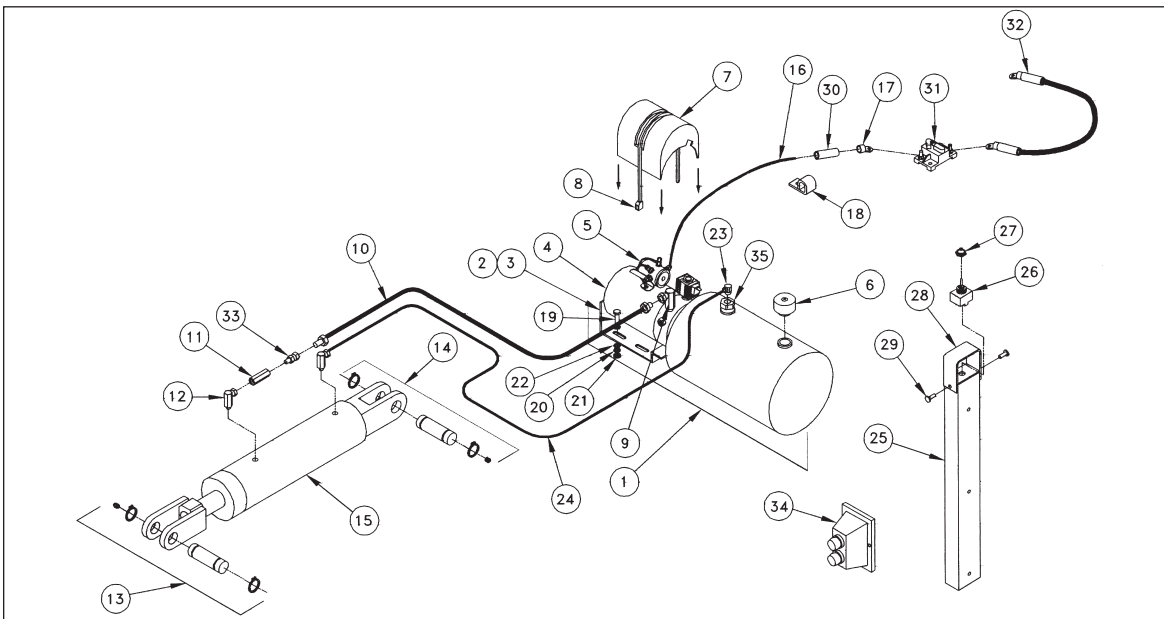
PLATFORMS AND SPACER

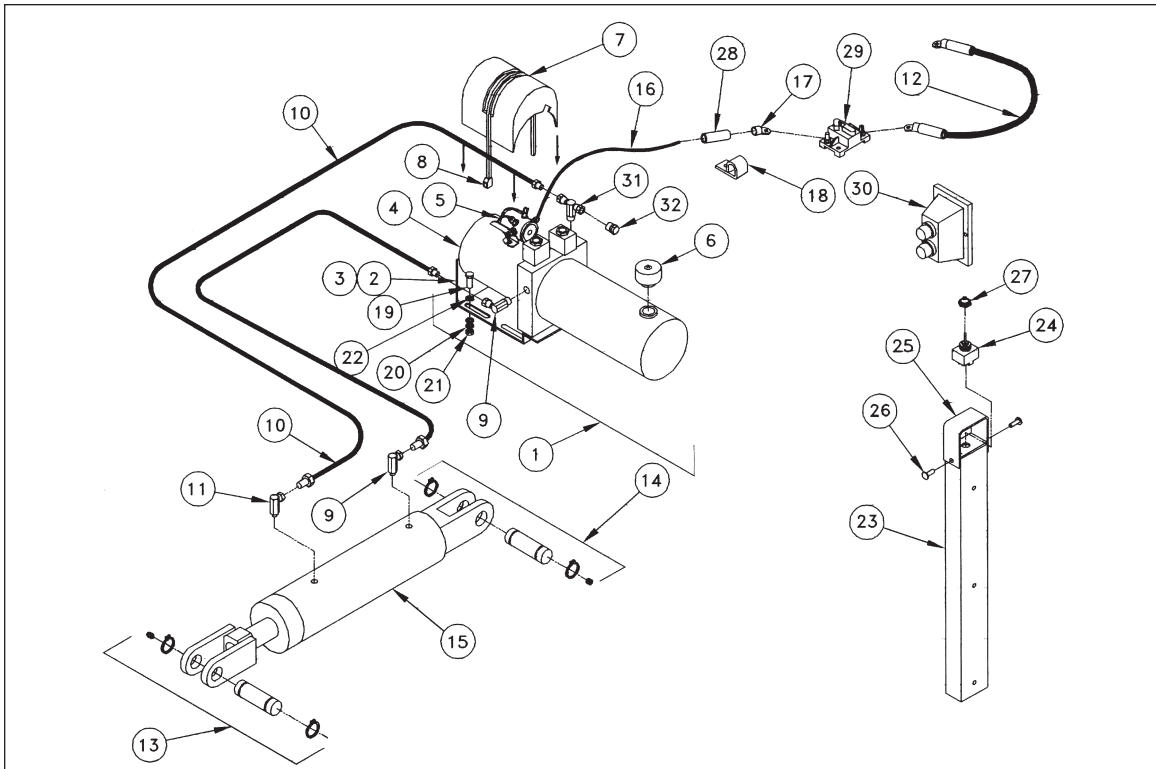
Item	Part Number	Description	Model & Qty.		
			20	25	30
1	3500120	Spacer asm	1	1	1
2	3017031	Control shaft-Female	1	1	1
3	3017023	Control shaft-male	1	1	1
4	5101100	Spring	2	2	2
5	3104920	Latch	2	2	2
6	8271291	Zerk	2	2	2
7	2901040	Release strap	2	2	2
8	8120388	Washer	4	4	4
9	3103440	Latch lever	2	2	2
10	5793003	.38-16 screw w/nylox	2	2	2
11	2901170	Lever	2	2	2
12	5781008	Retaining ring	2	2	2
13	5701043	Handle grip	2	2	2
14	2402000	Pipe	1	1	1
15	3107030	Clevis rod asm	1	1	1
16	8144243	Clevis	2	2	2
17	8124925	.38-24 jam nut	2	2	2
18	5002210	Linkage rod	2	2	2
19	8138078	Clevis pin-.38	2	2	2
20	8137185	Cotter pin	3	3	3
21	3400810	Platform 7236	1	1	
21	3400820	Platform 7236			1
22	3105130	Extension	1	1	1



ELECTRIC CONTROL GRAVITY DOWN POWER UNIT

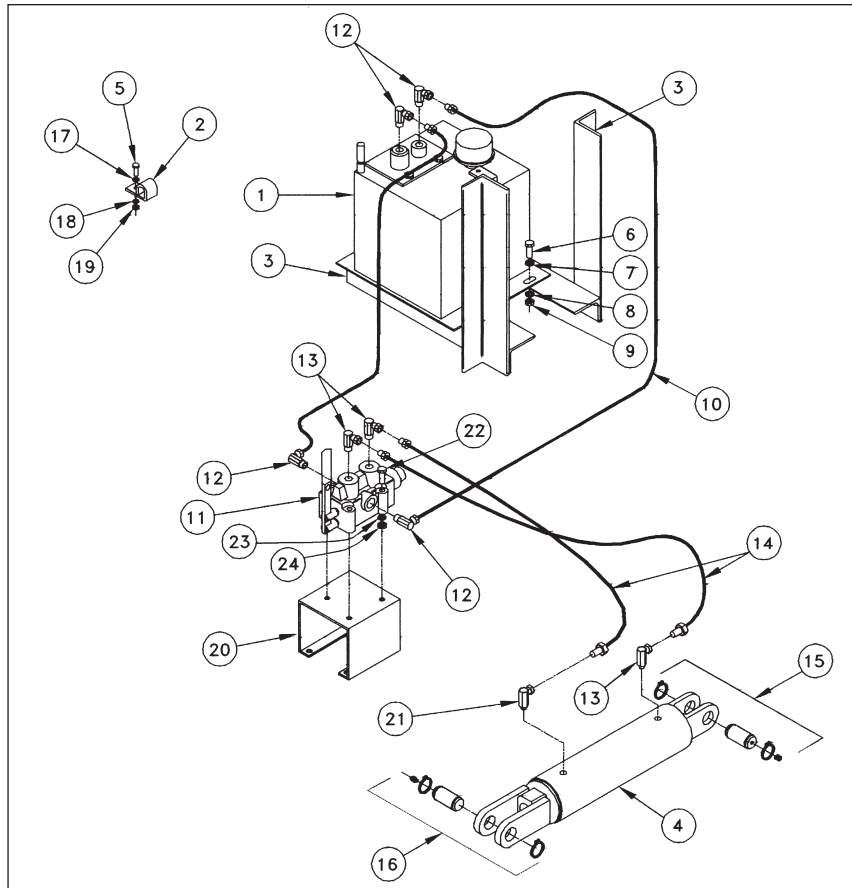
Item	Part Number	Description	Qty/Model		
			20	25	30
1	4400351	Power Unit-incl 2 to 6	1	1	1
2	4421420	Pump Bracket	1	1	1
3	4421350	Mounting Bracket	1	1	1
4	4423520	Motor 8111	1	1	1
5	4421620	Solenoid	1	1	1
6	4420410	Breather	1	1	1
7	5704	Cover	1	1	1
8	5700100	Strap	1	1	1
9	4900000	Swivel Elbow	1	1	1
10	4965012	Hose 38.00"	1	1	1
11	4906-003	Velocity Fuse 3GPM	1	1	1
12	4900450	Elbow	1	1	1
13	5002131	Pin Asm	1	1	1
14	5001841	Pin Asm	1	1	1
15	4200521	Cylinder 3 x 10	1		
15	4200551	Cylinder 3.50 x 10		1	1
16	4300030	Battery Cable #2 x 25'	1	1	1
17	4350	Cable Lug	1	1	1
18	5701260	Cable Retainer	4	4	4
19	8180126	Screw .38 x 1.50	4	4	4
20	8120382	Lockwasher .38	4	4	4
21	8120377	Nut .38	4	4	4
22	8120388	Flatwasher .38	8	8	8
23	4900240	Tube Elbow	2	2	2
24	4952012	Tubing 36.00	1	1	1
25	3039	Tube	1	1	1
26	4301550	Toggle Switch	1	1	1
27	4301750	Toggle Seal	1	1	1
28	31225	Cap	1	1	1
29	8109-014	Self Tap Screw .25	2	2	2
30	4319-002	Heat Shrink	1	1	1
31	4301770	Circuit Breaker - 150A	1	1	1
32	4318-001	Cable Asm. #2 x 2'	1	1	1
33	4905	Straight Swivel	1	1	1
34	4422850	Pushbutton Control	1	1	1
35	4456	Reducer Bushing	1	1	1





ELECTRIC CONTROL POWER DOWN POWER UNIT

Item	Part Number	Description	Qty/Model		
			20	25	30
1	4400911	Power Unit incl 2 to 6	1	1	1
2	4421420	Pump Bracket	1	1	1
3	4421350	Mounting Bracket	1	1	1
4	4423520	Motor 8111	1	1	1
5	4421620	Solenoid	1	1	1
6	4420409	Breather	1	1	1
7	5704	Cover	1	1	1
8	5700100	Tie Strap	1	1	1
9	4900000	Swivel Elbow	2	2	2
10	4960000	Hose 48"	2	2	2
11	4900030	Restrictor Elbow	1	1	1
12	4318-001	Cable Asm #2 x 2'	1	1	1
13	5002131	Pin Asm	1	1	1
14	5001841	Pin Asm	1	1	1
15	4200521	Cylinder 3 x 10	1		
15	4200551	Cylinder 3.5 x 10		1	1
16	4300030	Battery Cable #2 x 25'	1	1	1
17	4350	Cable Terminal	1	1	1
18	5701260	Cable Retainer	4	4	4
19	8180126	Screw .38 x 1.50	4	4	4
20	8120382	Lockwasher .38	4	4	4
21	8120377	Nut .38	4	4	4
22	8120388	Flatwasher .38	8	8	8
23	3039	Tube	1	1	1
24	4301740	Toggle Switch	1	1	1
25	31225	Cap	1	1	1
26	8109-014	Self Tap Screw .25	2	2	2
27	4301750	Toggle Seal	1	1	1
28	4319-002	Heat Shrink	1	1	1
29	4301770	Circuit Breaker - 150A	1	1	1
30	4422860	Pushbutton Control	1	1	1
31	4900080	Swivel Tee	1	1	1
32	4929	Plug - .25 NPT	1	1	1

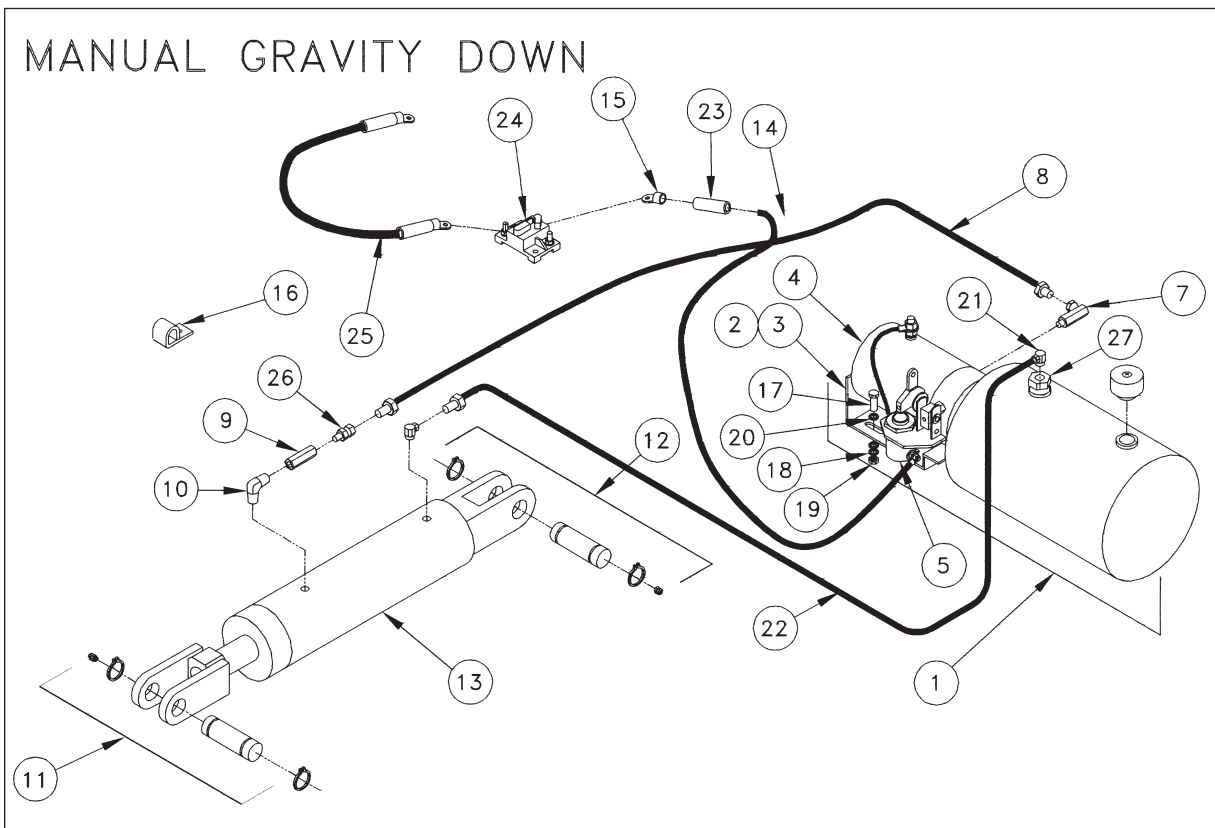


PTO PUMP

Item	Part Number	Description	Qty/Model		
			20	25	30
1	4800010	PTO Pump			
1	4800030	PTO Pump	1	1	1
2	5701000	Hose Clamp	8	8	8
3	2010070	Pump Base Angle	4	4	4
4	4200521	Cylinder 3 x 10	1		
4	4200601	Cylinder 3.50 x 10		1	1
5	8180022	Screw .25 x 1.00	8	8	8
6	8180126	Screw .38 x 1.50	4	4	4
7	8120388	Flatwasher .38	8	8	8
8	8120382	Lockwasher .38	4	4	4
9	8120377	Nut .38	4	4	4
10	4965017	168" Hose	2	2	2
11	5301040	Valve	1	1	1
12	4900040	Swivel Elbow	4	4	4
13	4900000	Swivel Elbow	3	3	3
14	4965012	38" Hose	2	2	2
15	5001841	Pin Assembly	1	1	1
16	5002131	Pin Assembly	1	1	1
17	8120386	Flatwasher .25	8	8	8
18	8120380	Lockwasher .25	8	8	8
19	8120375	Nut .25	8	8	8
20	2722090	Valve Bracket	1	1	1
21	4900030	Restrictor Elbow	1	1	1
22	8180091	Screw .31 x 2.50	3	3	3
23	8120214	Lockwasher .31	3	3	3
24	8120376	Nut .31	3	3	3

MANUAL CONTROL GRAVITY DOWN POWER UNIT

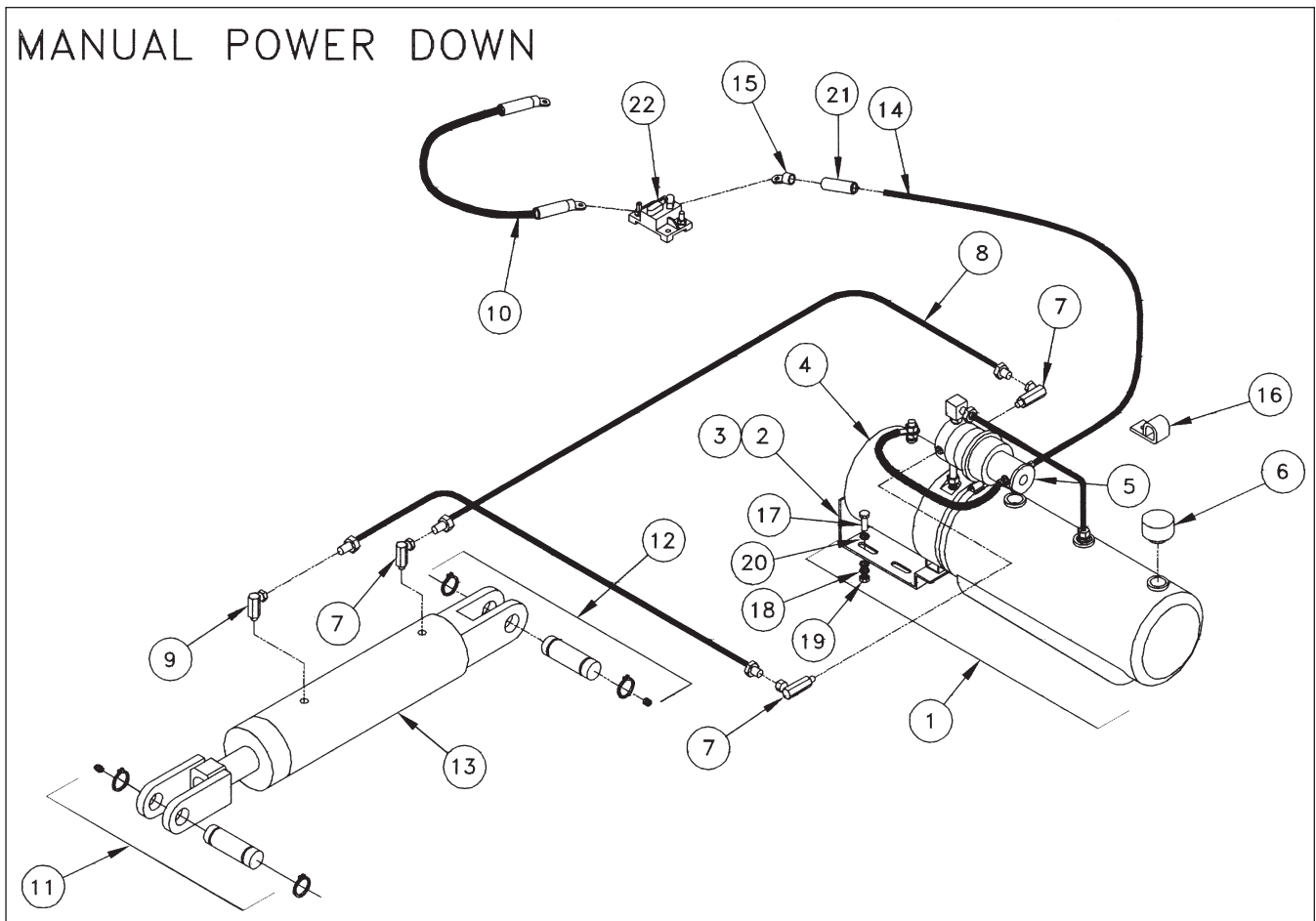
Item	Part Number	Description	Qty/Model		
			20	25	30
1	4400091	Power Unit incl 2 to 6	1	1	1
2	4421420	Pump Bracket	1	1	1
3	4421350	Mounting Bracket	1	1	1
4	4423520	Motor 8111	1	1	1
5	4422980	Canister Switch	1	1	1
6	4420410	Breather	1	1	1
7	4900000	Swivel Elbow	1	1	1
8	4965012	38" Hose	1	1	1
9	4906-003	Velocity Fuse 3GPM	1	1	1
10	4900450	Elbow	1	1	1
11	5002131	Pin Assembly	1	1	1
12	5001841	Pin Assembly	1	1	1
13	4200521	Cylinder 3 x 10	1		
13	4200551	Cylinder 3.50 x 10		1	1
14	4300030	Battery Cable #2 x 25'	1	1	1
15	4350	Cable Terminal	1	1	1
16	5701260	Cable Retainer	12	12	12
17	8180126	Screw .38 x 1.50	4	4	4
18	8120382	Lockwasher .38	4	4	4
19	8120377	Nut .38	4	4	4
20	8120388	Flatwasher	8	8	8
21	4900240	Tube Elbow	2	2	2
22	4952012	Tubing 36.00	1	1	1
23	4319-002	Heat Shrink	1	1	1
24	4301770	Circuit Breaker - 150A	1	1	1
25	4318-001	Cable Asm. #2 x 2'	1	1	1
26	4905	Straight Swivel	1	1	1
27	4456	Reducer Bushing	1	1	1



MANUAL CONTROL POWER DOWN POWER UNIT

Item	Part Number	Description	Qty/Model		
			20	25	30
1	4400241	Power Unit incl 2 to 6	1	1	1
2	4421420	Pump Bracket	1	1	1
3	4421350	Mounting Bracket	1	1	1
4	4423520	Motor 8111	1	1	1
5	4322	Canister Switch	1	1	1
6	4420409	Breather	1	1	1
7	4900000	Swivel Elbow	1	1	1
8	4965012	Hose 38.00"	2	2	2
9	4900030	Restrictor	1	1	1
10	4318-001	Cable Asm #2 x 2'	1	1	1
11	5002131	Pin Asm	1	1	1
12	5001841	Pin Asm	1	1	1
13	4200521	Cylinder 3 x 10	1		
13	4200551	Cylinder 3.50 x 10		1	1
14	4300030	Battery Cable #2 x 25'	1	1	1
15	4350	Cable Terminal	1	1	1
16	5701260	Cable Retainer	12	12	12
17	8180126	Screw .38 x 1.50	4	4	4
18	8120382	Lockwasher .38	4	4	4
19	8120377	Nut .38	4	4	4
20	8120388	Flatwasher .38	8	8	8
21	4319-002	Heat Shrink	1	1	1
22	4301770	Circuit Breaker	1	1	1

MANUAL POWER DOWN



TRUNNION, LIFT ARM, AND IDLER ARM

Item	Part Number	Description	Qty/Model		
			20	25	30
1	3108890	Trunnion	1	1	1
2	2726421	Mounting Bracket LH	1	1	1
3	2726422	Mounting Bracket RH	1	1	1
4	3187-001	Idler Arm Asm LH-incl 6,8,15-20	1	1	1
5	3187-002	Idler Arm Asm RH-incl 7,8,21,15-19	1	1	1
6	3191-001	Idler Arm LH	1	1	1
7	3191-002	Idler Arm RH	1	1	1
8	5001291	Pin Asm-IA to trunnion	2	2	2
9	5001971	Pin Asm-LA to platform	2	2	2
10	5001371	Pin Asm-LA to trunnion	2	2	2
11	5002131	Pin Asm-LA to cylinder	1	1	1
12	5002121	Pin Asm-LA to trunnion center	1	1	1
13	5001891	Pin Asm-IA to platform	2	2	2
14	5001841	Pin Asm-cylinder to trunnion	1	1	1
15	8126419	Screw .38 Carriage	2	2	2
16	9413534	Locknut .38	2	2	2
17	8100-002	Screw .50 Square Head	2	2	2
18	8120238	Jam nut .50	2	2	2
19	5001291	Pin Asm-yoke to IA	2	2	2
20	31044-001	Yoke LH	1	1	1
21	31044-002	Yoke RH	1	1	1
22	5100110	Spring	2	2	2
23	3108870	Lift arm	1	1	1

