



Innovation in Mobility

UNI-lite®
Personal Use
Wheelchair Lift

Service/Owner Manual

(To be retained by Owner After Installation by Authorized RICON Dealer)

○ This RICON product must be installed and serviced only by authorized RICON dealers.

The authorized RICON dealer must refer to this manual for installation instructions.

○ The owner must refer to this manual for operating instructions, then retain it for future reference by authorized RICON dealers who perform service and repairs.

Customer Name: _____
Installing Dealer: _____
Date Installed: _____
Serial Number: _____



REVISION RECORD

REV.	PAGE(S)	DESCRIPTION OF CHANGE	ECR/ECO
32DUL000.G 08/06/99	1-4	Revised new pendant.	002716/4101
	2-22	Add new pendant.	
	3-3 & 3-4	Revised electrical box assembly.	
	5-14	Add new pendant.	
	5-15 & 5-16	Revised parts list.	
END OF LIST			

I. INTRODUCTION 1-1

RICON 5-YEAR LIMITED WARRANTY 1-2

DEALER INFORMATION 1-3

GENERAL SAFETY PRECAUTIONS 1-3

PRODUCT TERMINOLOGY 1-4

II. INSTALLATION 2-1

A. REQUIRED TOOLS 2-1

B. MECHANICAL INSTALLATION 2-1

 1. VEHICLE PREPARATION 2-2

 2. INSTALLATION KIT DESCRIPTION 2-2

 3. LIFT PREPARATION 2-3

 4. MAIN POST EXTENSION ADJUSTMENTS 2-4

 5. BASE PLATE ADJUSTMENT 2-9

 6. POSITION LIFT INTO VEHICLE 2-10

 7. BRIDGEPLATE ADJUSTMENT 2-14

 8. PLATFORM TILT ADJUSTMENT 2-15

 9. INSTALL LIFT IN VEHICLE 2-15

C. ELECTRICAL INSTALLATION 2-16

D. ELECTRICAL LIMIT SWITCH ADJUSTMENTS 2-18

E. INSTALLATION VERIFICATION 2-21

F. CUSTOMER ORIENTATION 2-21

III. OPERATING INSTRUCTIONS	3-1
A. SAFETY PRECAUTIONS	3-1
B. DAILY SAFETY CHECK	3-2
C. LIFT FUNCTIONS	3-2
D. CONTROLS AND INDICATORS	3-3
1. CONTROL PENDANT	3-3
2. HANDRAIL SWITCH	3-3
3. SPEED WRENCH	3-3
4. ELECTRICAL CONTROLS AND INDICATORS	3-4
E. LIFT OPERATION	3-6
1. TO ENTER VEHICLE	3-6
2. TO EXIT VEHICLE	3-7
3. TO STOW PLATFORM	3-7
4. MANUAL OPERATION	3-7
IV. MAINTENANCE	4-1
A. CLEANING AND LUBRICATION	4-1
B. ELECTRICAL SYSTEM	4-1
C. MAINTENANCE SCHEDULE	4-1
D. TROUBLESHOOTING GUIDE	4-2
E. TROUBLESHOOTING PROCEDURE	4-2
F. CIRCUIT TRACE PROCEDURE	4-3

G. ELECTRICAL WIRING DIAGRAM 4-4

 2. UNI-lite LIMIT SWITCH STATE DESCRIPTION 4-5

 3. WIRING DIAGRAMS 4-5

V. PARTS DIAGRAMS AND LISTS 5-1

APPENDIX 1. LIFT SPECIFICATIONS 5-21

FIGURE [1-1]: LIFT REFERENCE	1-4
FIGURE [2-1]: INSTALLATION KIT COMPONENTS	2-2
FIGURE [2-2]: CONTROLLER WIRE ROUTING DIAGRAM	2-4
FIGURE [2-3]: STANDARD CONFIGURATION-EXTEND	2-6
FIGURE [2-4]: EXTENDED CONFIGURATION	2-6
FIGURE [2-5]: EXTENDED CONFIGURATION SIDE VIEWS	2-6
FIGURE [2-6]: STANDARD CONFIGURATION - SHORTEN	2-7
FIGURE [2-7]: ROTATE GEAR MOTOR ASSEMBLY	2-8
FIGURE [2-8]: SHORTENED CONFIGURATION	2-8
FIGURE [2-9]: SHORTENED CONFIGURATION - SIDE VIEWS	2-8
FIGURE [2-10]: BASE PLATE MOUNTING	2-9
FIGURE [2-11]: SIDE DOOR INSTALLATION CLEARANCES	2-10
FIGURE [2-12]: REAR DOOR INSTALLATION CLEARANCES	2-10
FIGURE [2-13]: EXTENSION BRACKET MOUNTING	2-11
FIGURE [2-14]: INTERMEDIATE & MOUNTING BRACKET INSTALLATION	2-12
FIGURE [2-15]: LIFT OPERATING CLEARANCE	2-14
FIGURE [2-16]: BRIDGEPLATE/PLATFORM GAP	2-14
FIGURE [2-17]: PLATFORM SUPPORT CHAIN ADJUSTMENT	2-15
FIGURE [2-18]: LIMIT SWITCH ADJUSTMENTS	2-18
FIGURE [2-19]: DECAL LOCATIONS AND PART NUMBERS	2-22
FIGURE 3-1]: UNSAFE VEHICLE SLOPING	3-1
FIGURE [3-2]: SAFETY DECAL	3-1
FIGURE [3-3]: CONTROL PENDANT	3-3
FIGURE [3-4]: HANDRAIL SWITCH	3-3
FIGURE [3-5]: SPEED WRENCH	3-3
FIGURE [3-6]: ELECTRICAL BOX ASSEMBLY	3-4
FIGURE [3-7]: MAIN CIRCUIT BREAKER	3-5
FIGURE [3-8]: MANUAL OPERATION DECAL	3-7

FIGURE [4-1]: MOLEX® CONNECTORS	4-4
FIGURE [4-2]: DIAGRAM SYMBOLS	4-5
○ FIGURE [4-3]: LIMIT SWITCH ACTUATION DIAGRAM	4-5
FIGURE [4-4]: ELECTRICAL WIRING DIAGRAM FOR SERIAL NUMBERS 101 TO 6295	4-6
FIGURE [4-5]: ELECTRICAL WIRING DIAGRAM FOR SERIAL NUMBERS 6296 TO 7724	4-7
FIGURE [4-6]: ELECTRICAL WIRING DIAGRAM FOR SERIAL NUMBERS 7725 AND HIGHER	4-8
FIGURE [5-1]: UNI-lite PLATFORM ASSEMBLY	5-2
FIGURE [5-2]: UNI-lite DUAL ENTRY PLATFORM ASSEMBLY	5-6
FIGURE [5-3]: UNI-lite BASE ASSEMBLY	5-10
FIGURE [5-4]: UNI-lite ELECTRICAL ASSEMBLY	5-14
FIGURE [5-5]: UNI-lite PLATFORM POST ASSEMBLY	5-18



LIST OF TABLES

PAGE

TABLE [1-1]: UNI-lite PERSONAL USE LIFT TERMINOLOGY 1-5

TABLE [2-1]: UNI-lite APPLICATIONS 2-1

TABLE [2-2]: INSTALLATION KIT COMPONENTS 2-2

TABLE [2-3]: VANS REQUIRING MAIN POST EXTENSION ADJUSTMENT 2-4

TABLE [2-4]: BASE PLATE ADJUSTMENT 2-9

TABLE [2-5]: VAN LIFT POSITION 2-10

TABLE [2-6]: MOUNTING BRACKET APPLICATIONS 2-12

TABLE [2-7]: LIFT TILT SPECIFICATIONS 2-13

TABLE [2-8]: LIMIT SWITCH ADJUSTMENTS 2-19

TABLE [3-1]: LIFT FUNCTIONS 3-2

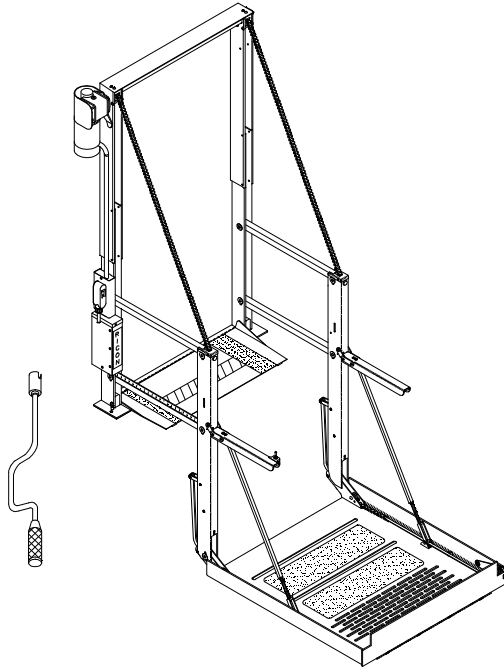
TABLE [4-1]: ROUTINE INSPECTION 4-1

TABLE [4-2]: CONTROLLER INDICATORS 4-3

TABLE [4-3]: COLOR CODE DEFINITIONS 4-4

I. INTRODUCTION

The RICON UNI-lite Personal Use Wheelchair Lift provides wheelchair access to personal vans. With its aluminum alloy construction, UNI-lite lifts up to 600 pounds (273 kilograms), yet its lightweight has little, if any effect on vehicle handling. The lift is designed to be operated by a person in a wheelchair, or by an attendant. Unique, adjustable post design means that UNI-lite fits standard and raised doors of most full-size vans and some minivans. The large non-skid platform accommodates most wheelchairs, while the compact size maximizes vehicle interior space.



Standard features of the UNI-lite are convenient twin handrails with a control switch, a powerful electric motor and direct gear drive, and a powered roll stop with mechanical latch. The UNI-lite also contains a built-in manual backup system with a manual wrench, and a simple modular electrical system.

This manual contains installation, operation, service and maintenance instructions for the UNI-lite. The installation instructions must be followed exactly, no steps should be eliminated nor should the product be modified. It is important to user safety that the installation is correct. It is equally important that the Ricon sales/service staff be completely familiar with the Operating Instructions chapter of this manual to demonstrate and explain the proper use of the product to the user. Once the UNI-lite is installed, it is very important that the lift be properly maintained by following the Ricon recommended cleaning, lubrication, and inspection instructions.

If there are questions about this manual or additional copies are needed, please contact the Ricon Product Support Department at one of the following locations:

Ricon Corporation
7900 Nelson Road,
Panorama City, CA 91402
Outside (818) Area Code
World Wide Website

..... (818) 267-3000
..... (800) 322-2884
..... riconcorp.com

Ricon U.K. Ltd.
Littlemoss Business Park, Littlemoss Road
Droylsden, Manchester
United Kingdom, M43 7EF

..... (+44) 161 301 6000

Ricon Scandinavia A/S
Stanseveien 27
N-0976 Oslo
Norway

..... (+47) 22 16 70 90

RICON 5-YEAR LIMITED WARRANTY

Ricon Corporation (Ricon) warrants to the original purchaser of this product that Ricon will repair or replace, at its option, any part that fails due to defective material or workmanship as follows:

- Repair or replace lift power train parts for a period of five (5) years from date of purchase. A complete list of parts covered can be obtained from your authorized Ricon dealer or Ricon.
- Repair or replace parts for a period of one (1) year from date of purchase.
- Labor costs for specified parts replaced under this warranty for a period of one (1) year from date of purchase. A Ricon rate schedule determines the parts covered and labor allowed.

If You Need to Return a Product: Return this Ricon product to your installing dealer. Please give as much advance notice as possible and allow a reasonable amount of time for repairs.

If You are Traveling: All authorized Ricon dealers will honor this warranty. Consult the telephone directory or call our Service Department for the name of the nearest authorized Ricon dealer.

This Warranty does not Cover:

- Malfunction or damage to product parts caused by accident, misuse, lack of proper maintenance, neglect, improper adjustment, modification, alteration, the mechanical condition of the vehicle, road hazards, overloading, failure to follow operating instructions, or acts of Nature (i.e., weather, lightning, flood, etc.).

Note: Ricon recommends that this product be inspected by an authorized Ricon dealer at least once every six months or sooner if necessary. Any required maintenance or repair should be performed at that time.

This Warranty is Void if:

WARNING

THIS PRODUCT HAS BEEN DESIGNED AND MANUFACTURED TO EXACT SPECIFICATIONS. MODIFICATION OF THIS PRODUCT IN ANY RESPECT CAN BE DANGEROUS.

- The product has been installed or maintained by someone other than an authorized Ricon dealer.
- The product has been modified or altered in any respect from its original design without written authorization by Ricon.

Ricon disclaims liability for any personal injury or property damage that results from operation of a Ricon product that has been modified from the original Ricon design. No person or company is authorized to change the design of this Ricon Product without written authorization by Ricon.

Ricon's obligation under this warranty is exclusively limited to the repair or exchange of parts that fail within the applicable warranty period.

Ricon assumes no responsibility for expenses or damages, including incidental or consequential damages. Some states do not allow the exclusion or limitation of incidental or consequential damages, so the above limitation or exclusion may not apply.

Important: The warranty registration card must be completed and returned to Ricon within twenty (20) days after installation of this Ricon product for the warranty to be valid. The warranty is not transferable.

The warranty gives specific legal rights, and there may be other rights that vary from state to state.

DEALER INFORMATION

Because of the specialized nature of the product, Ricon does not sell directly to the user. Instead, the product is distributed through the worldwide network of authorized Ricon dealers, who perform the actual installation.

- C When the product is received, unpack the product and check for freight damage. Claims for any damage should be made to the freight carrier immediately.
- C Be sure the installation kit contains all items listed on the kit packing list. **Please report any missing items immediately to the Ricon Product Support Department.** The warranty and owner's registration cards must be completed and returned to Ricon within twenty (20) days for the warranty to be valid.

NOTE

The Sales/Service Personnel must review the Warranty and this Service/Owner Manual with the user to be certain that they understand the safe operation of the product. Instruct the user to follow the operating instructions without exception.

GENERAL SAFETY PRECAUTIONS

The following general safety precautions must be followed during installation, operation, service and maintenance:

1. Under no circumstances should installation, maintenance, repair, and adjustments be attempted without the immediate presence of a person capable of rendering aid.
2. An injury, no matter how slight, should always be attended. Always administer first aid or seek medical attention immediately.
3. Protective eye shields and appropriate clothing should be worn at all times.
4. To avoid injury, always exercise caution when operating and be certain that hands, feet, legs, and clothing are not in the path of product movement.
5. Batteries contain acid that can burn. If acid comes in contact with skin, flush affected area with water and wash with soap immediately.
6. Always work in a properly ventilated area. Do not smoke or use an open flame near a battery.
7. Do not lay anything on top of a battery.
8. Check under vehicle before drilling so as not to drill into frame, subframe members, wiring, hydraulic lines, fuel lines, fuel tank, etc.
9. Read and thoroughly understand the operating instructions before attempting to operate.
10. Inspect the product before each use. If an unsafe condition, unusual noises or movements exist, do not use it until the problem is corrected.
11. Never load or stand on the platform until installation is complete. Upon completion of installation, always test load the lift to 125% of its rated load capacity.
12. Stand clear of doors and platform and keep others clear during operation.
13. The product requires regular periodic maintenance. A thorough inspection is recommended at least once every six months. The product must always be maintained at the highest level of performance.

PRODUCT TERMINOLOGY

The references used throughout this manual are illustrated in **Figure [1-1]** and defined in **Table [1-1]**. Refer to **Chapter V** for more details.

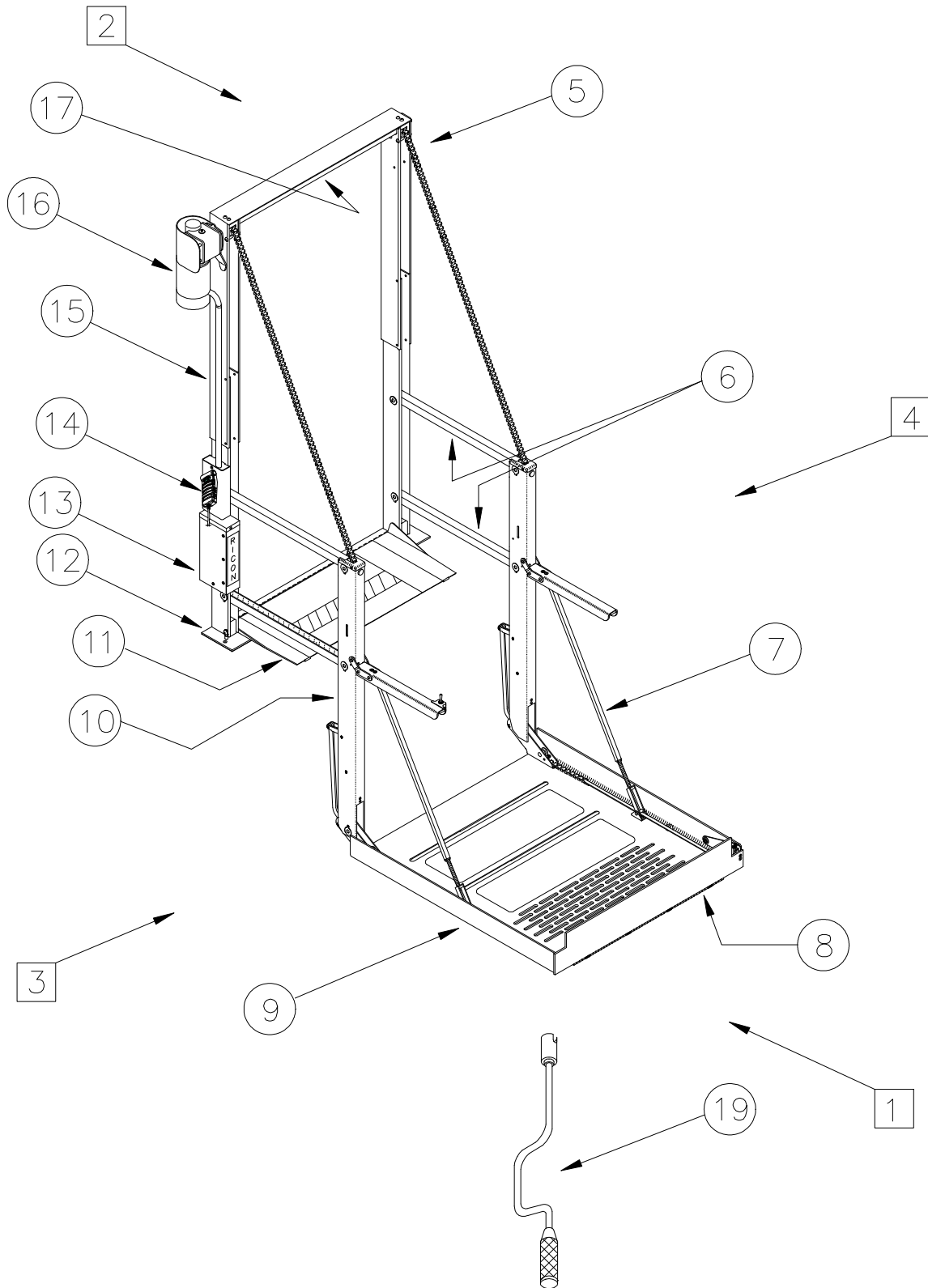


FIGURE [1-1]: LIFT REFERENCE

TABLE [1-1]: UNI-lite PERSONAL USE LIFT TERMINOLOGY

REF.	NAME	DESCRIPTION
1	Front	Reference point from outside the vehicle looking inward.
2	Back	
3	Left	
4	Right	
5	Serial number location	Location of serial number decal.
6	Parallel Arm(s)	Left and right arms that connect the Main Posts to the Platform Posts. (These arms pivot as platform lowers to ground.)
7	Platform Support Chains	Covered left and right chains that provide additional support for the platform.
8	Platform Roll Stop	Barrier to prevent the wheelchair from slow, inadvertent rolling off the platform during lift operation.
9	Platform	Platform where the wheelchair is positioned during lift operations.
10	Platform Post(s)	Left and right posts connected to platform. (These posts enter and exit vehicle as the platform is raised and lowered.)
11	Bridgeplate	Plate that extends across the vehicle threshold and the platform.
12	Base Plate	Lift support plate bolted to vehicle floor.
13	Electrical Box Assembly	Assembly that contains the lift controller and electrical circuit breakers.
14	Control Pendant	Hand-held or lift-mounted pendant that contains switches used to control the lift operating functions.
15	Main Post(s)	Left and right posts that stay inside the vehicle. (These posts are not directly connected to the platform.)
16	Motor and Gear Box	12 volt direct current (DC) motor and gear box that power the lift functions.
17	Drive Shaft	Chain drive shaft for lift operations.
18	Handrail Switch	The switch that operates the UP/DOWN function of the lift.
19	Speed Wrench	Wrench that is used to manually operate the lift.

END OF TABLE