



Innovation in Mobility

***UNI-lite™
Transit Use
Wheelchair Lift***

Service/Owner Manual

(To be retained by Owner After Installation by Authorized RICON Dealer)

08/06/99

32DSDT00.C

U.S. Patent #5,234,311
Other U.S. and foreign patents pending

©1992-9 RICON CORP.
All Rights Reserved
Printed in the
United States of America

This RICON Product must be installed and serviced only by authorized RICON dealers.

The authorized RICON dealer must refer to this manual for installation instructions.

The owner must refer to this manual for operating instructions, then retain it for future reference by authorized RICON dealers who perform service and repairs.

Customer Name: _____
Installing Dealer: _____
Date Installed: _____
Serial Number: _____

RECORD OF CHANGE OR REVISION

○ This listing contains a record of all page changes and/or revisions added to or to be added into this manual. The page(s) listed below are the changed pages of the latest revision. Not all of the listed pages contain changes but are included for ease of installation. The arrows (» or °) found on the outer edge of the page(s) indicate the revised or changed area, section, or paragraph of the page.

No action is required if the page change(s) has been incorporated into this manual. To install a page change package if NOT incorporated, remove the Record of Change or Revision page and the page(s) listed below from the present manual. Install the new page(s) into the manual according to their page number(s) and discard the removed page(s).

REV.	PAGE(S)	DESCRIPTION OF CHANGE	ECR / ECO
32DSDT00.C 08/06/99	5-4 & 5-5	Revised drawing and parts list.	002794/4122
END OF LIST			



I. **INTRODUCTION** 1-1

 RICON 5-YEAR LIMITED WARRANTY 1-2

 DEALER INFORMATION 1-3

 GENERAL SAFETY PRECAUTIONS 1-3

 PRODUCT TERMINOLOGY 1-4

II. **INSTALLATION** 2-1

 A. MECHANICAL 2-1

 1. Lift Location 2-1

 2. Lift Mounting 2-1

 B. ELECTRICAL 2-1

 C. ELECTRICAL LIMIT SWITCH ADJUSTMENTS 2-1

 D. VERIFY INSTALLATION 2-5

III. **OPERATING INSTRUCTIONS** 3-1

 A. SAFETY PRECAUTIONS 3-1

 B. DAILY SAFETY CHECK 3-2

 C. LIFT FUNCTIONS 3-2

 D. CONTROLS AND INDICATORS 3-3

 1. LIFT CONTROL SWITCHES 3-3

 2. SPEED WRENCH 3-3

 3. ELECTRICAL CONTROLS 3-3

 E. LIFT OPERATION 3-4

 1. TO ENTER VEHICLE: 3-4

 2. TO EXIT VEHICLE: 3-5

 3. TO FOLD PLATFORM: 3-5

 4. MANUAL OPERATION: 3-5

IV. MAINTENANCE	4-1
A. CLEANING AND LUBRICATION	4-1
B. ELECTRICAL SYSTEM	4-1
C. MAINTENANCE SCHEDULE	4-1
D. TROUBLESHOOTING GUIDE	4-2
E. TROUBLESHOOTING PROCEDURE	4-2
F. CIRCUIT TRACE PROCEDURE	4-2
G. ELECTRICAL WIRING DIAGRAM	4-3
1. DIAGRAM LEGEND	4-3
2. UNI-lite™ TRANSIT LIMIT SWITCH STATE DESCRIPTION	4-4
3. WIRING DIAGRAM	4-5
V. PARTS DIAGRAMS AND LISTS	5-1

LIST OF FIGURES

PAGE

○ FIGURE [1-1]: UNI-lite™ TRANSIT WHEELCHAIR LIFT	1-4
FIGURE [2-1]: PLATFORM SUPPORT CHAIN ADJUSTMENT	2-1
FIGURE [2-2]: LIMIT SWITCH ADJUSTMENTS	2-2
FIGURE [2-3]: DECAL LOCATIONS AND PART NUMBERS	2-5
FIGURE [3-1]: UNSAFE VEHICLE SLOPING	3-1
FIGURE [3-2]: SAFETY DECAL	3-1
FIGURE [3-3]: CONTROL SWITCHES	3-3
FIGURE [3-4]: SPEED WRENCH	3-3
FIGURE [3-5]: CIRCUIT BREAKER LOCATIONS	3-3
FIGURE [3-6]: MAIN CIRCUIT BREAKER	3-4
FIGURE [3-7]: MANUAL OPERATION DECAL	3-6
FIGURE [4-1]: MOLEX® CONNECTORS	4-4
FIGURE [4-2]: DIAGRAM SYMBOLS	4-4
○ FIGURE [4-3]: LIMIT SWITCH ACTUATION DIAGRAM	4-5
FIGURE [4-3]: ELECTRICAL WIRING DIAGRAM	4-6
FIGURE [5-1]: UNI-lite™ TRANSIT LIFT ELECTRICAL ASSEMBLY	5-2
FIGURE [5-2]: UNI-lite™ TRANSIT LIFT BASE ASSEMBLY	5-4
FIGURE [5-3]: UNI-lite™ TRANSIT PLATFORM POST ASSEMBLY	5-8
FIGURE [5-4]: UNI-lite™ TRANSIT PLATFORM ASSEMBLY	5-10

LIST OF TABLES

PAGE

TABLE [1-1]: UNI-lite™ TERMINOLOGY	1-5
TABLE [2-1]: LIMIT SWITCH ADJUSTMENTS	2-3
TABLE [3-1]: LIFT FUNCTIONS	3-1
TABLE [4-1]: ROUTINE INSPECTION	4-1
TABLE [4-2]: COLOR CODE DEFINITIONS	4-3

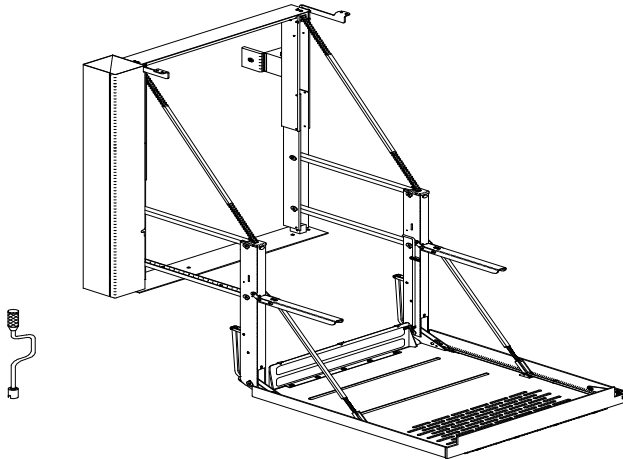


NOTES



I. INTRODUCTION

The RICON UNI-lite™ Transit Use Wheelchair Lift provides wheelchair access to buses and other mass transit vehicles. With its lightweight aluminum alloy construction, UNI-lite™ easily lifts up to 600 pounds (273 kilograms). The patented movement ensures smooth, safe entry and exit. The large non-skid platform accommodates most wheelchairs, while the compact size maximizes vehicle interior space. Standard features of the UNI-lite™ are convenient twin handrails, a powerful electric motor and direct gear drive, and a powered roll stop with mechanical latch. The UNI-lite™ also contains a built-in manual backup system with a manual wrench, while its simple modular electrical system is virtually maintenance free.



This manual contains installation, operation, service and maintenance instructions for the UNI-lite™. The installation instructions must be followed exactly, no steps should be eliminated nor should the product be modified. It is important to user safety that the installation is thorough and correct. It is equally important that the Ricon sales/service staff be completely familiar with the Operating Instructions section of this manual to demonstrate and explain the proper use of the product to the user. Once the UNI-lite™ is installed, the only required maintenance is recommended cleaning and lubrication.

If there are questions about this manual or additional copies are needed, please contact the Ricon Product Support Department at one of the following locations:

**7900 Nelson Road
Panorama City, CA 91402
Outside (818) Area Code
World Wide Website**

Ricon Corporation
..... (818) 267-3000
..... (800) 322-2884
..... riconcorp.com

**Ricon U.K. Ltd.
Littlemoss Business Park, Littlemoss Road
Droylsden, Manchester
United Kingdom, M43 7EF**

..... (+44) 161 301 6000

**Ricon Scandinavia AS
Stanseveien 27
N-0976 Oslo
Norway**

..... 011-47-22-16-70-90

RICON 5-YEAR LIMITED WARRANTY

Ricon Corporation (Ricon) warrants to the original purchaser of this product that Ricon will repair or replace, at its option, any part that fails due to defective material or workmanship as follows:

- Repair or replace lift power train parts for a period of five (5) years from date of purchase. A complete list of parts covered can be obtained from your authorized Ricon dealer or Ricon.
- Repair or replace parts for a period of one (1) year from date of purchase.
- Labor costs for specified parts replaced under this warranty for a period of one (1) year from date of purchase. A Ricon rate schedule determines the parts covered and labor allowed.

If You Need to Return a Product: Return this Ricon product to your installing dealer. Please give as much advance notice as possible and allow a reasonable amount of time for repairs.

If You are Traveling: All authorized Ricon dealers will honor this warranty. Consult the telephone directory or call our Service Department for the name of the nearest authorized Ricon dealer.

This Warranty does not Cover:

- Ⓒ Malfunction or damage to product parts caused by accident, misuse, lack of proper maintenance, neglect, improper adjustment, modification, alteration, the mechanical condition of the vehicle, road hazards, overloading, failure to follow operating instructions, or acts of Nature (i.e., weather, lightning, flood, etc.).

Note: Ricon recommends that this product be inspected by an authorized Ricon dealer at least once every six months or sooner if necessary. Any required maintenance or repair should be performed at that time.

This Warranty is Void if:

▲WARNING

THIS PRODUCT HAS BEEN DESIGNED AND MANUFACTURED TO EXACT SPECIFICATIONS. MODIFICATION OF THIS PRODUCT IN ANY RESPECT CAN BE DANGEROUS.

- Ⓒ The product has been installed or maintained by someone other than an authorized Ricon dealer.
- Ⓒ The product has been modified or altered in any respect from its original design without written authorization by Ricon.

Ricon disclaims liability for any personal injury or property damage that results from operation of a Ricon product that has been modified from the original Ricon design. No person or company is authorized to change the design of this Ricon Product without written authorization by Ricon.

Ricon's obligation under this warranty is exclusively limited to the repair or exchange of parts that fail within the applicable warranty period.

Ricon assumes no responsibility for expenses or damages, including incidental or consequential damages. Some states do not allow the exclusion or limitation of incidental or consequential damages, so the above limitation or exclusion may not apply.

Important: The warranty registration card must be completed and returned to Ricon within twenty (20) days after installation of this Ricon product for the warranty to be valid. The warranty is not transferable.

The warranty gives specific legal rights, and there may be other rights that vary from state to state.

DEALERS INFORMATION

Because of the specialized nature of the product, Ricon does not sell directly to the user. Instead, the product is distributed through the worldwide network of authorized Ricon dealers, who perform the actual installation.

- C When the product is received, check the **Shock Indicator** on shipping box, unpack the product and check for freight damage. Claims for any damage should be made to the carrier immediately.
- C Be sure the installation kit contains all items listed on the kit packing list. **Please report any missing items immediately to the Ricon Product Support Department.** The warranty and owner's registration cards must be completed and returned to Ricon within twenty (20) days for the warranty to be valid.

NOTE

The Sales/Service Personnel must review the Warranty and this Service/Owner Manual with the user to be certain that they understand the safe operation of the product. Instruct the user to follow the operating instructions without exception.

GENERAL SAFETY PRECAUTIONS

The following general safety precautions must be followed during installation, operation, service and maintenance:

1. Under no circumstances should installation, maintenance, repair, and adjustments be attempted without the immediate presence of a person capable of rendering aid.
2. An injury, no matter how slight, should always be attended. Always administer first aid or seek medical attention immediately.
3. Protective eye shields and appropriate clothing should be worn at all times.
4. To avoid injury, always exercise caution when operating and be certain that hands, feet, legs, and clothing are not in the path of product movement.
5. Batteries contain acid that can burn. If acid comes in contact with skin, flush affected area with water and wash with soap immediately.
6. Always work in a properly ventilated area. Do not smoke or use an open flame near a battery.
7. Do not lay anything on top of a battery.
8. Check under vehicle before drilling so as not to drill into frame, subframe members, wiring, hydraulic lines, fuel lines, fuel tank, etc.
9. Read and thoroughly understand the operating instructions before attempting to operate.
10. Inspect the product before each use. If an unsafe condition, unusual noises or movements exist, do not use it until the problem is corrected.
11. Never load or stand on the platform until installation is complete. Upon completion of installation, always test load the lift to 125% of its rated load capacity.
12. Stand clear of doors and platform and keep others clear during operation.
13. The product requires regular periodic maintenance. A thorough inspection is recommended at least once every six months. The product must always be maintained at the highest level of performance.

PRODUCT TERMINOLOGY

The references used throughout this manual are illustrated in Figure [1-1] and defined in Table [1-1]. Refer to Chapter V for more details.

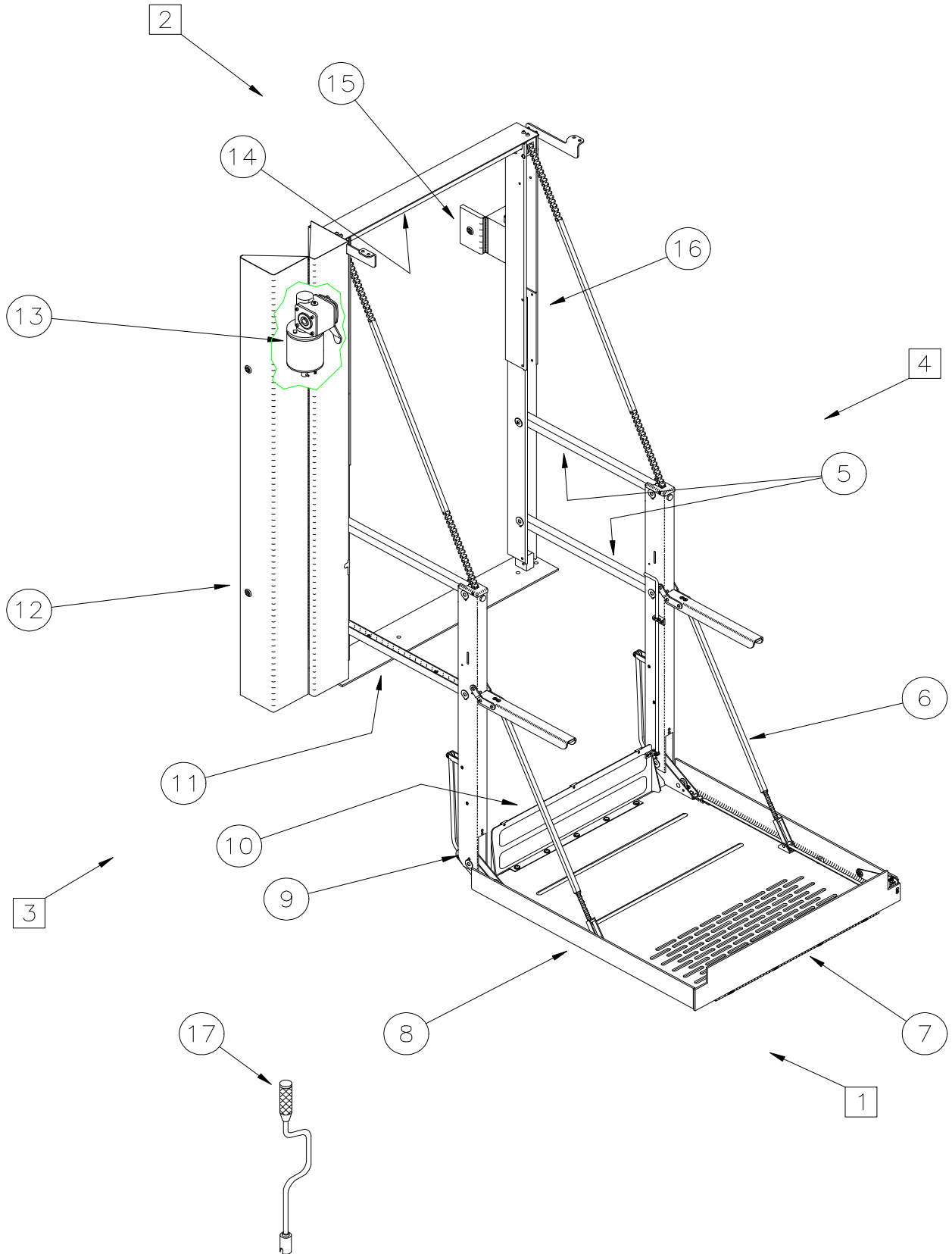


FIGURE [1-1]: LIFT REFERENCE

TABLE [1-1]: UNI-lite™ TRANSIT USE LIFT TERMINOLOGY		
REF.	NAME	DESCRIPTION
1	Front	Reference point from outside the vehicle looking inward.
2	Back	
3	Left	
4	Right	
5	Parallel Arm(s)	Left and right arms that connect the Main Posts to the Platform Posts. (These arms pivot as platform lowers to ground.)
6	Platform Support Chains	Covered left and right chains that provide additional support for the platform.
7	Platform Roll Stop	Barrier to prevent the wheelchair from slow, inadvertent rolling off the platform during lift operation.
8	Platform	Platform where the wheelchair is positioned during lift operations.
9	Platform Post(s)	Left and right posts connected to platform. (These posts enter and exit vehicle as the platform is raised and lowered.)
10	Bridgeplate	Plate that extends across the vehicle threshold and the platform.
11	Base Plate	Lift support plate bolted to vehicle floor.
12	Electrical Enclosure	Metal enclosure that houses the lift electrical system. This enclosure requires the lift key for access.
13	Motor and Gear Box	12 volt direct current (DC) motor and gear box that power the lift functions.
14	Drive Shaft	Chain drive shaft for lift operations.
15	Switch Enclosure	Enclosure that contains the switches that operate the lift functions. This enclosure also requires the lift key for access.
16	Main Post(s)	Left and right posts that stay inside the vehicle. (These posts are not directly connected to the platform.)
17	Speed Wrench	Wrench that is used to manually operate the lift.
END OF TABLE		