

LIFT SPECIFICATIONS AND DIMENSIONS - FOREIGN

UNI-LITE™

AUTOMATIC WHEELCHAIR LIFTS

TRANSIT USE - A.D.A.



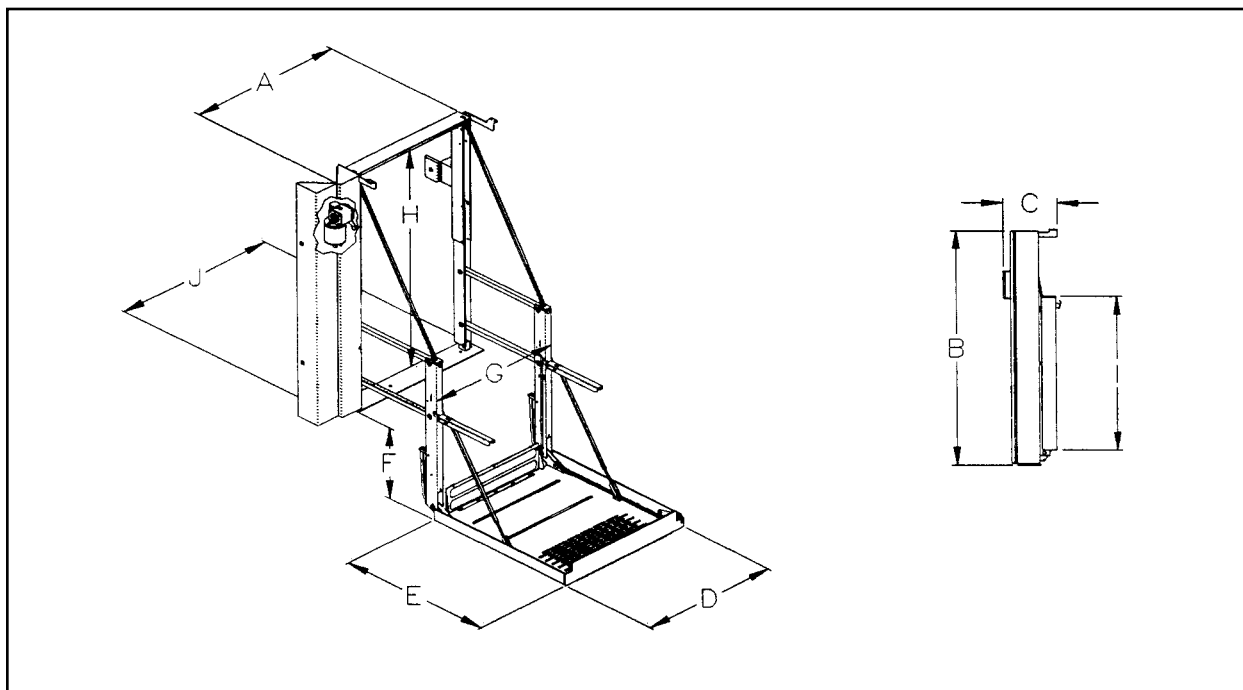
Power electro-hydraulic motor

Rated load capacity 300 kg.

Motor Rating 24 Volt DC, 63 Amp avg./cycle

Manual backup (up) Speed-wrench operated

Weight 91 kg.



Model #	Part #	A Stationary frame width	B Height Lift	C Installation depth (folded)	D Usable platform width	E Usable platform length	F Floor to ground travel	G Traveling frame width	H Clear entry height	I Floor to end of platform folded	J Width Base Plate
U6-3248 ADA	UL4214-4510210	1130	1854	425	813	1219	1118	940	1778	1372	1016

All dimensions in millimeters.