

LIFT SPECIFICATIONS AND DIMENSIONS

UNI-LITE™

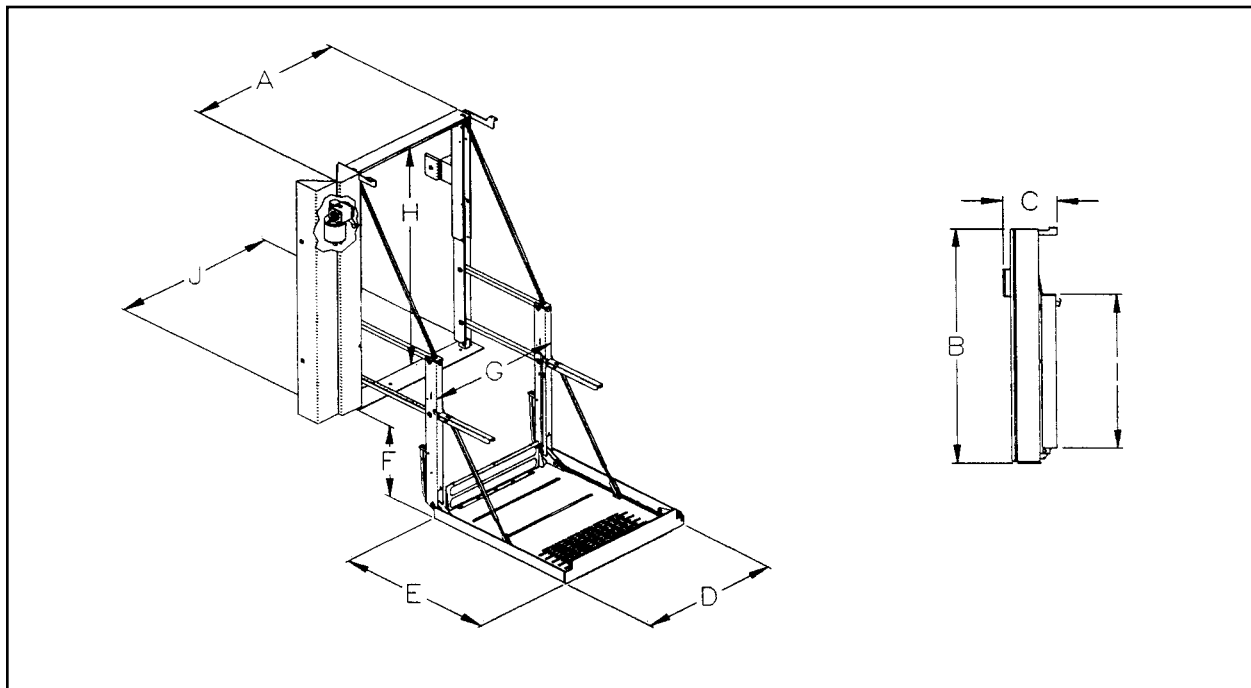
AUTOMATIC WHEELCHAIR LIFTS

TRANSIT USE - A.D.A.



Power electro-hydraulic motor
 Motor Rating 24 Volt DC, 63 Amp avg./cycle
 Weight 200 lbs.

Rated load capacity 660 lbs.
 Manual backup (up) Speed-wrench operated



Model #	Part #	A Stationary frame width	B Height Lift	C Installation depth (folded)	D Usable platform width	E Usable platform length	F Floor to ground travel	G Traveling frame width	H Clear entry height	I Floor to end of platform folded	J Width Base Plate
U6-3248 ADA	UL4214-4510210	44.5	73	16.75	32	48	44	37	70	54	40

All dimensions in inches.