

LIFT SPECIFICATIONS AND DIMENSIONS - FOREIGN

UNI-LITE™

AUTOMATIC WHEELCHAIR LIFTS

PERSONAL USE



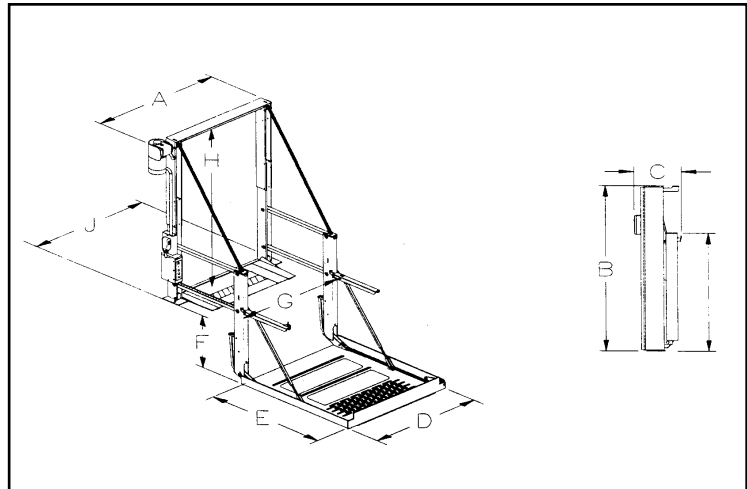
Power electro-hydraulic motor

Motor rating-12 volts DC 12 Volt DC, 63 Amp avg/cycle

Weight 73 kg

Rated load capacity 272 kg.

Manual backup Speed-wrench operated



Model #	Part #	A Stationary frame width	B Height (folded)	C Installation depth (folded)	D Usable platform width	E Usable platform length	F Floor to ground travel 1. Stepwell	F Floor to ground travel 2. Flat Floor	G Traveling frame width	H Clear entry width	I Floor to end of platform folded	J Width Base Plate
U6-2636	UL2400-1	940	1194-1448	305	660	914	NA	610	787	1118-1372	1080	864
	UL2401-1	940	1194-1448	305	660	914	NA	610	787	1118-1372	1080	864
U6-2639	UL2802-1	940	1194-1448	305	660	991	762	711	787	1118-1372	1156	864
	UL2803-1	940	1194-1448	305	660	991	762	711	787	1118-1372	1156	864
U6-2644	UL2804-2	940	1194-1448	305	660	1118	762	711	787	1118-1372	1283	864
	UL2805-2	940	1194-1448	305	660	1118	762	711	787	1118-1372	1283	864
U6-2940	UL2806-2	1016	1270-1448	305	737	1016	762	711	864	1194-1372	1181	940
	UL2807-2	1016	1270-1448	305	737	1016	762	711	864	1194-1372	1181	940
U6-2940T	UL2806-3	1016	1499-1651	305	737	1016	762	711	864	1422-1575	1181	940
	UL2807-3	1016	1499-1651	305	737	1016	762	711	864	1422-1575	1181	940
U6-2944	UL2808-2	1016	1270-1448	305	737	1118	762	711	864	1194-1372	1283	940
	UL2809-2	1016	1270-1448	305	737	1118	762	711	864	1194-1372	1283	940
U6-2944T	UL2808-3	1016	1499-1651	305	737	1118	762	711	864	1422-1575	1283	940
	UL2809-3	1016	1499-1651	305	737	1118	762	711	864	1422-1575	1283	940
U6-3240	UL2810-2	1092	1270-1148	305	813	1016	762	711	940	1194-1372	1181	1016
	UL2811-2	1092	1270-1148	305	813	1016	762	711	940	1194-1372	1181	1016
U6-3240T	UL2810-3	1092	1499-1651	305	813	1016	762	711	940	1422-1575	1181	1016
	UL2811-3	1092	1499-1651	305	813	1016	762	711	940	1422-1575	1181	1016
U6-3244	UL2812-2	1092	1270-1448	305	813	1118	762	711	940	1194-1372	1283	1016
	UL2813-2	1092	1270-1448	305	813	1118	762	711	940	1194-1372	1283	1016
U6-3244T	UL2812-3	1092	1499-1651	305	813	1118	762	711	940	1422-1575	1283	1016

All dimensions in millimeters.

ALL SPECIFICATIONS ARE SUBJECT TO CHANGE WITHOUT NOTICE.
© 1998, Ricon Corporation 6-18-98 32SL229.1M