

LIFT SPECIFICATIONS AND DIMENSIONS

UNI-LITE™

AUTOMATIC WHEELCHAIR LIFTS

PERSONAL USE



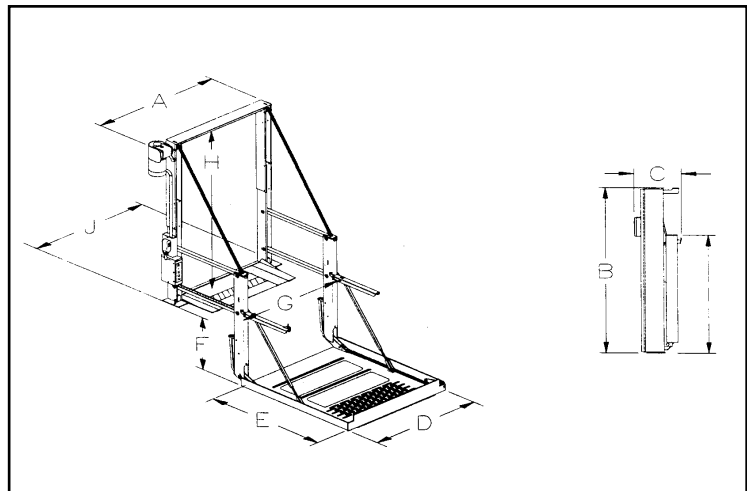
Power electro-hydraulic motor

Motor rating-12 volts DC 12 Volt DC, 63 Amp avg/cycle

Weight 160 lbs.

Rated load capacity 600 lbs.

Manual backup Speed-wrench operated



Model #	Part #	A Stationary frame width	B Height (folded)	C Installation depth (folded)	D Usable platform width	E Usable platform length	F Floor to ground travel 1. Stepwell	F Floor to ground travel 2. Flat Floor	G Traveling frame width	H Clear entry width	I Floor to end of platform folded	J Width Base Plate
U6-2636	UL2400-1	37	47-57	12	26	36	NA	24	31	44-54	42.5	34
	UL2401-1	37	47-57	12	26	36	NA	24	31	44-54	42.5	34
U6-2639	UL2802-1	37	47-57	12	26	39	30	28	31	44-54	45.5	34
	UL2803-1	37	47-57	12	26	39	30	28	31	44-54	45.5	34
U6-2644	UL2804-2	37	47-57	12	26	44	30	28	31	44-54	50.5	34
	UL2805-2	37	47-57	12	26	44	30	28	31	44-54	50.5	34
U6-2940	UL2806-2	40	50-57	12	29	40	30	28	34	47-54	46.5	37
	UL2807-2	40	50-57	12	29	40	30	28	34	47-54	46.5	37
U6-2940T	UL2806-3	40	59-65	12	29	40	30	28	34	56-62	46.5	37
	UL2807-3	40	59-65	12	29	40	30	28	34	56-62	46.5	37
U6-2944	UL2808-2	40	50-57	12	29	44	30	28	34	47-54	50.5	37
	UL-2809-2	40	50-57	12	29	44	30	28	34	47-54	50.5	37
U6-2944T	UL2808-3	40	59-65	12	29	44	30	28	34	56-62	50.5	37
	UL2809-3	40	59-65	12	29	44	30	28	34	56-62	50.5	37
U6-3240	UL2810-2	43	50-57	12	32	40	30	28	37	47-54	46.5	40
	UL2811-2	43	50-57	12	32	40	30	28	37	47-54	46.5	40
U6-3240T	UL2810-3	43	59-65	12	32	40	30	28	37	56-62	46.5	40
	UL2811-3	43	59-65	12	32	40	30	28	37	56-62	46.5	40
U6-3244	UL2812-2	43	50-57	12	32	44	30	28	37	47-54	50.5	40
	UL2813-2	43	50-57	12	32	44	30	28	37	47-54	50.5	40

All dimensions in inches.