

LIFT SPECIFICATIONS AND DIMENSIONS - FOREIGN

S-SERIES TRIMWAY™

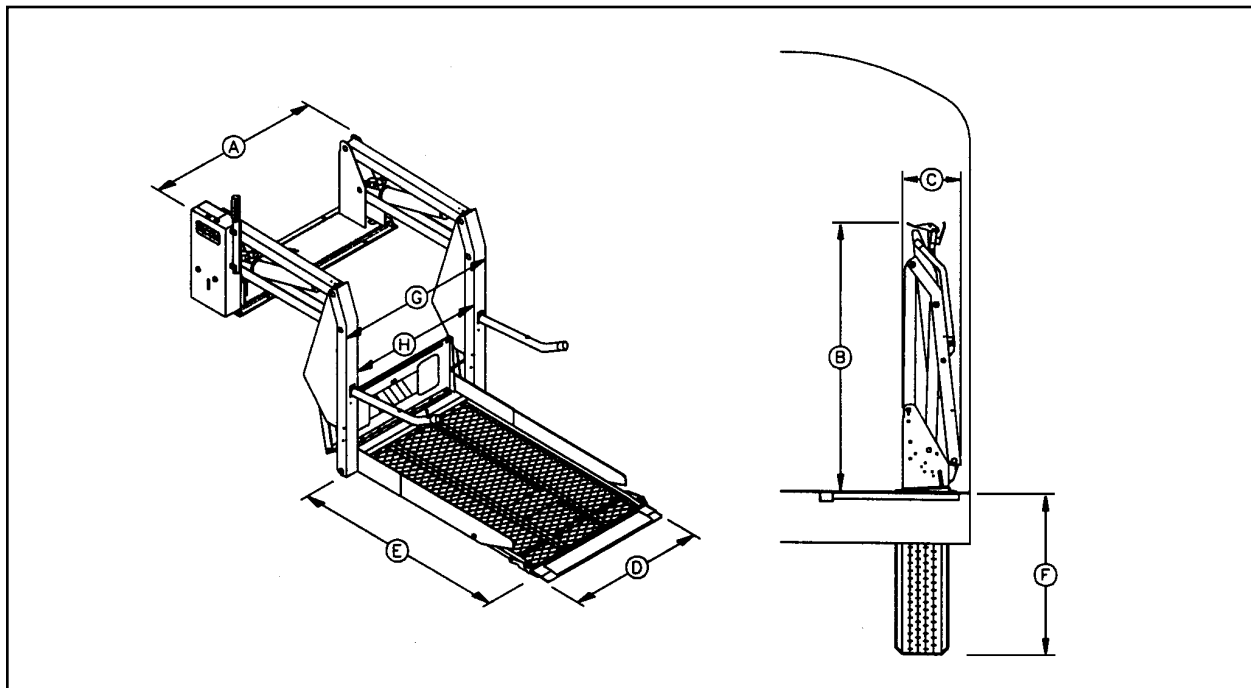
AUTOMATIC WHEELCHAIR LIFTS

PERSONAL USE LIFTS- Solid Platform



Power electro-hydraulic motor
 Pump rating-12 volts DC 65 amp. avg./cycle, 8.6 MPa
 Pump rating-24 volts DC 32.5 amp./cycle, 8.6 MPa
 Hydraulic cylinders 2, 38 mm, power-up/gravity-down

Rated load capacity 364 Kg
 Manual backup (up) manual hand pump
 Manual backup (down) manual pressure release valve
 Weight approx. 141- 148 Kg



Model	A Stationary frame width	B Height (folded)	C Installation depth (folded)	D Usable platform width	E Usable platform length	F Floor to ground travel	G Traveling frame width	H Clear entry width
S-1101	1143	1029	356	762	965	686	953	787
S-1200	1143	1181	356	762	1118	787	953	787

All dimensions in millimeters.