

# LIFT SPECIFICATIONS AND DIMENSIONS

## S-SERIES TRIMWAY™

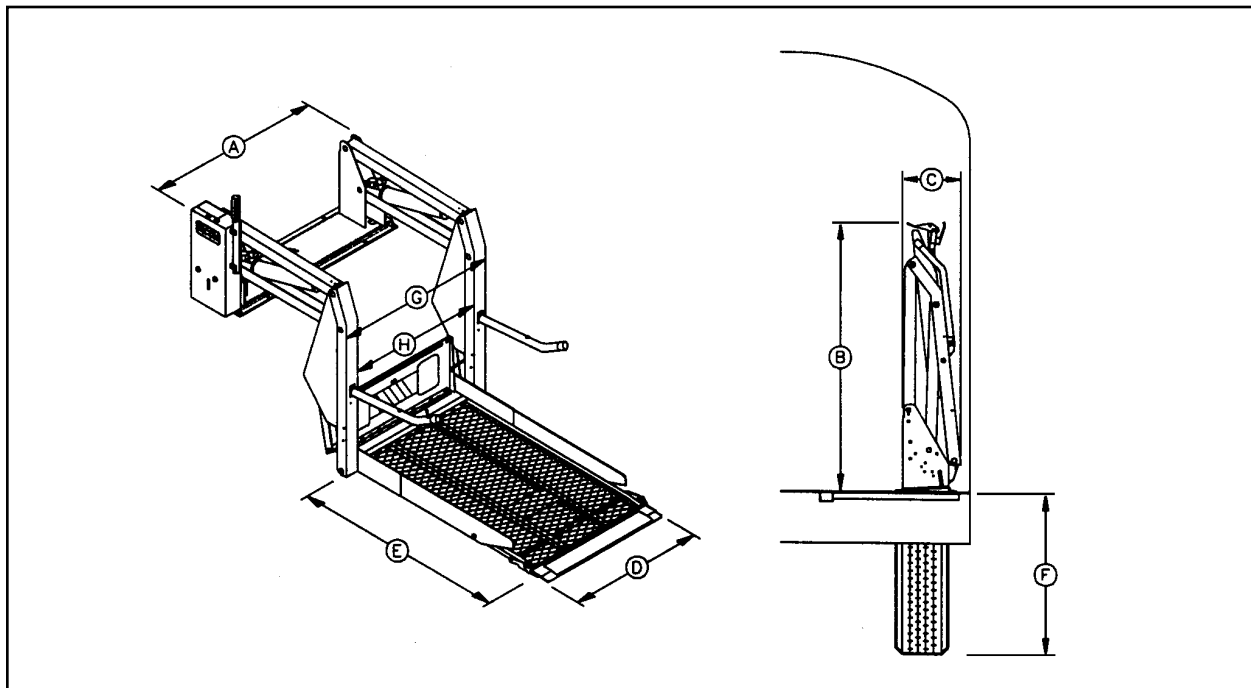
### AUTOMATIC WHEELCHAIR LIFTS

### PERSONAL USE LIFTS- Solid Platform



Power ..... electro-hydraulic motor  
 Pump rating-12 volts DC ..... .65 amp. avg./cycle, 1250 psi  
 Pump rating-24 volts DC ..... .32.5 amp./cycle, 1250 psi  
 Hydraulic cylinders ..... .2, 1.5", power-up/gravity-down

Rated load capacity ..... .800 lbs.  
 Manual backup (up) ..... .manual hand pump  
 Manual backup (down) ..... .manual pressure release valve  
 Weight ..... .approx. 310 - 325 lbs.



Model	A Stationary frame width	B Height (folded)	C Installation depth (folded)	D Usable platform width	E Usable platform length	F Floor to ground travel	G Traveling frame width	H Clear entry width
S-1101	45	40.5	14	30	38	27	37.5	31
S-1200	45	46.5	14	30	44	31	37.5	31

All dimensions in inches.