

# LIFT SPECIFICATIONS AND DIMENSIONS - FOREIGN

## S-SERIES CLEARWAY™

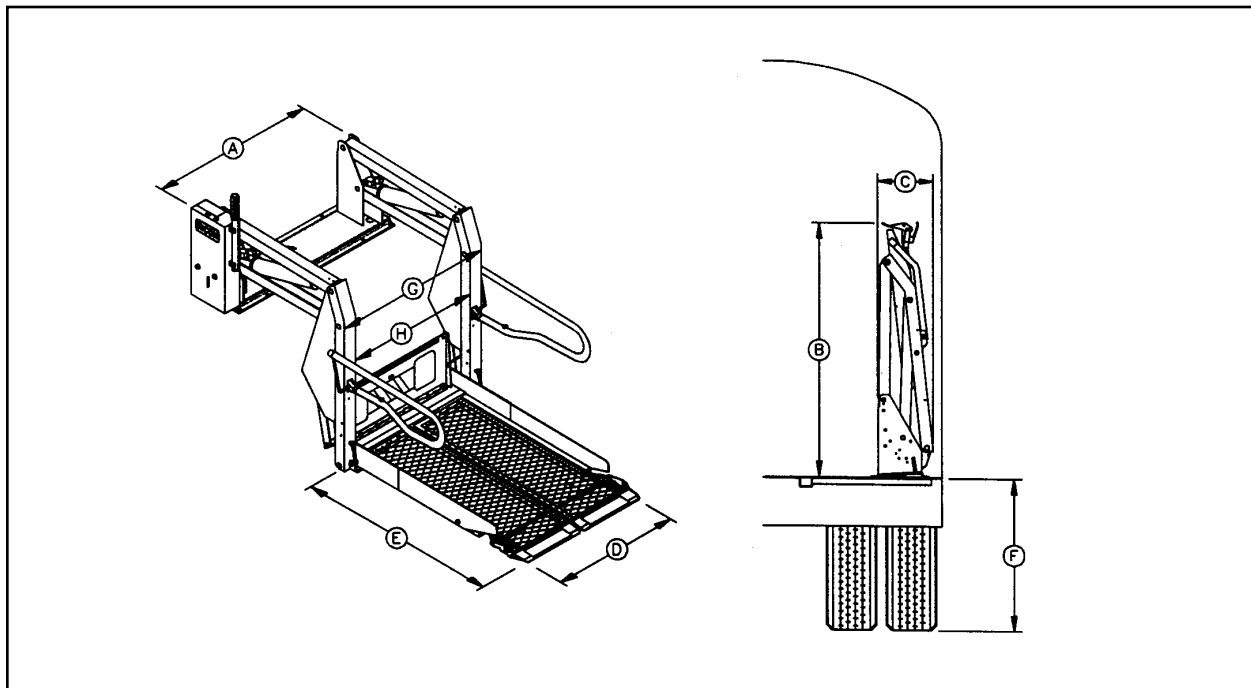
### AUTOMATIC WHEELCHAIR LIFTS

### TRANSIT USE LIFTS- Split Platform (export)



Power ..... electro-hydraulic motor  
 Pump rating-12 volts DC ..... 65 amp. avg./cycle, 8.6 MPa  
 Pump rating-24 volts DC ..... 32.5 amp./cycle, 8.6 MPa  
 Hydraulic cylinders ..... 2, 38 mm, power-up/gravity-down

Rated load capacity ..... 364 Kg  
 Manual backup (up) ..... manual hand pump  
 Manual backup (down) ..... manual pressure release valve  
 Weight ..... approx. 155 - 168 Kg



Model	A Stationary frame width	B Height (folded)	C Installation depth (folded)	D Usable platform width	E Usable platform length	F Floor to ground travel	G Traveling frame width	H Clear entry width
S-2030	1143	1397	546	762	1219	1067	1067	787
S-5030	1143	1467	546	762	1219	1219	1067	787

All dimensions in millimeters.