

LIFT SPECIFICATIONS AND DIMENSIONS

S-SERIES CLEARWAY™

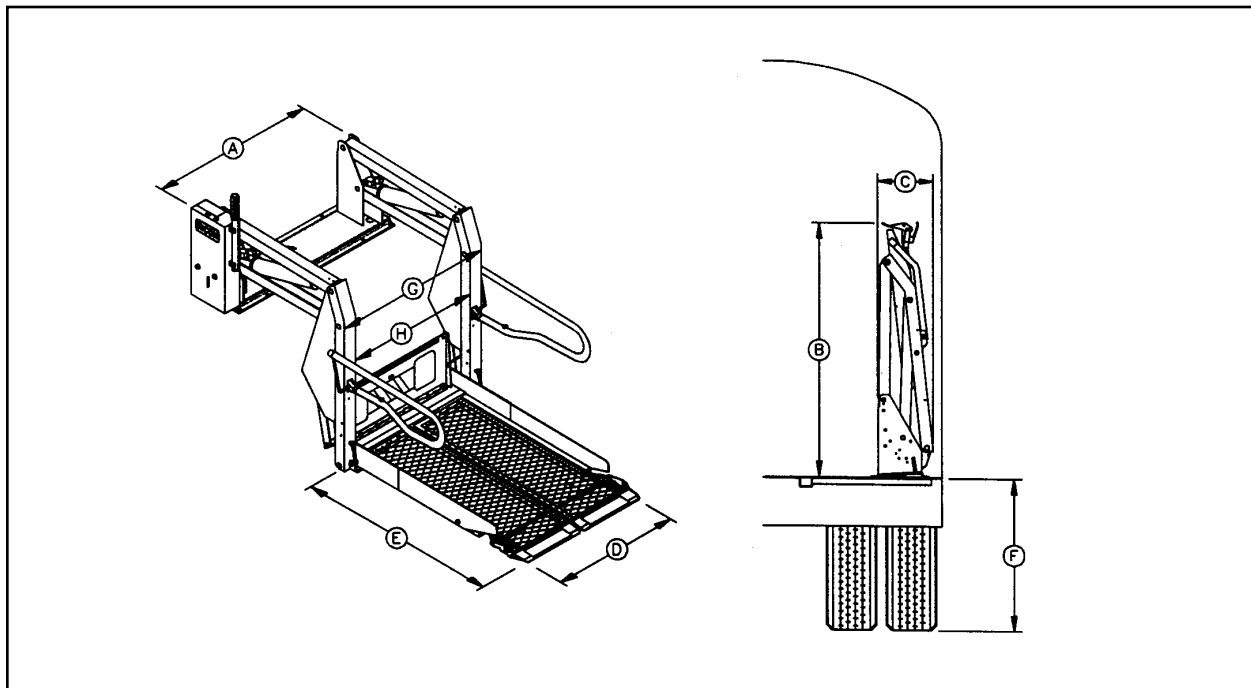
AUTOMATIC WHEELCHAIR LIFTS

TRANSIT USE LIFTS- Split Platform (export)



Powerelectro-hydraulic motor
 Pump rating-12 volts DC65 amp. avg./cycle, 1250 psi
 Pump rating-24 volts DC32.5 amp./cycle, 1250 psi
 Hydraulic cylinders2, 1.5", power-up/gravity-down

Rated load capacity800 lbs.
 Manual backup (up)manual hand pump
 Manual backup (down)manual pressure release valve
 Weightapprox. 340 - 370 lbs.



Model	A Stationary frame width	B Height (folded)	C Installation depth (folded)	D Usable platform width	E Usable platform length	F Floor to ground travel	G Traveling frame width	H Clear entry width
S-2030	45	55.00	21.5	30	48	42	42	31
S-5030	45	57.75	21.5	30	48	48	42	31

All dimensions in inches.