

LIFT SPECIFICATIONS AND DIMENSIONS - FOREIGN

S-SERIES CLEARWAY™

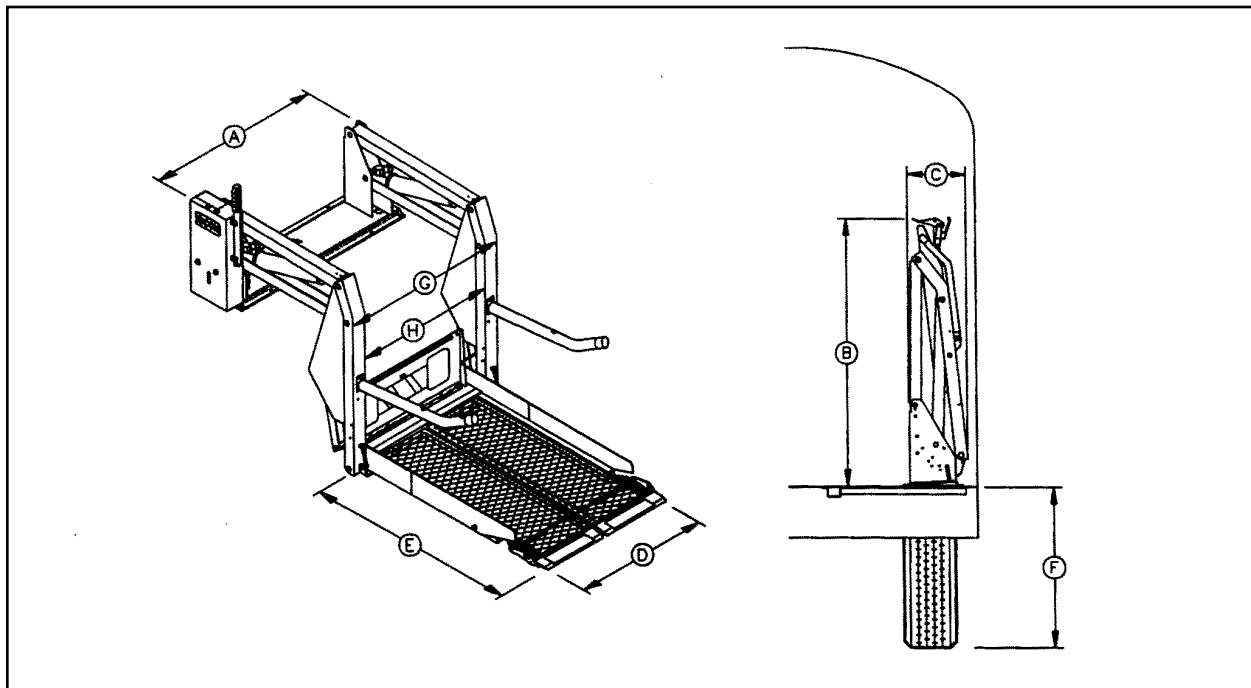
AUTOMATIC WHEELCHAIR LIFTS

PERSONAL USE LIFTS- Split Platform



Power electro-hydraulic motor
 Pump rating-12 volts DC 65 amp. avg./cycle, 8.6 MPa
 Pump rating-24 volts DC 32.5 amp./cycle, 8.6 MPa
 Hydraulic cylinders 2, 38 mm, power-up/gravity-down

Rated load capacity 364 Kg
 Manual backup (up) manual hand pump
 Manual backup (down) manual pressure release valve
 Weight approx. 136 - 148 Kg



Model	A Stationary frame width	B Height (folded)	C Installation depth (folded)	D Usable platform width	E Usable platform length	F Floor to ground travel	G Traveling frame width	H Clear entry width
S-1132	1041	1029	495	660	965	686	851	686
S-1133	1143	1029	546	762	965	686	953	787
S-1231	1143	1130	546	762	1067	787	953	787

All dimensions in millimeters.