

LIFT SPECIFICATIONS AND DIMENSIONS

S-SERIES™

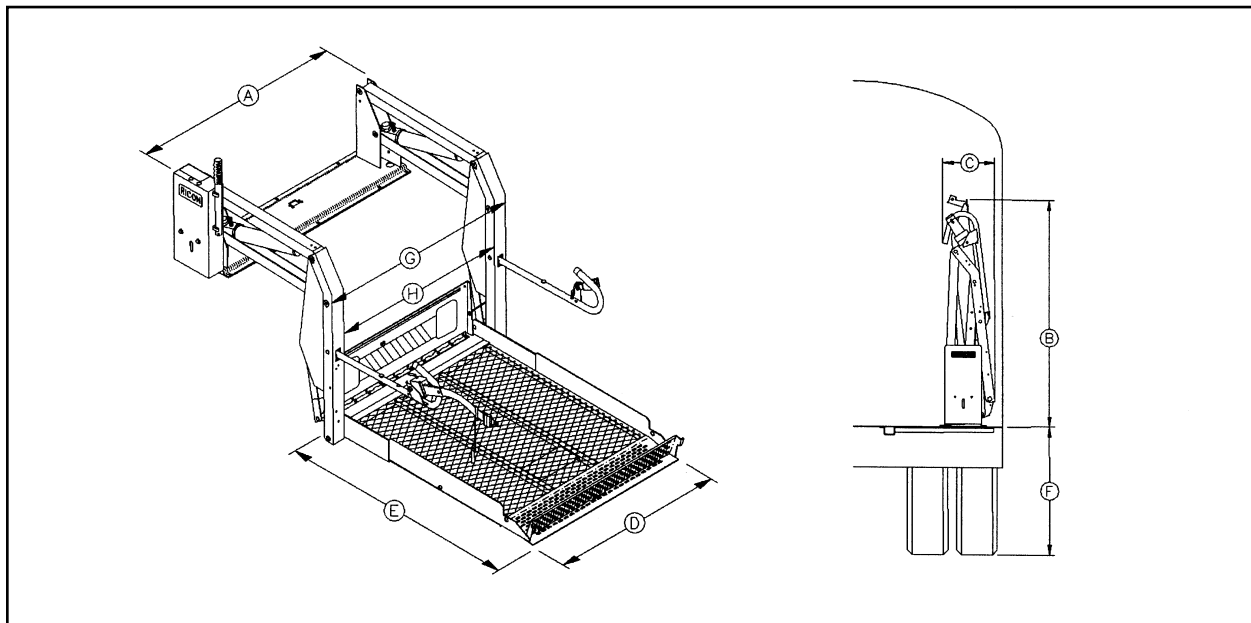
AUTOMATIC WHEELCHAIR LIFTS

TRANSIT USE LIFTS- A.D.A. with Manual Rollstop



Powerelectro-hydraulic motor
 Pump rating-12 volts DC65 amp. avg./cycle, 1250 psi
 Pump rating-24 volts DC32.5 amp./cycle, 1250 psi
 Hydraulic cylinders2, 1.5", power-up/gravity-down

Rated load capacity800 lbs.
 Manual backup (up)manual hand pump
 Manual backup (down)manual pressure release valve
 Weightapprox. 350 - 380 lbs.



Model	A Stationary frame width	B Height (folded)	C Installation depth (folded)	D Usable platform width	E Usable platform length	F Floor to ground travel	G Traveling frame width	H Clear entry width
S-2006-ADA	54.5	58.25	14	39.5	48	42	47	40.5
S-5006-ADA	54.5	58.50	14	39.5	48	48	47	40.5

All dimensions in inches.