

LIFT SPECIFICATIONS AND DIMENSIONS - FOREIGN

S-SERIES™

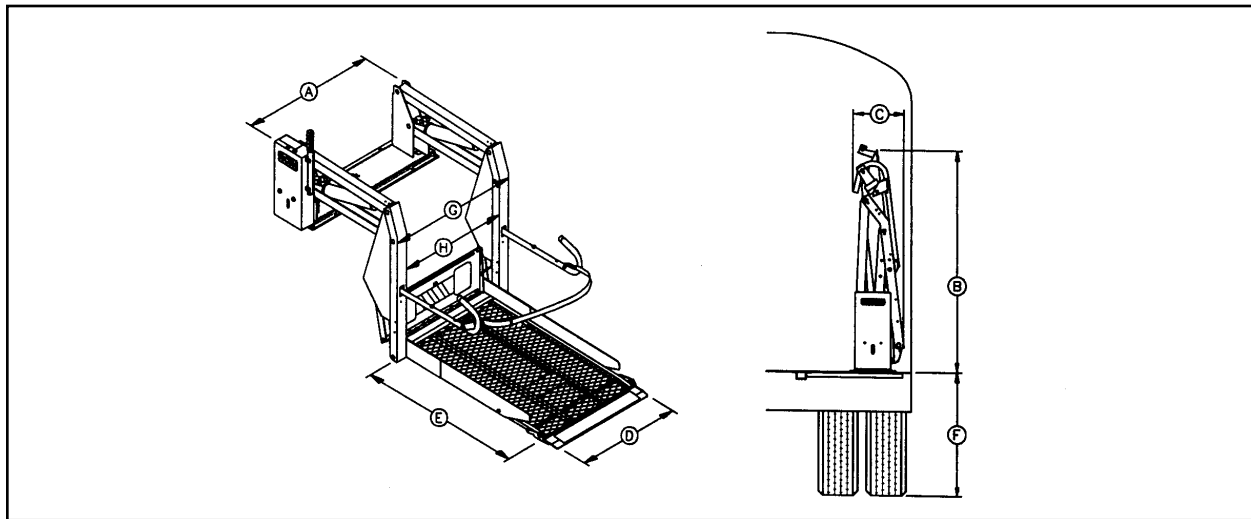
AUTOMATIC WHEELCHAIR LIFTS TRANSIT USE LIFTS- A.D.A.



Innovation in Mobility

Power electro-hydraulic motor
 Pump rating-12 volts DC 65 amp. avg./cycle, 8.6 MPa
 Pump rating-24 volts DC 32.5 amp./cycle, 8.6 MPa
 Hydraulic cylinders 2, 38 mm, power-up/gravity-down

Rated load capacity 364 Kg
 Manual backup (up) manual hand pump
 Manual backup (down) manual pressure release valve
 Weight approx. 155 - 168 Kg



Model	A Stationary frame width	B Height (folded)	C Installation depth (folded)	D Usable platform width	E Usable platform length	F Floor to ground travel	G Traveling frame width	H Clear entry width
S-2003-ADA	1143	1397	356	762	1295	1067	953	787
S-2005-ADA	1194	1397	356	813	1295	1067	1003	838
S-2007-ADA	1143	1397	356	762	1219	1067	953	787
S-2008-ADA	1194	1397	356	813	1219	1067	1003	838
S-2010-ADA	1245	1454	356	863	1372	1067	1054	889
S-5003-ADA	1143	1467	356	762	1295	1219	953	787
S-5005-ADA	1194	1467	356	813	1295	1219	1003	838
S-5007-ADA	1143	1467	356	762	1219	1219	953	787
S-5008-ADA	1194	1467	356	813	1219	1219	1003	838

All dimensions in millimeters.