

# LIFT SPECIFICATIONS AND DIMENSIONS

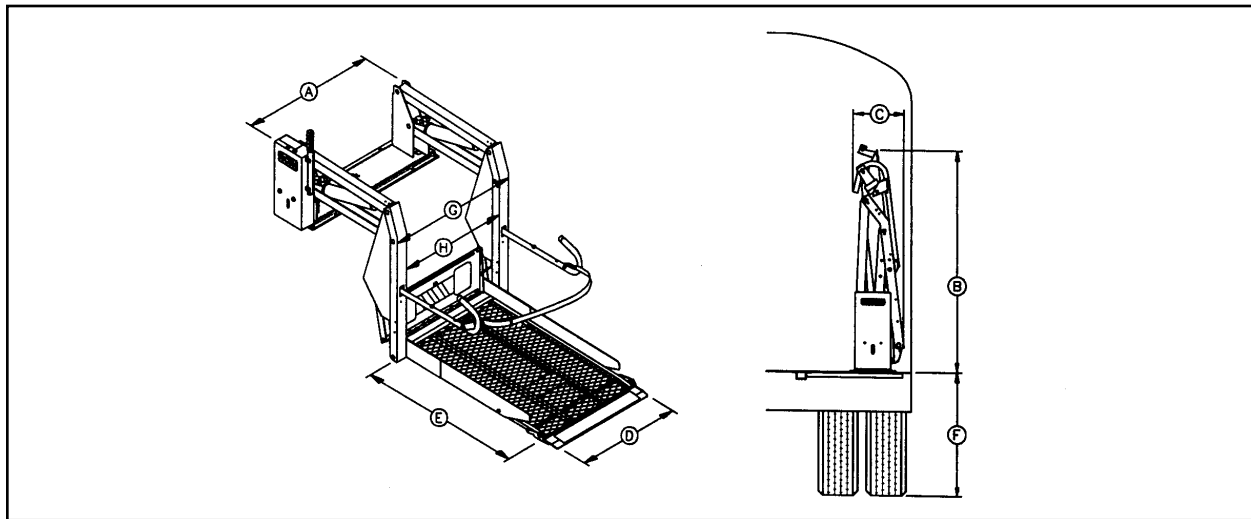
## S-SERIES™

### AUTOMATIC WHEELCHAIR LIFTS TRANSIT USE LIFTS- A.D.A.



Power ..... electro-hydraulic motor  
 Pump rating-12 volts DC ..... .65 amp. avg./cycle, 1250 psi  
 Pump rating-24 volts DC ..... .32.5 amp./cycle, 1250 psi  
 Hydraulic cylinders ..... .2, 1.5", power-up/gravity-down

Rated load capacity ..... .800 lbs.  
 Manual backup (up) ..... .manual hand pump  
 Manual backup (down) ..... .manual pressure release valve  
 Weight ..... .approx. 340 - 370 lbs.



Model	A Stationary frame width	B Height (folded)	C Installation depth (folded)	D Usable platform width	E Usable platform length	F Floor to ground travel	G Traveling frame width	H Clear entry width
S-2003-ADA	45	55.00	14	30	51	42	37.5	31
S-2005-ADA	47	55.00	14	32	51	42	39.5	33
S-2007-ADA	45	55.00	14	30	48	42	37.5	31
S-2008-ADA	47	55.00	14	32	48	42	39.5	33
S-2010-ADA	49	57.25	14	34	54	42	41.5	35
S-5003-ADA	45	57.75	14	30	51	48	37.5	31
S-5005-ADA	47	57.75	14	32	51	48	39.5	33
S-5007-ADA	45	57.75	14	30	48	48	37.5	31
S-5008-ADA	47	57.75	14	32	48	48	39.5	33

All dimensions in inches.