

# LIFT SPECIFICATIONS AND DIMENSIONS - FOREIGN

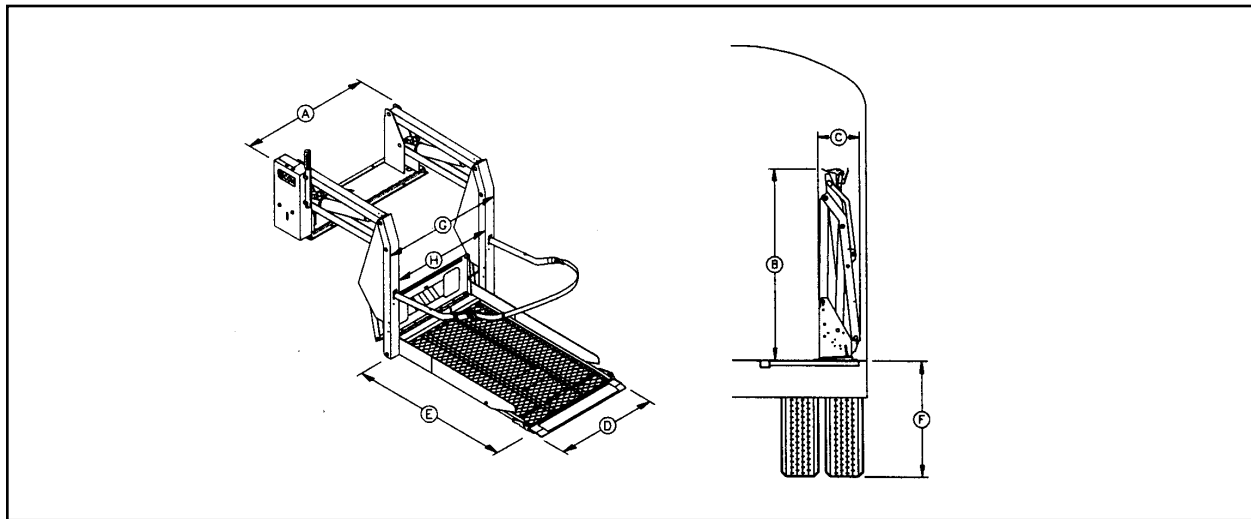
## S-SERIES™

### AUTOMATIC WHEELCHAIR LIFTS TRANSIT USE LIFTS- Non A.D.A.



Power ..... electro-hydraulic motor  
 Pump rating-12 volts DC ..... 65 amp. avg./cycle, 8.6 MPa  
 Pump rating-24 volts DC ..... 32.5 amp. avg./cycle, 8.6 MPa  
 Hydraulic cylinders ..... 2, 38 mm, power-up/gravity-down

Rated load capacity ..... 364 Kg  
 Manual backup (up) ..... manual hand pump  
 Manual backup (down) ..... manual pressure release valve  
 Weight ..... approx. 148 - 168 Kg



Model	A Stationary frame width	B Height (folded)	C Installation depth (folded)	D Usable platform width	E Usable platform length	F Floor to ground travel	G Traveling frame width	H Clear entry width
S-2000	1143	1232	356	762	1118	1067	953	787
S-2003	1143	1372	356	762	1295	1067	953	787
S-2004	1194	1232	356	813	1118	1067	1003	838
S-2005	1194	1372	356	813	1295	1067	1003	838
S-2007	1143	1295	356	762	1219	1067	953	787
S-2008	1194	1295	356	813	1219	1067	1003	838
S-5003	1143	1359	356	762	1295	1219	953	787
S-5005	1194	1359	356	813	1295	1219	1003	838
S-5007	1143	1321	356	762	1219	1219	953	787
S-5008	1194	1321	356	813	1219	1219	1003	838

All dimensions in millimeters.