

LIFT SPECIFICATIONS AND DIMENSIONS

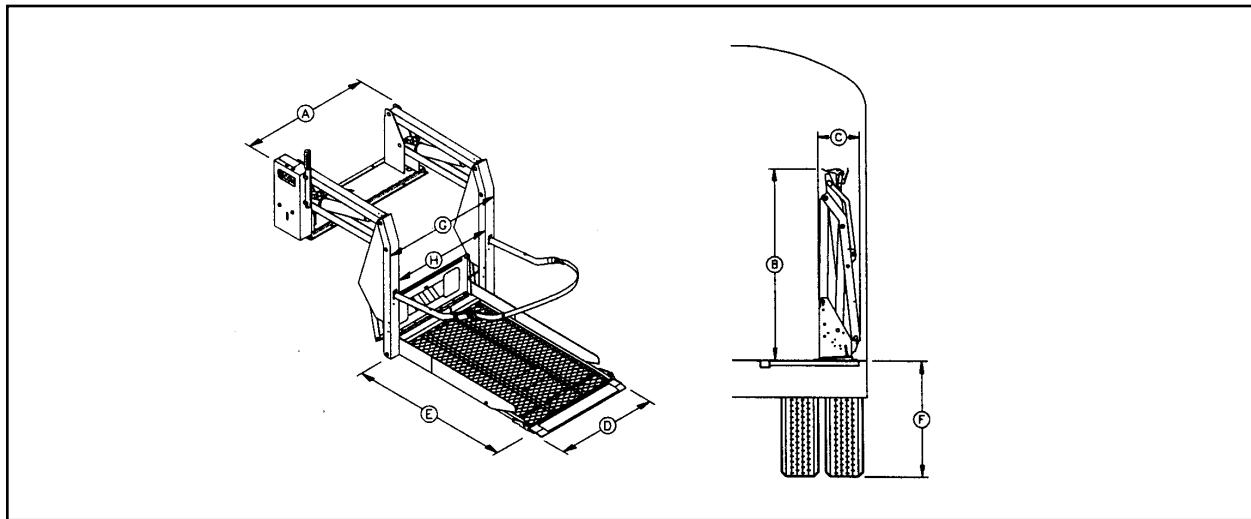
S-SERIES™

AUTOMATIC WHEELCHAIR LIFTS TRANSIT USE LIFTS- Non A.D.A.



Power electro-hydraulic motor
 Pump rating-12 volts DC65 amp. avg./cycle, 1250 psi
 Pump rating-24 volts DC32.5 amp. avg./cycle, 1250 psi
 Hydraulic cylinders2, 1.5", power-up/gravity-down

Rated load capacity800 lbs.
 Manual backup (up)manual hand pump
 Manual backup (down)manual pressure release valve
 Weightapprox. 325 - 370 lbs.



Model	A Stationary frame width	B Height (folded)	C Installation depth (folded)	D Usable platform width	E Usable platform length	F Floor to ground travel	G Traveling frame width	H Clear entry width
S-2000	45	48.5	14	30	44	42	37.5	31
S-2003	45	54.0	14	30	51	42	37.5	31
S-2004	47	48.5	14	32	44	42	39.5	33
S-2005	47	54.0	14	32	51	42	39.5	33
S-2007	45	51.0	14	30	48	42	37.5	31
S-2008	47	51.0	14	32	48	42	39.5	33
S-5003	45	53.5	14	30	51	48	37.5	31
S-5005	47	53.5	14	32	51	48	39.5	33
S-5007	45	52.0	14	30	48	48	37.5	31
S-5008	47	52.0	14	32	48	48	39.5	33

All dimensions in inches.